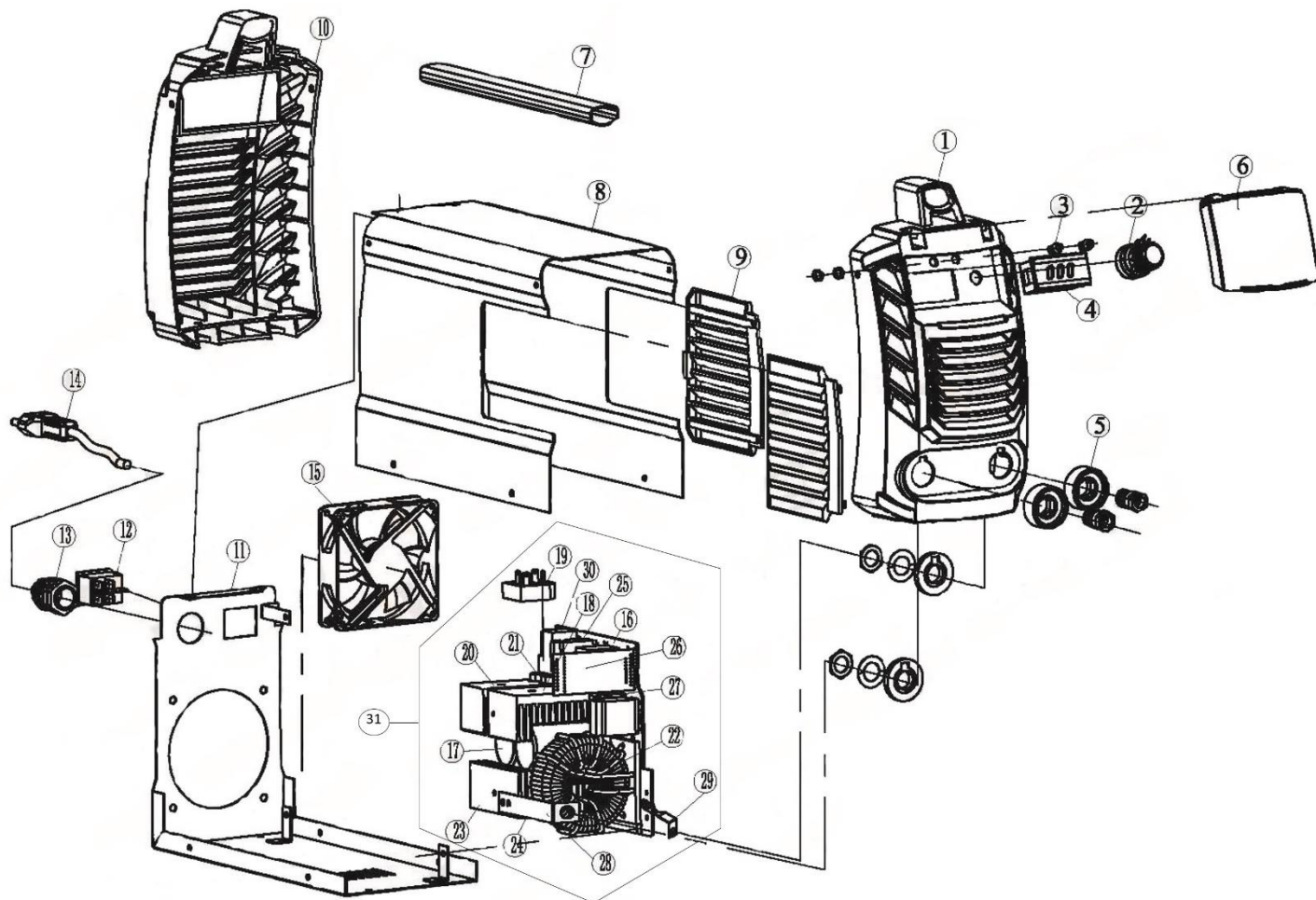


## Documentatie tehnica aparat de sudura AS 160M



| Nr.crt | Denumire produs | Product name      | Cod comanda  |
|--------|-----------------|-------------------|--------------|
| 1      | carcasa fata    | front panel       | psas160m-1-1 |
| 2      | potentiometru   | potentiometer     | psas160m-1-2 |
| 3      | indicator led   | indicator light   | psas160m-1-3 |
| 4      | display digital | digital displayer | psas160m-1-4 |
| 5      | conector mama   | plug              | psas160m-1-5 |
| 6      | capac           | gauge cover       | psas160m-1-6 |
| 7      | maner           | handle            | psas160m-1-7 |
| 8      | carcasa         | ilehs enihcam     | psas160m-1-8 |

## Producător motoutilaje

## Documentatie tehnică

|    |                        |                         |               |
|----|------------------------|-------------------------|---------------|
| 9  | capac ventilat         | ventilating window      | psas160m-1-9  |
| 10 | carcasa spate          | rear panel              | psas160m-1-10 |
| 11 | carcasa inferioara     | machine bottom          | psas160m-1-11 |
| 12 | comutator on/off       | power switch            | psas160m-1-12 |
| 13 | conector               | waterproff joint        | psas160m-1-13 |
| 14 | cablu alimentare       | power wire              | psas160m-1-14 |
| 15 | ventilator             | fan                     | psas160m-1-15 |
| 16 | placa de baza          | PCB                     | psas160m-1-16 |
| 17 | condensator            | capacitor               | psas160m-1-17 |
| 18 | radiator               | silicon bridge radiator | psas160m-1-18 |
| 19 | punte redresoare       | silicon bridge          | psas160m-1-19 |
| 20 | radiator tranzistor    | IGBT radiator           | psas160m-1-20 |
| 21 | tranzistor             | IGBT                    | psas160m-1-21 |
| 22 | transformator          | main transformer        | psas160m-1-22 |
| 23 | radiator               | rectifier radiator      | psas160m-1-23 |
| 24 | conexiune conector     | rectifier tube          | psas160m-1-24 |
| 25 | transformator          | driver transformer      | psas160m-1-25 |
| 26 | placa de baza          | control PCB             | psas160m-1-26 |
| 27 | condensator            | CBB                     | psas160m-1-27 |
| 28 | conector +             | positive connector      | psas160m-1-28 |
| 29 | conector -             | negative connector      | psas160m-1-29 |
| 30 | releu                  | relay                   | psas160m-1-30 |
| 31 | ansamblu placa de baza | PCB assy                | psas160m-1-31 |