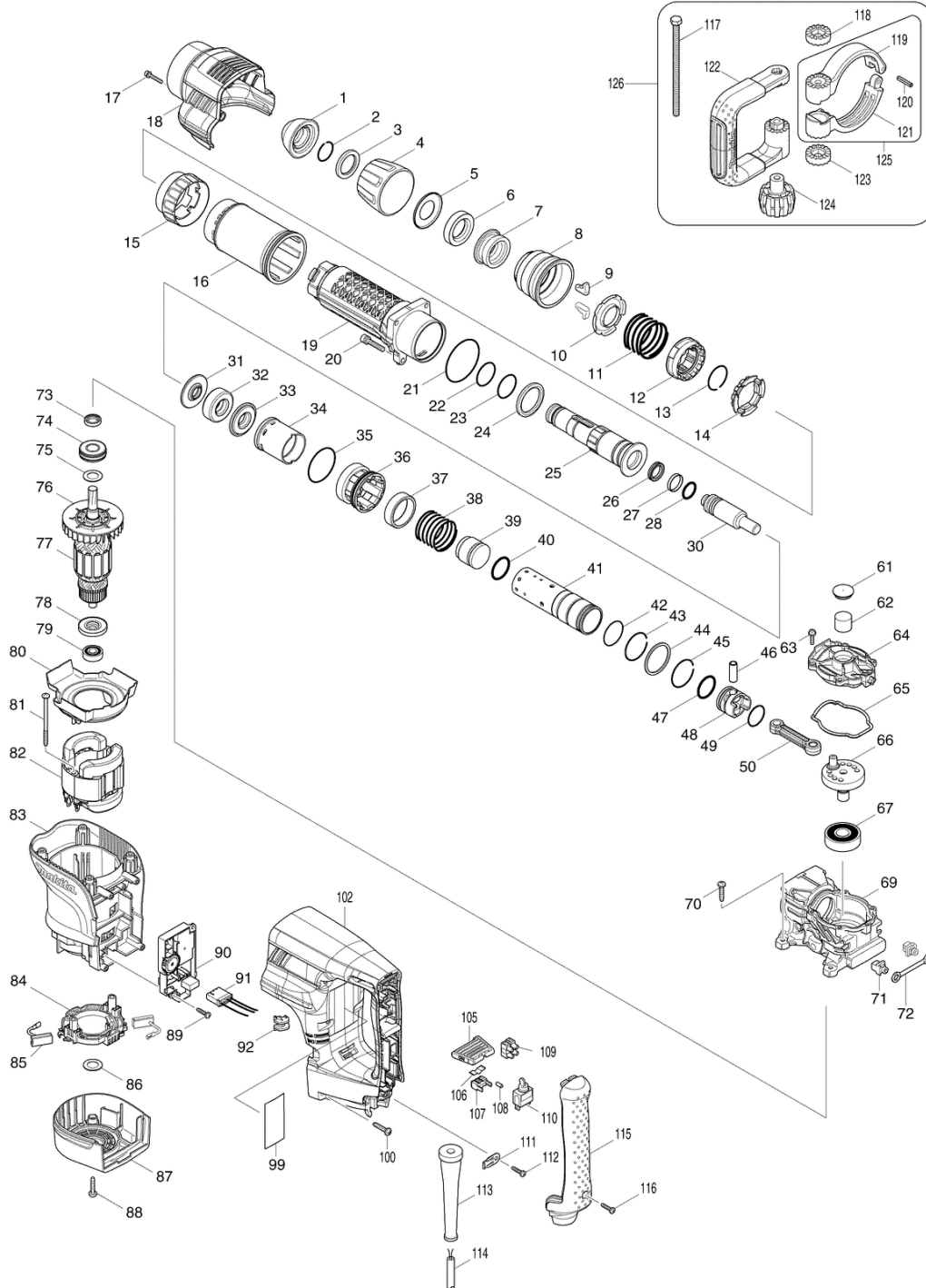




**Makita Service Information / Model: HM1101C**





## Makita Werkzeug Ges.m.b.H.

Airportstr. 4, 2401 Fischamend

Tel: 02232 / 777 00

Fax: 02232 / 777 00 - 40

Mail: [verkauf@makita.at](mailto:verkauf@makita.at)

Web: [www.makita.at](http://www.makita.at)

### Makita Service Information / Model: HM1101C

POS	Bestell-Nr.	Artikelbeschreibung	Stk.	Stk.Preis
1	286285-4	VIEČKO DRŽIAKA NÁSTROJA	1	N/A
2	233948-3	KRÚŽOK PRUŽNÝ 25	1	N/A
3	257308-5	RING	1	N/A
4	450064-8	KRYT HLAVY	1	N/A
5	346247-5	CUP WASHER 28	1	N/A
6	262161-6	KRÚŽOK GUMENÝ 28 HM1101C/HM1111C	1	N/A
7	324752-2	KRÚŽOK VYMEDZOVACÍ	1	N/A
8	451836-4	Release Cover	1	N/A
9	310178-4	POISTKA NÁSTROJA	2	N/A
10	345804-6	PLATNIČKA ZAISTOVACIA	1	N/A
11	234180-2	COMPRESSION SPRING 47	1	N/A
12	313193-7	CHANGE RING	1	N/A
13	233982-3	RING SPRING 33	1	N/A
14	325904-8	LOCK RING	1	N/A
15	451842-9	CHANGE RING COVER	1	N/A
16	451835-6	BARREL COVER	1	N/A
17	922148-7	INBUSOVÁ SKRUTKA M4x25	1	N/A
18	451849-5	CRANK HOUSING COVER	1	N/A
19	140411-8	VALEC HM1101C/HM1111C	1	N/A
20	922353-6	INBUŠOVÁ SKRUTKA	4	N/A
21	213654-6	O-KRÚŽOK 60	1	N/A
22	213492-6	O-KRÚŽOK 32 NA HR5201C/5210C/5211C	1	N/A
23	213492-6	O-KRÚŽOK 32 NA HR5201C/5210C/5211C	1	N/A
24	262135-7	KRÚŽOK POLIURETÁN 36	1	N/A
25	325901-4	DRŽIAK NÁSTROJA HM1101C/HM1111C	1	N/A
26	213281-9	X-KRÚŽOK 18	1	N/A
27	213392-0	FLUORIDOVÝ KRÚŽOK 25 HR4000C	1	N/A
28	213317-4	O-KRÚŽOK 20 HR4000C/HR4500C	1	N/A
30	325902-2	ÚDERNÍK HM1101C/HM1111C	1	N/A
31	325903-0	COLLARED SLEEVE 19	1	N/A
32	422053-3	KRÚŽOK GUMENÝ 20 HM1101C/HM1111C	1	N/A
33	325903-0	COLLARED SLEEVE 19	1	N/A
34	412096-3	VENTIL HM1101C/HM1111C	1	N/A
35	213606-7	O-KRÚŽOK 48	1	N/A
36	318604-7	CYLINDER GUIDE	1	N/A
37	313194-5	KRÚŽOK 39 HM1101C/HM1111C	1	N/A
38	234178-9	COMPRESSION SPRING 40	1	N/A
39	325905-6	STRIKER	1	N/A
40	213536-2	O-KRÚŽOK 27 HM1101C	1	N/A
41	331892-9	VALEC 35 HM1101C/HM1111C	1	N/A



## Makita Werkzeug Ges.m.b.H.

Airportstr. 4, 2401 Fischamend

Tel: 02232 / 777 00

Fax: 02232 / 777 00 - 40

Mail: verkauf@makita.at

Web: www.makita.at

### Makita Service Information / Model: HM1101C

POS	Bestell-Nr.	Artikelbeschreibung	Stk.	Stk.Preis
42	213458-6	O-KRÚŽOK 34 HP2000/HP2010/DA3	1	N/A
43	233981-5	KRÚŽOK PRUŽNÝ 38 HM1101C/HM1111C	1	N/A
44	267423-7	PODLOŽKA 40 HM1101C/HM1111C	1	N/A
45	233981-5	KRÚŽOK PRUŽNÝ 38 HM1101C/HM1111C	1	N/A
46	331911-1	RÚRA 10 HM1101C/HM1111C	1	N/A
47	213536-2	O-KRÚŽOK 27 HM1101C	1	N/A
48	451833-0	PIEST HM1101C/HM1111C	1	N/A
49	213415-4	O-KRÚŽOK 28 HM1100C/1140/9403	1	N/A
50	451834-8	OJNICA	1	N/A
61	424311-3	FILTER CAP	1	N/A
62	443127-7	FILTER HR3530/HM1203C	1	N/A
63	911133-5	SKRUTKA M4x18	5	N/A
64	451838-0	CRANK CAP	1	N/A
65	424312-1	SEAL RING	1	N/A
66	325899-5	KLUKOVKA HM1101C/HM1111C	1	N/A
67	211279-0	LOŽISKO GULIČKOVÉ 6303LLU	1	N/A
69	140408-7	CRANK HOUSING ASS'Y	1	N/A
70	266041-8	SKRUTKA SAMOREZNÁ 5X25 HR2010	4	N/A
71	419008-7	FIXACNE PUZDRO	2	N/A
72	423345-3	PLATNICKA PLASTOVA HR4011C	1	N/A
73	213133-4	SIMMEROV KRÚŽOK 12	1	N/A
74	211295-2	LOŽISKO GULIČKOVÉ HM1101C/HM1111C	1	N/A
75	267215-4	PODLOŽKA 15 BTW/BTD200SH/GA70	1	N/A
76	241908-1	KOLESO VENTILÁTORA 80 9047F/SF	1	N/A
77	517858-5	KOTVA ÚPLNÁ 220-240V HM1101C	1	N/A
77		*** INC. 74-76,78,79		N/A
78	681642-5	IZOLACNA PODLOZKA	1	N/A
79	210059-1	LOŽISKO GULIČKOVÉ 6000DDW	1	N/A
80	451837-2	DOSKA ODKLONU VZDUCHU HM1101C/1111C	1	N/A
81	266568-8	TAPPING SCREW 5x80	2	N/A
82	623418-4	STATOR 220-240V HM1101C	1	N/A
83	451840-3	KRYT MOTORA HM1101C/HM1111C	1	N/A
84	638700-8	DRŽIAK UHLÍKOV	1	N/A
85	194412-8	UHLÍKY CB-171	1	N/A
85.2	195844-2	UHLÍKY CB-175	1	N/A
86	267215-4	PODLOŽKA 15 BTW/BTD200SH/GA70	1	N/A
87	451839-8	REAR COVER	1	N/A
88	266041-8	SKRUTKA SAMOREZNÁ 5X25 HR2010	2	N/A
89	265995-6	SKRUTKA SAMOREZNÁ 4x18	2	N/A
89.2	266300-0	TAPPING SCREW 4x18	2	N/A



## Makita Werkzeug Ges.m.b.H.

Airportstr. 4, 2401 Fischamend

Tel: 02232 / 777 00

Fax: 02232 / 777 00 - 40

Mail: verkauf@makita.at

Web: www.makita.at

### Makita Service Information / Model: HM1101C

POS	Bestell-Nr.	Artikelbeschreibung	Stk.	Stk.Preis
90	631966-9	REG.ELEKTRONIKA HM1101C	1	N/A
91	638718-9	LEAD UNIT	1	N/A
92	450240-4	ŠOŠOVKA HR3200C	1	N/A
99	868072-9	HM1101C NAME PLATE	1	N/A
100	266041-8	SKRUTKA SAMOREZNÁ 5X25 HR2010	6	N/A
102	140410-0	HANDLE COMPLETE	1	N/A
105	450897-1	SLIDE LEVER	1	N/A
106	232209-8	PERO LISTOVÉ HM0860C	1	N/A
107	450891-3	LEVER STOPPER	1	N/A
108	263027-3	KOLÍK GUMENÝ 4 HM0860C/HR4010C	1	N/A
109	654531-7	SVORKOVNICA HT-345	1	N/A
110	651418-4	VYPINAC ST115A-40, 430S-4341T,9541-9565	1	N/A
111	687169-3	DRŽIAK KÁBLA HP1620/1621	1	N/A
112	265995-6	SKRUTKA SAMOREZNÁ 4x18	1	N/A
113	682560-0	CHRÁNIČ ŠNÚRY 10	1	N/A
114	695123-3	KÁBEL	1	N/A
115	451841-1	HANDLE COVER	1	N/A
116	265995-6	SKRUTKA SAMOREZNÁ 4x18	1	N/A
117	265439-6	SKRUTKA M8x150	1	N/A
118	417002-3	VACKA PRIDAVNEJ RUKOVÄTE	1	N/A
119	317282-0	SIDE HANDLE BASE 68A	1	N/A
120	951166-8	PRUŽNÝ KOLÍK 5-24 951166-8	1	N/A
121	317283-8	SIDE HANDLE BASE 68B	1	N/A
122	417003-1	PRIDAVNA RUKOVÄT HM1213C	1	N/A
123	417002-3	VACKA PRIDAVNEJ RUKOVÄTE	1	N/A
124	252640-2	MATICA KRÍDLOVÁ M8	1	N/A
125	151769-0	PRIDAVNÁ RUKOVÄT 68 KPL.	1	N/A
125		*** INC. 119-121		N/A
126	134890-0	SIDE HANDLE 68 ASS'Y	1	N/A
126		*** INC. 117-124		N/A
1001	A-80787	BULL POINT 280 SDS-MAX	1	N/A
1002	194683-7	GREASE VESSEL SET	1	N/A
1003	443122-7	UTIERKA HR4011C	1	N/A
1004	140562-7	PLASTIC CASE COMPLETE	1	N/A
1005	819926-3	HM1101C PLASTIC CASE LABEL	2	N/A