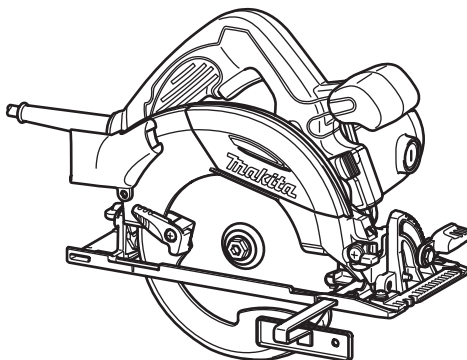




EN	Circular Saw	INSTRUCTION MANUAL	6
UK	Циркулярна пила	ІНСТРУКЦІЯ З ЕКСПЛУАТАЦІЇ	11
PL	Ręczna Pilarka Tarczowa	INSTRUKCJA OBSŁUGI	17
RO	Ferăstrău circular	MANUAL DE INSTRUCȚIUNI	23
DE	Handkreissäge	BEDIENUNGSANLEITUNG	29
HU	Körfűrész	HASZNÁLATI KÉZIKÖNYV	35
SK	Kotúčová píla	NÁVOD NA OBSLUHU	41
CS	Okružní píla	NÁVOD K OBSLUZE	47

HS6100
HS6101
HS7100
HS7101



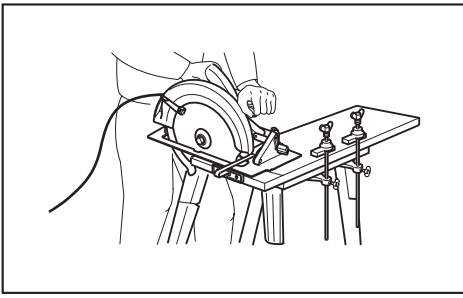


Fig.1

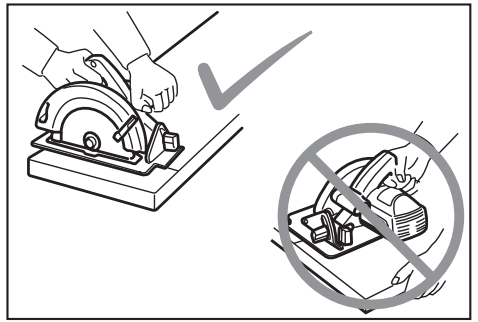


Fig.5

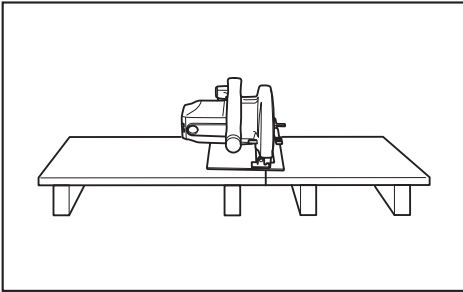


Fig.2

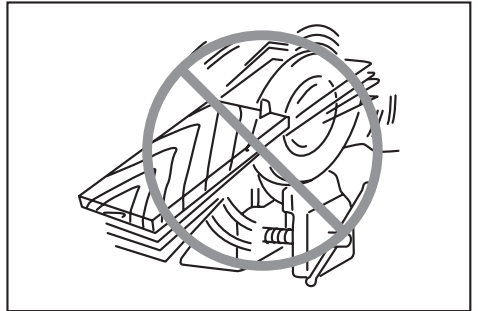


Fig.6

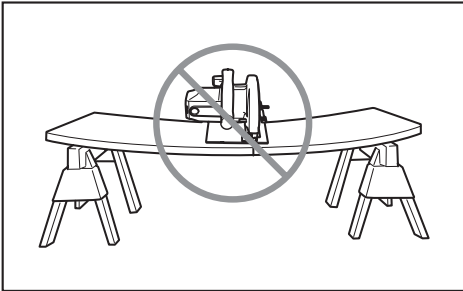


Fig.3

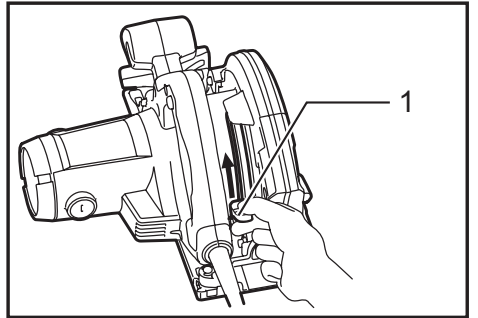


Fig.7

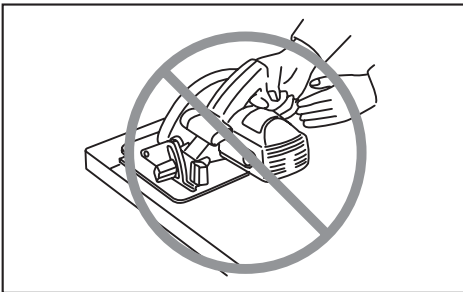


Fig.4

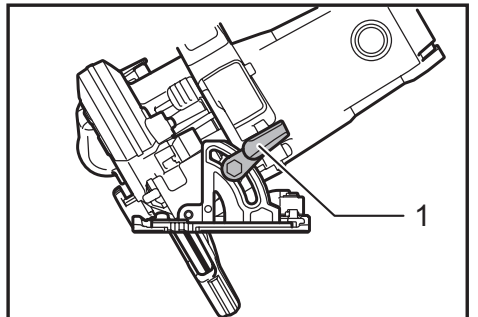


Fig.8

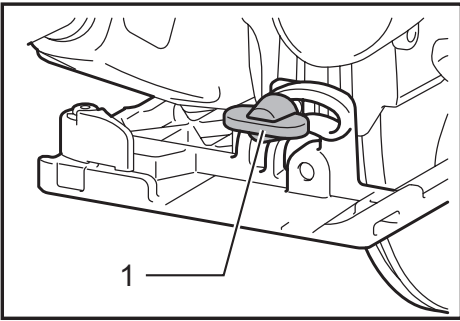


Fig.9

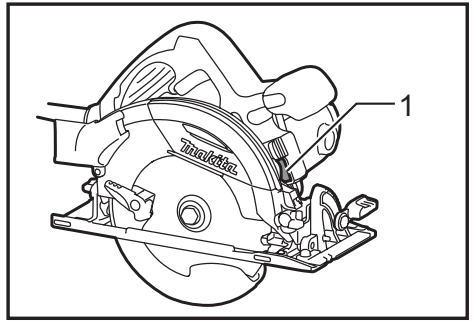


Fig.13

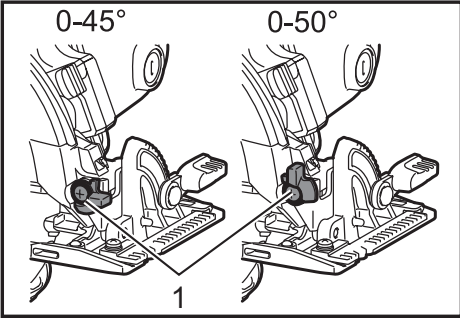


Fig.10

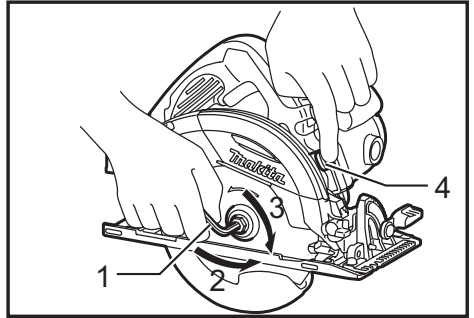


Fig.14

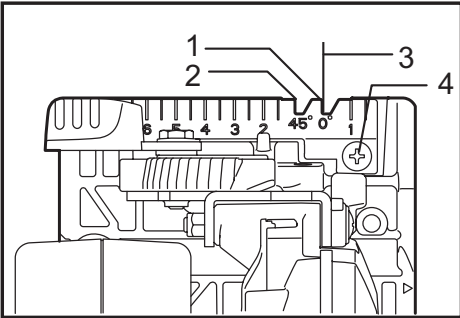


Fig.11

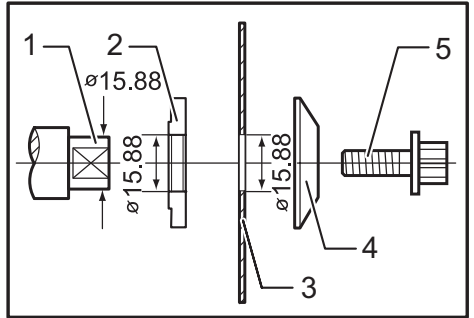


Fig.15

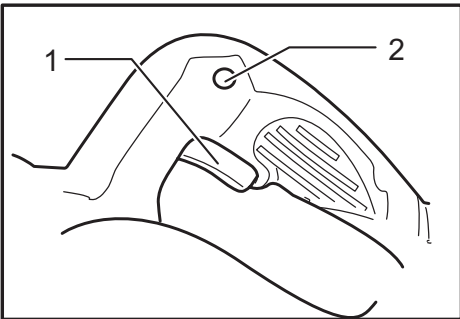


Fig.12

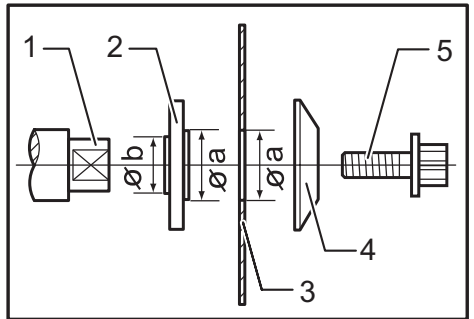


Fig.16

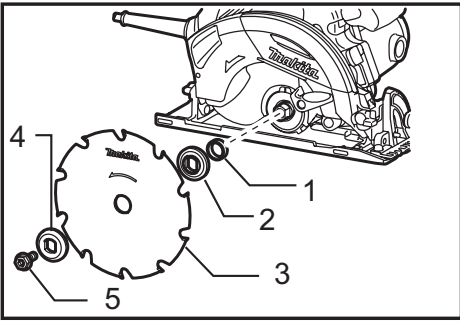


Fig.17

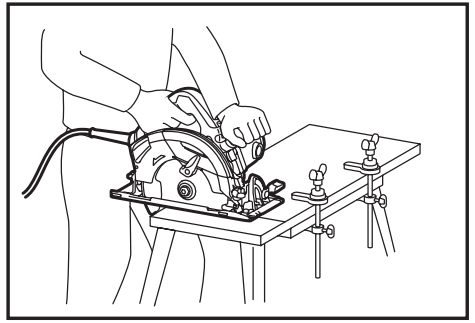


Fig.21

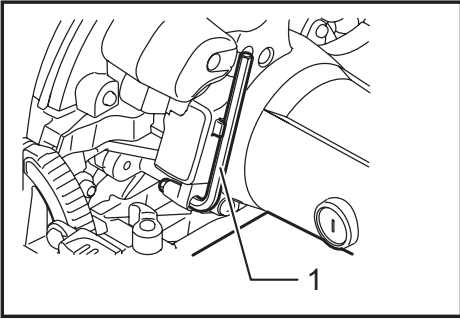


Fig.18

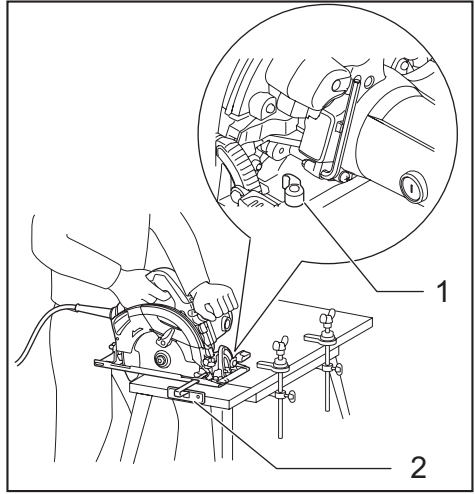


Fig.22

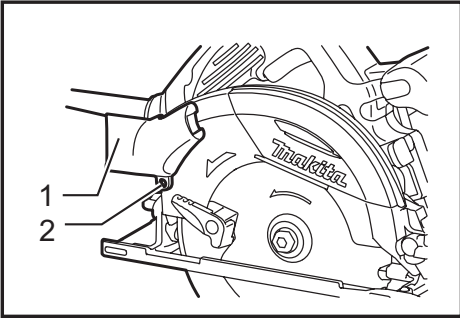


Fig.19

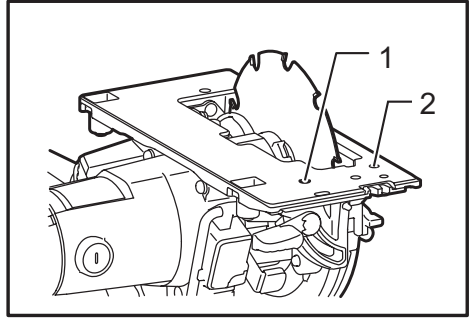


Fig.23

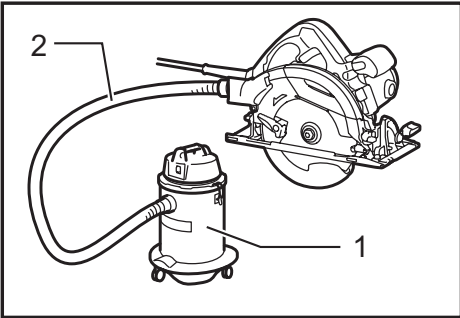


Fig.20

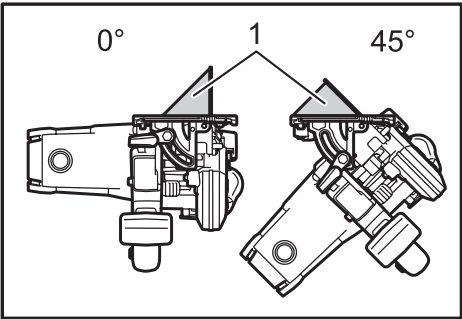


Fig.24

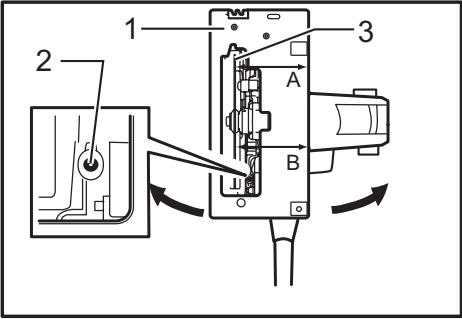


Fig.25

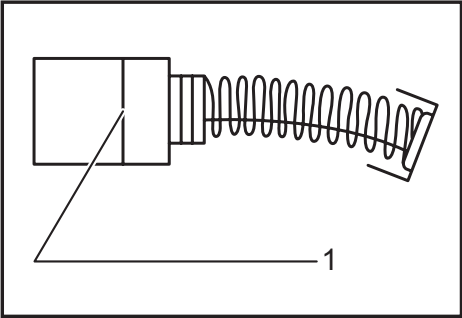


Fig.26

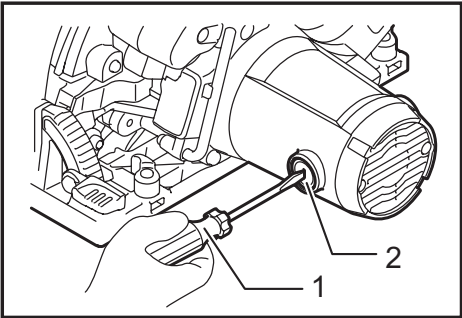


Fig.27

SPECIFICATIONS

Model		HS6100	HS6101	HS7100	HS7101
Blade diameter		165 mm		190 mm	
Max. cutting depth	at 0°	54.5 mm		67 mm	
	at 45°	39.5 mm		48.5 mm	
	at 50°	35.5 mm		43.5 mm	
No load speed (min ⁻¹)		5,500			
Overall length		297 mm		310 mm	
Net weight		3.5 kg	3.5 kg	3.7 kg	3.8 kg
Safety class		□/II			

- Due to our continuing program of research and development, the specifications herein are subject to change without notice.
- Specifications may differ from country to country.
- Weight according to EPTA-Procedure 01/2014

Intended use

The tool is intended for performing lengthways and crossways straight cuts and mitre cuts with angles in wood while in firm contact with the workpiece. With appropriate saw blades, aluminum can also be sawed.

For public low-voltage distribution systems of between 220 V and 250 V.

Switching operations of electric apparatus cause voltage fluctuations. The operation of this device under unfavorable mains conditions can have adverse effects to the operation of other equipment. With a mains impedance equal or less than 0.32 Ohms it can be presumed that there will be no negative effects. The mains socket used for this device must be protected with a fuse or protective circuit breaker having slow tripping characteristics.

Noise

The typical A-weighted noise level determined according to EN62841:

Model HS6100,HS6101

Sound pressure level (L_{pA}): 98 dB (A)

Sound power level (L_{WA}): 109 dB (A)

Uncertainty (K): 3 dB (A)

Model HS7100,HS7101

Sound pressure level (L_{pA}): 97 dB (A)

Sound power level (L_{WA}): 108 dB (A)

Uncertainty (K): 3 dB (A)

Wear ear protection

Vibration

The vibration total value (tri-axial vector sum) determined according to EN62841:

Model HS6100,HS6101

Work mode : cutting wood

Vibration emission ($a_{h,W}$): 2.5 m/s² or less

Uncertainty (K): 1.5 m/s²

Work mode : cutting metal

Vibration emission ($a_{h,M}$): 2.5 m/s²

Uncertainty (K): 1.5 m/s²

Model HS7100,HS7101

Work mode : cutting wood

Vibration emission ($a_{h,W}$): 2.5 m/s² or less

Uncertainty (K): 1.5 m/s²

Work mode : cutting metal

Vibration emission ($a_{h,M}$): 2.5 m/s²

Uncertainty (K): 1.5 m/s²

NOTE: The declared vibration emission value has been measured in accordance with the standard test method and may be used for comparing one tool with another.

NOTE: The declared vibration emission value may also be used in a preliminary assessment of exposure.

⚠WARNING: The vibration emission during actual use of the power tool can differ from the declared emission value depending on the ways in which the tool is used.

⚠WARNING: Be sure to identify safety measures to protect the operator that are based on an estimation of exposure in the actual conditions of use (taking account of all parts of the operating cycle such as the times when the tool is switched off and when it is running idle in addition to the trigger time).

EC Declaration of Conformity

For European countries only

The EC declaration of conformity is included as Annex A to this instruction manual.

General power tool safety warnings

⚠WARNING: Read all safety warnings, instructions, illustrations and specifications provided with this power tool. Failure to follow all instructions listed below may result in electric shock, fire and/or serious injury.

Save all warnings and instructions for future reference.

The term "power tool" in the warnings refers to your mains-operated (corded) power tool or battery-operated (cordless) power tool.

Circular saw safety warnings

Cutting procedures

1. **⚠ DANGER: Keep hands away from cutting area and the blade. Keep your second hand on auxiliary handle, or motor housing.** If both hands are holding the saw, they cannot be cut by the blade.
2. **Do not reach underneath the workpiece.** The guard cannot protect you from the blade below the workpiece.
3. **Adjust the cutting depth to the thickness of the workpiece.** Less than a full tooth of the blade teeth should be visible below the workpiece.
4. **Never hold the workpiece in your hands or across your leg while cutting. Secure the workpiece to a stable platform.** It is important to support the work properly to minimise body exposure, blade binding, or loss of control.

► Fig.1

5. **Hold the power tool by insulated gripping surfaces, when performing an operation where the cutting tool may contact hidden wiring or its own cord.** Contact with a "live" wire will also make exposed metal parts of the power tool "live" and could give the operator an electric shock.
6. **When ripping, always use a rip fence or straight edge guide.** This improves the accuracy of cut and reduces the chance of blade binding.
7. **Always use blades with correct size and shape (diamond versus round) of arbour holes.** Blades that do not match the mounting hardware of the saw will run off-centre, causing loss of control.
8. **Never use damaged or incorrect blade washers or bolt.** The blade washers and bolt were specially designed for your saw, for optimum performance and safety of operation.

Kickback causes and related warnings

- kickback is a sudden reaction to a pinched, jammed or misaligned saw blade, causing an uncontrolled saw to lift up and out of the workpiece toward the operator;
- when the blade is pinched or jammed tightly by the kerf closing down, the blade stalls and the motor reaction drives the unit rapidly back toward the operator;
- if the blade becomes twisted or misaligned in the cut, the teeth at the back edge of the blade can dig into the top surface of the wood causing the blade to climb out of the kerf and jump back toward the operator.

Kickback is the result of saw misuse and/or incorrect operating procedures or conditions and can be avoided by taking proper precautions as given below.

1. **Maintain a firm grip with both hands on the saw and position your arms to resist kickback forces. Position your body to either side of the blade, but not in line with the blade.** Kickback could cause the saw to jump backwards, but kickback forces can be controlled by the operator, if proper precautions are taken.
2. **When blade is binding, or when interrupting a cut for any reason, release the trigger and hold the saw motionless in the material until the blade comes to a complete stop. Never attempt to remove the saw from the work or pull the saw backward while the blade is in motion or kickback may occur.** Investigate and take corrective actions to eliminate the cause of blade binding.

3. **When restarting a saw in the workpiece, centre the saw blade in the kerf so that the saw teeth are not engaged into the material.** If a saw blade binds, it may walk up or kickback from the workpiece as the saw is restarted.
4. **Support large panels to minimise the risk of blade pinching and kickback.** Large panels tend to sag under their own weight. Supports must be placed under the panel on both sides, near the line of cut and near the edge of the panel.

► Fig.2

► Fig.3

5. **Do not use dull or damaged blades.** Unsharpened or improperly set blades produce narrow kerf causing excessive friction, blade binding and kickback.
6. **Blade depth and bevel adjusting locking levers must be tight and secure before making the cut.** If blade adjustment shifts while cutting, it may cause binding and kickback.
7. **Use extra caution when sawing into existing walls or other blind areas.** The protruding blade may cut objects that can cause kickback.
8. **ALWAYS hold the tool firmly with both hands. NEVER place your hand, leg or any part of your body under the tool base or behind the saw, especially when making cross-cuts.** If kickback occurs, the saw could easily jump backwards over your hand, leading to serious personal injury.

► Fig.4

9. **Never force the saw. Push the saw forward at a speed so that the blade cuts without slowing.** Forcing the saw can cause uneven cuts, loss of accuracy, and possible kickback.

Lower guard function

1. **Check the lower guard for proper closing before each use. Do not operate the saw if the lower guard does not move freely and close instantly. Never clamp or tie the lower guard into the open position.** If the saw is accidentally dropped, the lower guard may be bent. Raise the lower guard with the retracting handle and make sure it moves freely and does not touch the blade or any other part, in all angles and depths of cut.
2. **Check the operation of the lower guard spring. If the guard and the spring are not operating properly, they must be serviced before use.** Lower guard may operate sluggishly due to damaged parts, gummy deposits, or a build-up of debris.
3. **The lower guard may be retracted manually only for special cuts such as "plunge cuts" and "compound cuts". Raise the lower guard by the retracting handle and as soon as the blade enters the material, the lower guard must be released.** For all other sawing, the lower guard should operate automatically.
4. **Always observe that the lower guard is covering the blade before placing the saw down on bench or floor.** An unprotected, coasting blade will cause the saw to walk backwards, cutting whatever is in its path. Be aware of the time it takes for the blade to stop after switch is released.
5. **To check lower guard, open lower guard by hand, then release and watch guard closure. Also check to see that retracting handle does not touch tool housing.** Leaving blade exposed is VERY DANGEROUS and can lead to serious personal injury.

Additional safety warnings

1. Use extra caution when cutting damp wood, pressure treated lumber, or wood containing knots. Maintain smooth advancement of tool without decrease in blade speed to avoid overheating the blade tips.
2. Do not attempt to remove cut material when blade is moving. Wait until blade stops before grasping cut material. Blades coast after turn off.
3. Avoid cutting nails. Inspect for and remove all nails from lumber before cutting.
4. Place the wider portion of the saw base on that part of the workpiece which is solidly supported, not on the section that will fall off when the cut is made. If the workpiece is short or small, clamp it down. **DO NOT TRY TO HOLD SHORT PIECES BY HAND!**

► Fig.5

5. Before setting the tool down after completing a cut, be sure that the guard has closed and the blade has come to a complete stop.
6. Never attempt to saw with the circular saw held upside down in a vise. This is extremely dangerous and can lead to serious accidents.

► Fig.6

7. Some material contains chemicals which may be toxic. Take caution to prevent dust inhalation and skin contact. Follow material supplier safety data.
8. Do not stop the blades by lateral pressure on the saw blade.
9. Do not use any abrasive wheels.
10. Only use the saw blade with the diameter that is marked on the tool or specified in the manual. Use of an incorrectly sized blade may affect the proper guarding of the blade or guard operation which could result in serious personal injury.
11. Keep blade sharp and clean. Gum and wood pitch hardened on blades slows saw and increases potential for kickback. Keep blade clean by first removing it from tool, then cleaning it with gum and pitch remover, hot water or kerosene. Never use gasoline.
12. Wear a dust mask and hearing protection when use the tool.
13. Always use the saw blade intended for cutting the material that you are going to cut.
14. Only use the saw blades that are marked with a speed equal or higher than the speed marked on the tool.
15. (For European countries only) Always use the blade which conforms to EN847-1.

SAVE THESE INSTRUCTIONS.

⚠WARNING: DO NOT let comfort or familiarity with product (gained from repeated use) replace strict adherence to safety rules for the subject product. MISUSE or failure to follow the safety rules stated in this instruction manual may cause serious personal injury.

FUNCTIONAL DESCRIPTION

⚠CAUTION:

- Always be sure that the tool is switched off and unplugged before adjusting or checking function on the tool.

Adjusting depth of cut

► Fig.7: 1. Lever

⚠CAUTION:

- After adjusting the depth of cut, always tighten the lever securely.

Loosen the lever on the depth guide and move the base up or down. At the desired depth of cut, secure the base by tightening the lever.

For cleaner, safer cuts, set cut depth so that no more than one blade tooth projects below workpiece. Using proper cut depth helps to reduce potential for dangerous KICKBACKS which can cause personal injury.

Bevel cutting

► Fig.8: 1. Front lever

► Fig.9: 1. Rear wing nut

Loosen the front lever and rear wing nut. Set for the desired angle (0° - 50°) by tilting accordingly, then tighten the lever and wing nut securely.

► Fig.10: 1. Stopper

Use the 45° stopper when you do precise 45° angle cutting. Turn the stopper clockwise fully for bevel cut (0° - 45°) and turn it counterclockwise for 0° - 50° bevel cuts.

Sighting

► Fig.11: 1. 0° position 2. 45° position 3. Cutting line 4. Screw

For straight cuts, align the 0° position on the front of the base with your cutting line. For 45° bevel cuts, align the 45° position with it. The position of the top guide is adjustable.

Switch action

► Fig.12: 1. Switch trigger 2. Lock-off button

⚠CAUTION:

- Before plugging in the tool, always check to see that the switch trigger actuates properly and returns to the "OFF" position when released.

To prevent the switch trigger from being accidentally pulled, a lock-off button is provided. To start the tool, push in the lock-off button and pull the switch trigger. Release the switch trigger to stop.

Do not pull the switch lever hard without pulling the lock-off lever. This can cause switch breakage.

Lighting the lamp

For Model HS6101, HS7101

⚠ CAUTION:

- Do not look in the light or see the source of light directly.

► Fig.13: 1. Light

The lamp lights up when the tool is plugged. The lamp keeps on lighting until the tool is unplugged.

NOTE:

- Use a dry cloth to wipe the dirt off the lens of lamp. Be careful not to scratch the lens of lamp, or it may lower the illumination.
- Do not use gasoline, thinner or the like to clean the lens of lamp. Using such substances will damage the lens.

ASSEMBLY

⚠ CAUTION:

- Always be sure that the tool is switched off and unplugged before carrying out any work on the tool.

Removing or installing saw blade

⚠ CAUTION:

- Be sure the blade is installed with teeth pointing up at the front of the tool.
- Use only the Makita wrench to install or remove the blade.

► Fig.14: 1. Hex wrench 2. Loosen 3. Tighten 4. Shaft lock

To remove the blade, press the shaft lock so that the blade cannot revolve and use the wrench to loosen the hex bolt counterclockwise. Then remove the hex bolt, outer flange and blade.

For tool with the inner flange for a 15.88 mm hole-diameter saw blade

► Fig.15: 1. Mounting shaft 2. Inner flange 3. Saw blade 4. Outer flange 5. Hex bolt

Mount the inner flange with its recessed side facing outward onto the mounting shaft and then place saw blade, outer flange and hex bolt.

BE SURE TO TIGHTEN THE HEX BOLT CLOCKWISE SECURELY.

For tool with the inner flange for other than 15.88 mm hole-diameter saw blade

► Fig.16: 1. Mounting shaft 2. Inner flange 3. Saw blade 4. Outer flange 5. Hex bolt

The inner flange has a certain diameter protrusion on one side of it and a different diameter protrusion on the other side. Choose a correct side on which protrusion fits into the saw blade hole perfectly.

Next, mount the inner flange onto the mounting shaft so that the correct side of protrusion on the inner flange faces outward and then place saw blade and outer flange. BE SURE TO TIGHTEN THE HEX BOLT CLOCKWISE SECURELY.

⚠ CAUTION:

- Make sure that the protrusion "a" on the inner flange that is positioned outside fits into the saw blade hole "a" perfectly. Mounting the blade on the wrong side can result in the dangerous vibration.

► Fig.17: 1. Ring 2. Inner flange 3. Saw blade 4. Outer flange 5. Hex bolt

When changing blade, make sure to also clean upper and lower blade guards of accumulated sawdust. Such efforts do not, however, replace the need to check lower guard operation before each use.

Hex wrench storage

► Fig.18: 1. Hex wrench

When not in use, store the hex wrench as shown in the figure to keep it from being lost.

Connecting a vacuum cleaner

► Fig.19: 1. Dust nozzle 2. Screw

► Fig.20: 1. Vacuum cleaner 2. Hose

When you wish to perform clean cutting operation, connect a Makita vacuum cleaner to your tool. Install the dust nozzle on the tool using the screw. Then connect a hose of the vacuum cleaner to the dust nozzle as shown in the figure.

OPERATION

⚠ CAUTION:

- Be sure to move the tool forward in a straight line gently. Forcing or twisting the tool will result in overheating the motor and dangerous kickback, possibly causing severe injury.
- Always use a front grip and rear handle and firmly hold the tool by both front grip and rear handle during operations.

Hold the tool firmly. The tool is provided with both a front grip and rear handle. Use both to best grasp the tool. If both hands are holding saw, they cannot be cut by the blade. Set the base on the workpiece to be cut without the blade making any contact. Then turn the tool on and wait until the blade attains full speed. Now simply move the tool forward over the workpiece surface, keeping it flat and advancing smoothly until the sawing is completed. To get clean cuts, keep your sawing line straight and your speed of advance uniform. If the cut fails to properly follow your intended cut line, do not attempt to turn or force the tool back to the cut line. Doing so may bind the blade and lead to dangerous kickback and possible serious injury. Release switch, wait for blade to stop and then withdraw tool. Realign tool on new cut line, and start cut again. Attempt to avoid positioning which exposes operator to chips and wood dust being ejected from saw. Use eye protection to help avoid injury.

► Fig.21

Rip fence (Guide rule)

- **Fig.22:** 1. Clamp lever 2. Rip fence (Guide rule)

The handy rip fence allows you to do extra-accurate straight cuts. Simply slide the rip fence up snugly against the side of the workpiece and secure it in position with the clamp lever on the front of the base. It also makes repeated cuts of uniform width possible.

MAINTENANCE

⚠ CAUTION:

- Always be sure that the tool is switched off and unplugged before attempting to perform inspection or maintenance.
- Never use gasoline, benzine, thinner, alcohol or the like. Discoloration, deformation or cracks may result.

Adjusting for accuracy of 0° and 45° cut (vertical and 45° cut)

- **Fig.23:** 1. Adjusting screw for 0° 2. Adjusting screw for 45°
- **Fig.24:** 1. Triangular rule

This adjustment has been made at the factory. But if it is off, adjust the adjusting screws with a hex wrench while inspecting 0° or 45° the blade with the base using a triangular rule or square rule, etc.

Adjusting for parallelism

- **Fig.25:** 1. Base 2. Screw 3. Saw blade

The parallelism between the blade and the base has been factory adjusted. But if it is off, you can adjust it as the following procedure.

Make sure all levers and screws are tightened. Slightly loosen the screw as illustrated. While opening the lower guard, move the rear of base so that the distance A and B are equal. After adjusting, tighten the screw. Make a test cut to get a correct parallelism.

Replacing carbon brushes

- **Fig.26:** 1. Limit mark

Remove and check the carbon brushes regularly. Replace when they wear down to the limit mark. Keep the carbon brushes clean and free to slip in the holders. Both carbon brushes should be replaced at the same time. Use only identical carbon brushes.

Use a screwdriver to remove the brush holder caps. Take out the worn carbon brushes, insert the new ones and secure the brush holder caps.

- **Fig.27:** 1. Screwdriver 2. Brush holder cap

After replacing brushes, plug in the tool and break in brushes by running tool with no load for about 10 minutes. Then check the tool while running and electric brake operation when releasing the switch trigger. If the electric brake is not working correctly, have the tool repaired by a Makita service center. To maintain product SAFETY and RELIABILITY, repairs, any other maintenance or adjustment should be performed by Makita Authorized Service Centers, always using Makita replacement parts.

OPTIONAL ACCESSORIES

⚠ CAUTION:

- These accessories or attachments are recommended for use with your Makita tool specified in this manual. The use of any other accessories or attachments might present a risk of injury to persons. Only use accessory or attachment for its stated purpose.

If you need any assistance for more details regarding these accessories, ask your local Makita Service Center.

- Saw blades
- Rip fence (Guide rule)
- Guide rail
- Guide rail adaptor
- Hex wrench
- Joint

NOTE:

- Some items in the list may be included in the tool package as standard accessories. They may differ from country to country.

ТЕХНІЧНІ ХАРАКТЕРИСТИКИ

Модель		HS6100	HS6101	HS7100	HS7101
Діаметр диску		165 мм		190 мм	
Макс. глибина різання	на 0°	54,5 мм		67 мм	
	на 45°	39,5 мм		48,5 мм	
	на 50°	35,5 мм		43,5 мм	
Швидкість без навантаження (хв ⁻¹)		5500			
Загальна довжина		297 мм		310 мм	
Чиста вага		3,5 кг	3,5 кг	3,7 кг	3,8 кг
Клас безпеки		□/II			

- Оскільки наша програма наукових досліджень і розробок триває безперервно, наведені тут технічні характеристики можуть бути змінені без попередження.
- У різних країнах технічні характеристики можуть бути різними.
- Маса відповідно до EPTA-Procedure 01/2014

Використання за призначенням

Інструмент призначено для поздовжнього та поперечного різання за прямою лінією та різання під косим кутом по деревині у міцному контакт з деталлю. Якщо встановити відповідні пильні диски, можна також різати алюміній.

Для використання від низьковольтної мережі від 220 В до 250 В.

Увімкнення та вимкнення електричного приладу спричиняє до коливання напруги. Експлуатація цього пристрою за несприятливих умов мережі може погано вплинути на роботу іншого обладнання. Можна припустити, що при опорі мережі 0,32 Ом або нижче, ніякого негативного впливу не буде. Мережна розетка, до якої буде підключатися пристрій, повинна буди захищена запобіжником або захисним автоматичним вимикачем плавного розчіплювання.

Шум

Рівень шуму за шкалою А у типовому виконанні, визначений відповідно до EN62841:

Модель HS6100, HS6101

Рівень звукового тиску (L_{pA}): 98 дБ (А)
Рівень звукової потужності (L_{WA}): 109 дБ (А)
Похибка (К): 3 дБ (А)

Модель HS7100, HS7101

Рівень звукового тиску (L_{pA}): 97 дБ (А)
Рівень звукової потужності (L_{WA}): 108 дБ (А)
Похибка (К): 3 дБ (А)

Користуйтеся засобами захисту слуху

Вібрація

Загальна величина вібрації (сума трьох векторів) визначена згідно з EN62841:

Модель HS6100, HS6101

Режим роботи: пиляння деревини
Вібрація ($a_{h,w}$): 2,5 м/с² або менше
Похибка (К): 1,5 м/с²

Режим роботи: різання металу

Вібрація ($a_{h,m}$): 2,5 м/с²
Похибка (К): 1,5 м/с²

Модель HS7100, HS7101

Режим роботи: пиляння деревини
Вібрація ($a_{h,w}$): 2,5 м/с² або менше
Похибка (К): 1,5 м/с²

Режим роботи: різання металу

Вібрація ($a_{h,m}$): 2,5 м/с²
Похибка (К): 1,5 м/с²

ПРИМІТКА: Заявлене значення вібрації було виміряно у відповідності до стандартних методів тестування та може використовуватися для порівняння одного інструмента з іншим.

ПРИМІТКА: Заявлене значення вібрації може також використовуватися для попередньої оцінки впливу.

▲ПОПЕРЕДЖЕННЯ: Залежно від умов використання вібрація під час фактичної роботи інструмента може відрізнятися від заявленого значення вібрації.

▲ПОПЕРЕДЖЕННЯ: Забезпечте належні запобіжні заходи для захисту оператора, що відповідатимуть умовам використання інструмента (слід брати до уваги всі складові робочого циклу, такі як час, коли інструмент вимкнено та коли він починає працювати на холостому ході під час запуску).

Декларація про відповідність стандартам ЄС

Тільки для країн Європи

Декларацію про відповідність стандартам ЄС наведено в Додатку А до цієї інструкції з експлуатації.

Загальні застереження щодо техніки безпеки при роботі з електроінструментами

▲ПОПЕРЕДЖЕННЯ: Уважно ознайомтеся з усіма попередженнями про дотримання правил техніки безпеки, інструкціями, ілюстраціями та технічними характеристиками, що стосуються цього електроінструмента. Невиконання будь-яких інструкцій, перелічених нижче, може призвести до ураження електричним струмом, пожежі та/або тяжких травм.

Збережіть усі інструкції з техніки безпеки та експлуатації на майбутнє.

Термін «електроінструмент», зазначений у інструкції з техніки безпеки, стосується електроінструмента, який функціонує від електромережі (електроінструмент з кабелем живлення), або електроінструмента з живленням від батареї (безпроводний електроінструмент).

Попередження про необхідну обережність під час роботи з циркулярною пилою

Порядок експлуатації

1. **▲ НЕБЕЗПЕЧНО!** Завжди тримайте руки на відстані від зони різання та полотна. Тримайте другу руку на допоміжній ручці або кожусі двигуна. Якщо тримати інструмент обома руками, їх неможливо буде порізати об полотно.
2. **Забароняється простягати руки нижче деталі.** Кожух не захищає від полотна внизу деталі.
3. **Необхідно відрегулювати глибину різання відповідно до товщини деталі.** Щонайменше один зубець полотна має бути повністю видно внизу деталі.
4. **Забароняється під час різання тримати деталь у руках або на колінах. Необхідно закріпити деталь на стійкій поверхні.** Дуже важливо забезпечити належну опору робочого місця, щоб звести до мінімуму вплив на тіло, заїдання полотна та втрату керування.

► Рис.1

5. **Тримайте електроінструмент за ізольовані поверхні держака під час виконання дії, за якої ризальний інструмент може зачепити приховану електропроводку або власний шнур.** Торкання дроту під напругою може призвести до передавання напруги до металевих частин електроінструмента та до ураження оператора електричним струмом.
6. **Під час поздовжнього пилення обов'язково використовуйте напрямну планку або пряму лінійку.** Це покращить точність різання та зменшить імовірність заїдання полотна.
7. **Обов'язково використовуйте полотна зі шпindelними отворами відповідного розміру та форми (ромбічні або круглі).** Полотно, що не відповідають приладдо для кріплення пили, працюватимуть ексцентрично, що призведе до втрати контролю.
8. **Забаронено використовувати пошкоджені або невідповідні шайби та болти для полотна.** Шайби та болти полотна спеціально розроблені для цієї пили для забезпечення оптимальних робочих характеристик та безпечної експлуатації.

Причини віддачі та відповідні попередження:

- Віддача — це несподівана реакція затиснутого, застряглого або зміщеного диска пили, що призводить до неконтрольованого вистрілювання пили вгору та з деталі в напрямку до оператора.

- Коли диск затиснуло або щільно заїло в пропилі, він зупиняється, а працюючий двигун призводить до швидкого відкидання пристрою до оператора.
 - якщо полотно закрутилося або змістилося в прорізі, зубець заднього краю полотна може встормитися у верхню поверхню деревини, що в свою чергу призведе до виходу полотна із пропилю та відсакування його до оператора.
- Причинами віддачі є неправильне користування пилою та/або неправильний порядок або умови експлуатації. Її можна уникнути, дотримуючись запобіжних заходів, наведених нижче.

1. **Необхідно міцно обома руками тримати пилу за ручку та розмістити руки таким чином, щоб протистояти зусиллю віддачі. Необхідно зайняти положення з будь-якого боку полотна, але не на одній лінії з ним.** У разі віддачі пила відскочить назад, але оператор зможе контролювати зусилля віддачі, якщо буде вжито всіх запобіжних заходів.
2. **У разі заїдання полотна або переривання різання з будь-яких причин потрібно відпустити курок та утримувати пилу в матеріалі нерухомо до повної зупинки полотна. Ні в якому разі не можна намагатися виняти пилу з деталі або витягти її під час руху полотна — це може спричинити віддачу.** Ретельно огляньте пилу та виконайте необхідні дії з усунення причини заїдання полотна.
3. **Під час повторного встановлення пили на деталь необхідно відцентрувати диск пили в пропилі так, щоб зубці пили не зачепилися за матеріал.** Якщо диск пили затиснуло, він може вийти або зіскочити з деталі під час повторного ввімкнення пили.
4. **Необхідно забезпечити опору великих панелей, щоб мінімізувати ризик защемлення полотна та віддачі.** Великі панелі прогинаються під своєю вагою. Необхідно розташувати опору з обох боків панелі, біля лінії різання та біля краю панелі.

► Рис.2

► Рис.3

5. **Не можна користуватися тупими або пошкодженими полотнами.** Незагострені або неправильно встановлені полотна роблять вузький пропил, що призводить до надмірного тертя, заїдання полотна або віддачі.
6. **Перед початком різання необхідно затягнути та закріпити затисні важелі регулювання глибини та нахилу полотна.** Зміщення регулювання полотна під час різання може призвести до заїдання або віддачі.
7. **Необхідна особлива обережність під час різання в наявній стіні або інші невидимі зони.** Виступаюче полотно може зіткнутися з предметами, що спричинять віддачу.
8. **ОБОВ'ЯЗКОВО міцно тримайте інструмент обома руками. НІ В ЯКОМУ РАЗІ не кладіть руку, ногу чи будь-яку частину тіла нижче основи інструмента або позаду пили, особливо під час поперечного різання.** У разі віддачі пила може просто перескочити через руку та спричинити серйозну травму.

► Рис.4

9. Ні в якому разі не прикладайте силу до пили. Натискайте на пилу вперед із такою швидкістю, щоб полотно різало, не зменшуючи швидкості. Прикладання сили до пили може призвести до нерівного прорізу, втрати точності та можливої віддачі.

Функція захисного кожуха

1. Щораз перед початком роботи слід перевіряти належне закриття нижнього кожуху. Не слід починати роботу з пилою, якщо нижній захисний кожух не рухається вільно та одразу не закривається. Ніколи не слід затискати або затягувати нижній кожух у відкритому положенні. Якщо пила випадково впаде, нижній захисний кожух може погнутися. Слід підняти нижній захисний кожух за допомогою ручки та переконаватися, що він вільно пересувається та не торкається диску або іншої частини при будь-якому куті та глибині різання.
2. Слід перевірити функціонування пружини нижнього захисного кожуха. У разі неналежного функціонування захисного кожуха та пружини їх необхідно відремонтувати перед використанням. Нижній захисний кожух може повільно працювати при наявності пошкоджених частин, клейких відкладень або накопичення сміття.
3. Нижній захисний кожух можна відводити руками тільки при виконанні спеціальних прорізів, таких як «врізання» та «комбіноване різання». Підніміть нижній захисний кожух за допомогою ручки відведення та, як тільки диск пили увійде у матеріал, відпустіть нижній захисний кожух. Для решти видів різання нижній кожух повинен працювати автоматично.
4. Перед встановленням пили на верстат або підлогу слід завжди перевіряти, щоб нижній захисний кожух покривав диск. Незахищений диск, що рухається за інерцією, призведе до пересування пили назад, ріжучи будь-які предмети на своєму шляху. Слід пам'ятати, що після відпускання вмикача диску потрібен деякий час для повної зупинки.
5. Щоб перевірити нижній кожух, його слід відкрити вручну, а потім необхідно відпустити і подивитися, як він закривається. Також слід переконаватися, що ручка відведення не торкається кожуха інструмента. Залишення ріжучого диска незахищеним є ДУЖЕ НЕБЕЗПЕЧНИМ, адже може призвести до серйозних травм.

Додаткові попередження про необхідну обережність

1. Виявляйте особливу обережність під час різання сирової деревини, лісоматеріалу, обробленого під тиском, або сучкуватої деревини. Плавню просувайте інструмент вперед, не зменшуючи швидкості полотна, щоб уникнути перегрівання зубців.
2. Не намагайтеся забирати відрізаний матеріал під час руху полотна. Зачекайте до зупинки полотна, перш ніж брати відрізаний матеріал. Полотно рухається за інерцією після вимкнення.

3. Уникайте різання цвяхів. Перед початком роботи огляньте лісоматеріал та видаліть із нього всі цвяхи.
4. Розташуйте ширшу частину основи пили на тій частині деталі, що має надійну опору, а не на тій, яка відпаде після різання. Короткі або малі деталі необхідно притискати. ЗАБОРОНЕНО ТРИМАТИ КОРОТКІ ДЕТАЛІ РУКАМИ!

► Рис.5

5. Перед тим як відставляти інструмент після завершення різання, переконайтеся, що захисний кожух закритий і повністю зупинився.
6. Ні в якому разі не намагайтеся різати затиснутою лещатами перевернутою циркулярною пилою. Це дуже небезпечно та може призвести до тяжких нещасних випадків.

► Рис.6

7. Деякі матеріали містять токсичні хімічні речовини. Будьте обережні, щоб не допустити вдихання пилу та його контакту зі шкірою. Дотримуйтеся правил техніки безпеки виробника матеріалу.
8. Заборонено зупиняти полотна, прикладаючи боковий тиск до ріжучого полотна.
9. Заборонено використовувати абразивні диски.
10. Використовуйте тільки ріжуче полотно, що має діаметр, зазначений на інструменті або вказаний в інструкції з експлуатації. Використання полотна невідповідного розміру може завдати належному захисту полотна або функціонуванню захисного кожуха, що можуть призвести до серйозних травм.
11. Полотно має бути гострим та чистим. Деревини пек та смола, застигли на полотнах, сповільнюють пилу та збільшують ризик віддачі. Підтримуйте чистоту полотна. Для цього зніміть його з інструмента, а потім очистіть за допомогою засобу для видалення смоли, гарячої води або гасу. Використовувати бензин заборонено.
12. Під час користування інструментом використовуйте пілозахисну маску та засоби захисту органів слуху.
13. Завжди використовуйте диск пили, що призначений для різання саме того матеріалу, який ви збираєтеся різати.
14. Використовуйте тільки такі диски пили, на яких указана швидкість дорівнює швидкості, зазначеній на інструменті, або є більшою за неї.
15. (Тільки для країн Європи.) Завжди використовуйте диск, що відповідає стандарту EN847-1.

ЗБЕРІГАЙТЕ ЦІ ВКАЗІВКИ.

▲ ПОПЕРЕДЖЕННЯ: НІКОЛИ НЕ втрачайте пильності та не розслабляйтеся під час користування виробом (що можливо при частому користуванні); обов'язково строго дотримуйтеся відповідних правил безпеки. НЕНАЛЕЖНЕ ВИКОРИСТАННЯ або недотримання правил безпеки, викладених у цій інструкції з експлуатації, може призвести до серйозних травм.

ІНСТРУКЦІЯ З ВИКОРИСТАННЯ

⚠ОБЕРЕЖНО:

- Перед регулюванням та перевіркою справності інструменту, переконайтеся в тому, що він вимкнений та відключений від мережі.

Регулювання глибини різання

► **Рис.7:** 1. Важіль

⚠ОБЕРЕЖНО:

- Після регулювання глибини різання слід завжди надійно затягнути важіль.

Послабте важіль на напрямній глибини та пересуньте основу вгору або вниз. На необхідній глибині різання закріпіть основу, затягнувши важіль. Для забезпечення рівнішого різання, слід відрегулювати глибину різання таким чином, щоб за межі деталі виходило не більше, ніж один зубець полотна. Використання вірної глибини різання допомагає знизити потенціальну небезпеку ВІДДАЧІ, яка може призвести до поранень.

Різання під кутом

► **Рис.8:** 1. Передній важіль

► **Рис.9:** 1. Задня смушкова гайка

Послабте передній важіль та задню смушкову гайку. Установіть бажаний кут (0° – 50°), відповідно нахиливши основу, а потім надійно затягніть важіль та смушкову гайку.

► **Рис.10:** 1. Стопор

Для виконання точного різання під кутом 45° слід використовувати стопор для кута 45° . Поверніть стопор до упору за годинниковою стрілкою для різання під кутом 0° – 45° , а для різання під кутом 0° – 50° поверніть його проти годинникової стрілки.

Виставлення

► **Рис.11:** 1. Положення 0° 2. Положення 45°
3. Лінія різання 4. Гвинт

Для виконання прямих розрізів слід сумістити положення 0° у передній частині основи із лінією розрізу. Для косих розрізів під кутом 45° із лінією розрізу слід сумістити положення 45° . Положення верхньої напрямної можна відрегулювати.

Дія вимикача

► **Рис.12:** 1. Курковий вмикач 2. Кнопка блокування вимкненого положення

⚠ОБЕРЕЖНО:

- Перед вмиканням інструменту у мережу обов'язково перевірте, чи кнопка вимикача нормально спрацьовує і після відлускування повертається в положення "вимкнено".

Для того, щоб запобігти випадковому натисканню курка вмикача, передбачена кнопка блокування вимкненого положення. Для того, щоб запустити інструмент, натисніть на кнопку блокування вимкненого положення та натисніть на курок вимкненого положення. Для зупинення роботи курок слід відпустити.

Не можна із силою натискати на важіль вмикача, не натиснувши на важіль блокування вимкненого положення. Це може призвести до поломки вмикача.

Увімкнення підсвічування

Для моделі *HS6101, HS7101*

⚠ОБЕРЕЖНО:

- Не дивіться на світло або безпосередньо на джерело світла.

► **Рис.13:** 1. Підсвічування

Коли інструмент вмикають до сіті, загоряється лампочка. Лампочка продовжує горіти до тих пір, доки інструмент ну буде відключено від сіті.

ПРИМІТКА:

- Для видалення бруду з лінзи підсвітки користуйтеся сухою тканиною. Будьте обережні, щоб не подряпати лінзу підсвітки, тому що можна погіршити освітлювання.
- Для чищення скла ліхтаря підсвічування неможна використовувати бензин, розчинник або подібні матеріали. Використання таких речовин пошкодить скло.

КОМПЛЕКТУВАННЯ

⚠ОБЕРЕЖНО:

- Перед тим, як щось встановлювати на інструмент, переконайтеся в тому, що він вимкнений та відключений від мережі.

Зняття та встановлення полотна пили

⚠ОБЕРЕЖНО:

- Перевірте, щоб полотно було встановлене так, щоб зубці були направлені вгору в напрямку передньої частини інструмента.
- Для встановлення або зняття полотна слід використовувати тільки ключ виробництва компанії Makita.

► **Рис.14:** 1. Шестигранний ключ 2. Послабити 3. Затягнути 4. Фіксатор

Для того, щоб зняти полотно, слід повністю натиснути замок вала таким чином, щоб полотно не могло обертатись, та за допомогою ключа послабити болт із шестигранною голівкою, повернувши його проти годинникової стрілки. Потім слід вийняти болт, зовнішній фланець та полотно.

Для інструмента із внутрішнім фланцем для полотна із діаметром отвору 15,88 мм

- **Рис.15:** 1. Вал кріплення 2. Внутрішній фланець
3. Диск пили 4. Зовнішній фланець
5. Болт із шестигранною голівкою

Установіть внутрішній фланець, направивши вито-чену частину назовні, на вал кріплення, після чого установіть полотно, зовнішній фланець та болт із шестигранною голівкою.

ОБОВ'ЯЗКОВО МІЦНО ЗАТЯГНІТЬ БОЛТ ІЗ ШЕСТИГРАННОЮ ГОЛІВКОЮ ЗА ГОДИННИКОВОЮ СТРІЛКОЮ.

Для інструмента із внутрішнім фланцем під полотно, діаметр отвору якого є іншим, ніж 15,88 мм

- **Рис.16:** 1. Вал кріплення 2. Внутрішній фланець
3. Диск пили 4. Зовнішній фланець
5. Болт із шестигранною голівкою

Внутрішній фланець має виступ певного діаметра з одного боку та виступ з діаметром, що відрізняється від попереднього, з іншого боку. Виберіть правильний бік, виступ якого точно підходить до отвору полотна.

Потім встановіть внутрішній фланець на вал кріплення таким чином, щоб бік внутрішнього фланця з правильним виступом був направлений назовні, після чого встановіть полотно пили та зовнішній фланець.

ОБОВ'ЯЗКОВО МІЦНО ЗАТЯГНІТЬ БОЛТ ІЗ ШЕСТИГРАННОЮ ГОЛІВКОЮ ЗА ГОДИННИКОВОЮ СТРІЛКОЮ.

⚠ОБЕРЕЖНО:

- **Переконайтеся, що виступ "а" на внутрішньому фланці, направлений назовні, точно підходить до отвору "а" полотна пили.** Встановлення полотна на виступ іншого діаметра може призвести до небезпечної вібрації.

- **Рис.17:** 1. Кільце 2. Внутрішній фланець 3. Диск пили 4. Зовнішній фланець 5. Болт із шестигранною голівкою

Під час зміни полотна слід також очистити верхній та нижній кожухи полотна від тирси, що накопилась. Однак, такі дії на заміщують необхідності перевірки роботи нижнього кожуха перед кожним використанням.

Зберігання шестигранного ключа

- **Рис.18:** 1. Шестигранний ключ

Коли шестигранний ключ не використовується, щоб він не загубився, його слід зберігати як показано на малюнку.

Підключення пилососа

- **Рис.19:** 1. Штуцер для пилу 2. Гвинт

- **Рис.20:** 1. Пилосос 2. Шланг

Якщо ви хочете виконати операції з різання із дотриманням чистоти, до інструмента слід підключити пилосос Makita. Встановіть наконечник для пилу на інструмент за допомогою гвинтів. Потім приєднайте шланг пилососа до наконечника для пилу, як показано на малюнку.

ЗАСТОСУВАННЯ

⚠ОБЕРЕЖНО:

- Інструмент слід плавно переміщати по прямій лінії. Докладання зусиль або переключування інструмента можуть призвести до його перегріву та небезпечної віддачі, що в свою чергу може призвести до серйозних травм.
- Слід завжди використовувати задню й передню ручки та міцно тримати інструмент за обидві ручки під час роботи.

Інструмент слід тримати міцно. На інструменті є як передня, так і задня ручка. Тримати інструмент слід за обидві ручки. Якщо пилу тримати обома руками, то вони не можуть бути порізані полотном. Встановіть основу на деталь, що різатиметься таким чином, щоб полотно її не торкалось. Потім увімкніть інструмент та заждіть, доки полотно набере повної швидкості. Тепер слід просто перемістити інструмент вперед по поверхні деталі, утримуючи його на площині та плавно просуваючи його, доки пиляння не буде завершено.

Для точного різання слід дотримувати прямої лінії, та просувати пилу з однаковою швидкістю. Якщо під час різання напрям різання відхиляється від наміченого, неможна намагатись повернути або силою направити інструмент назад на лінію різання. Такі дії можуть призвести до заклинювання полотна та віддачі із подальшою тяжкою травмою. Відпустіть перемикач, зачекайте, доки полотно зупиниться, а потім заберіть інструмент. Виставте інструмент на нову лінію різання та почніть різання знов. Намагайтесь на займати таких положень, у яких би з-під пили на оператора летіла тирса або тріски. Для запобігання травмам слід вдягати засоби захисту очей.

- **Рис.21**

Напрямна планка (реєстрова мітка)

- **Рис.22:** 1. Затискний важіль 2. Напрямна планка (Реєстрова мітка)

Зручна напрямна планка дозволяє робити найточніші прямі розрізи. Слід просто пересунути напрямну планку впритул до краю деталі та закріпити її у положенні за допомогою затискного важеля в передній частині основи. Це також дає можливість багаторазового виконання розрізів однакової ширини.

ТЕХНІЧНЕ ОБСЛУГОВУВАННЯ

⚠ ОБЕРЕЖНО:

- Перед тим, як оглянути інструмент, або виконати ремонт, переконайтеся, що він вимкнений та відключений від мережі.
- Ніколи не використовуйте газолін, бензин, розріджувач, спирт та подібні речовини. Їх використання може призвести до зміни кольору, деформації та появи тріщин.

Регулювання точності різання під кутом 0° та 45° (вертикальне різання та різання під кутом 45°)

► **Рис.23:** 1. Гвинт регулювання на 0° 2. Гвинт регулювання на 45°

► **Рис.24:** 1. Трикутна лінійка

Регулювання було виконано на заводі. Якщо регулювання збілося, слід відрегулювати гвинти регулювання за допомогою шестигранного ключа, перевіряючи кут полотна 0° або 45° відносно основи за допомогою трикутної лінійки, косинця тощо.

Регулювання паралельності

► **Рис.25:** 1. Станина 2. Гвинт 3. Диск пили

Регулювання паралельності між полотном та основою було виконано на заводі. Інакше її можна відрегулювати, дотримуючись нижченаведеної процедури. Переконайтеся, що всі важелі та гвинти затягнуті. Злегка послабте гвинт, як показано на малюнку. Відкриваючи нижній захисний кожух, перемістіть задню частину основи, щоб відстані А та В були однаковими. Після виконання регулювання затягніть гвинт. Зробіть пробний розріз, щоб досягти паралельності.

Заміна вугільних щіток

► **Рис.26:** 1. Обмежувальна відмітка

Регулярно знімайте та перевіряйте вугільні щітки. Замінійте їх, коли знос сягає граничної відмітки. Вугільні щітки повинні бути чистими та вільно рухатись у щіткотримачах. Одночасно треба замінювати обидві вугільні щітки. Використовуйте лише однакові вугільні щітки. Для виймання ковпачків щіткотримачів користуйтеся викруткою. Видаліть зношені вугільні щітки, вставте нові та закріпіть ковпачки щіткотримачів.

► **Рис.27:** 1. Викрутка 2. Ковпачок щіткотримача

Після заміни щіток увімкніть інструмент в мережу та притрть щітки, давши інструментові попрацювати без навантаження близько 10 хвилин. Потім перевірте інструмент під час роботи, а також роботу електричного гальма, коли відпускається курок вмикача. Якщо електричне гальмо працює неналежним чином, зверніться до сервісного центра Makita для проведення ремонтних робіт. Для того, щоб підтримувати БЕЗПЕКУ та НАДІЙНІСТЬ, ремонт, технічне обслуговування або регулювання мають виконувати уповноважені центри обслуговування "Makita", де використовуються лише стандартні запчастини "Makita".

ДОДАТКОВЕ ПРИЛАДДЯ

⚠ ОБЕРЕЖНО:

- Це оснащення або приладдя рекомендовано для використання з інструментами "Makita", що описані в інструкції з експлуатації. Використання якогось іншого оснащення або приладдя може спричинити травмування. Оснащення або приладдя слід використовувати лише за призначенням.

У разі необхідності, отримати допомогу в більш детальному ознайомленні з оснащенням звертайтеся до місцевого Сервісного центру "Makita".

- Полотно пили
- Напрямна планка (реєстрова мітка)
- Напрямна рейка
- Адаптер напрямної рейки
- Шестигранний ключ
- Муфта

ПРИМІТКА:

- Деякі елементи списку можуть входити до комплекту інструмента як стандартне приладдя. Вони можуть відрізнитися залежно від країни.

SPECYFIKACJE

Model		HS6100	HS6101	HS7100	HS7101
Średnica tarczy		165 mm		190 mm	
Maks. głębokość cięcia	przy kącie 0°	54,5 mm		67 mm	
	przy kącie 45°	39,5 mm		48,5 mm	
	przy kącie 50°	35,5 mm		43,5 mm	
Prędkość bez obciążenia (min ⁻¹)		5 500			
Długość całkowita		297 mm		310 mm	
Ciężar netto		3,5 kg	3,5 kg	3,7 kg	3,8 kg
Klasa bezpieczeństwa		□/II			

- W związku ze stale prowadzonym przez naszą firmę programem badawczo-rozwojowym niniejsze dane mogą ulec zmianom bez wcześniejszego powiadomienia.
- Dane techniczne mogą różnić się w zależności od kraju.
- Ciężar podany zgodnie z procedurą EPTA 01/2014

Przeznaczenie

Narzędzie przeznaczone jest do wykonywania wzdłużnych i poprzecznych cięć prostych oraz cięć pod kątem w drewnie, gdy spoczywa ono na obrabianym elemencie. W przypadku zastosowania odpowiednich tarczy tnących, istnieje również możliwość cięcia aluminium.

W przypadku niskonapięciowych sieci elektroenergetycznych o napięciu pomiędzy 220 V a 250 V.

Włączanie i wyłączanie urządzeń elektrycznych powoduje wahanie napięcia. Posługiwanie się urządzeniem przy niesprzyjających parametrach zasilania może mieć niekorzystny wpływ na działanie innych urządzeń. Przy impedancji sieci zasilającej mniejszej lub równej 0,32 Ohm można założyć, że niekorzystne efekty nie wystąpią. Gniazdo zasilające używane do podłączenia tego urządzenia powinno być zabezpieczone bezpiecznikiem topikowym lub automatycznym o zwłocznej charakterystyce wyłączenia.

Poziomy hałas i drgań

Poziomy równoważny poziom dźwięku A określony w oparciu o EN62841:

Model HS6100, HS6101

Poziom ciśnienia akustycznego (L_{PA}): 98 dB (A)

Poziom mocy akustycznej (L_{WA}): 109 dB (A)

Niepewność (K): 3 dB (A)

Model HS7100, HS7101

Poziom ciśnienia akustycznego (L_{PA}): 97 dB (A)

Poziom mocy akustycznej (L_{WA}): 108 dB (A)

Niepewność (K): 3 dB (A)

Należy stosować ochraniacze na uszy

Drgania

Całkowita wartość poziomu drgań (suma wektorów w 3 ośiach) określona zgodnie z normą EN62841:

Model HS6100, HS6101

Tryb pracy: cięcie drewna

Emisja drgań (a_{h,w}): 2,5 m/s² lub mniej

Niepewność (K): 1,5 m/s²

Tryb pracy: cięcie metalu

Emisja drgań (a_{h,M}): 2,5 m/s²

Niepewność (K): 1,5 m/s²

Model HS7100, HS7101

Tryb pracy: cięcie drewna

Emisja drgań (a_{h,w}): 2,5 m/s² lub mniej

Niepewność (K): 1,5 m/s²

Tryb pracy: cięcie metalu

Emisja drgań (a_{h,M}): 2,5 m/s²

Niepewność (K): 1,5 m/s²

WSKAZÓWKA: Deklarowana wartość wytwarzanych drgań została zmierzona zgodnie ze standardową metodą testową i można ją wykorzystywać do porównywania narzędzi.

WSKAZÓWKA: Deklarowaną wartość wytwarzanych drgań można także wykorzystywać we wstępnej ocenie narażenia.

OSTRZEŻENIE: Drgania wytwarzane podczas rzeczywistego użytkowania elektronarzędzia mogą się różnić od wartości deklarowanej, w zależności od sposobu jego użytkowania.

OSTRZEŻENIE: W oparciu o szacowane narażenie w rzeczywistych warunkach użytkowania należy określić środki bezpieczeństwa w celu ochrony operatora (uwzględniając wszystkie elementy cyklu działania, tj. czas, kiedy narzędzie jest wyłączone i kiedy pracuje na biegu jałowym, a także czas, kiedy jest włączone).

Deklaracja zgodności WE

Dotyczy tylko krajów europejskich

Deklaracja zgodności WE jest dołączona jako załącznik A do niniejszej instrukcji obsługi.

Ogólne zasady bezpiecznej eksploatacji elektronarzędzi

OSTRZEŻENIE: Należy zapoznać się z ostrzeżeniami dotyczącymi bezpieczeństwa, instrukcjami, ilustracjami i danymi technicznymi dołączonymi do tego elektronarzędzia. Niezastosowanie się do podanych poniżej instrukcji może prowadzić do porażenia prądem, pożaru i/lub poważnych obrażeń ciała.

Wszystkie ostrzeżenia i instrukcje należy zachować do wykorzystania w przyszłości.

Pojęcie „elektronarzędzie”, występujące w wymienionych tu ostrzeżeniach, odnosi się do elektronarzędzia zasilanego z sieci elektrycznej (z przewodem zasilającym) lub do elektronarzędzia akumulatorowego (bez przewodu zasilającego).

Ostrzeżenia dotyczące bezpieczeństwa dla pilarki tarczowej

Procedury cięcia

1. **⚠ NIEBEZPIECZEŃSTWO:** Trzymać ręce z dala od obszaru cięcia oraz tarczy. Drugą dłoń trzymać na dodatkowym uchwycie lub na obu-
dowie silnika. Jeśli obie dłonie trzymają pilarkę, nie mogą zostać przecięte przez tarczę.
2. Nie wolno sięgać rękoma pod spód obrabianego elementu. Osłona nie chroni użytkownika przed tarczą wychodzącą spod spodu obrabianego elementu.
3. Głębokość cięcia należy dostosować do grubości obrabianego elementu. Spod spodu obrabianego elementu może wystawać najwyżej niecały ząb tarczy.
4. Obrabianego elementu nie wolno trzymać w rękach ani na nogach. Obrabiany element należy przymocować do stabilnej podstawy. Prawidłowe podparcie elementu jest istotne, ponieważ minimalizuje zagrożenia dla operatora i ryzyko zakleszczenia się tarczy oraz utraty kontroli.

► Rys.1

5. Trzymać elektronarzędzie za izolowane powierzchnie rękojeści podczas wykonywania prac, przy których narzędzie tnące może dotknąć niewidocznej instalacji elektrycznej. Zetknięcie z przewodem elektrycznym znajdującym się pod napięciem spowoduje, że odsłonięte elementy metalowe narzędzia również znajdą się pod napięciem, grożąc porażeniem operatora prądem elektrycznym.
6. Podczas cięcia wzdłużnego należy zawsze stosować prowadnicę wzdłużną lub szynę prowadzącą. Zwiększa to dokładność cięcia i zmniejsza prawdopodobieństwo zakleszczenia tarczy.
7. Zawsze należy używać tarcz o prawidłowym rozmiarze i kształcie (romb lub koło) otworu na walek. Tarcze, które nie pasują do osprzętu do ich montażu w narzędziu, będą obracać się mimośrodkowo, powodując utratę kontroli.
8. Nie wolno używać uszkodzonych ani niewłaściwych podkładek i śrub do mocowania tarczy. Podkładki i śruby do mocowania tarczy zostały zaprojektowane specjalnie dla opisywanego narzędzia w celu zapewnienia jego optymalnego działania i bezpieczeństwa obsługi.

Przyczyny odrzutu i związane z tym ostrzeżenia:

- odrzut stanowi nagłą reakcję zakleszczonej, zablokowanej lub wygiętej tarczy, polegającą na niekontrolowanym uniesieniu pilarki w górę i wyrzuceniu jej z obrabianego elementu w kierunku operatora;

- gdy w skutek zaciskania się lub zablokowania materiału z obu stron rządu tarcza zakleszczy się, wówczas reakcja silnika spowoduje gwałtowne wypchnięcie urządzenia w tył w kierunku operatora;
 - jeśli podczas cięcia prowadzona w materiale tarcza zostanie skrzywiona lub wygięta, zęby znajdujące się na jej tylnej krawędzi mogą wkląć się w górną powierzchnię drewna, wypychając tarczę z rzazu i powodując odskoczenie narzędzia do tyłu w kierunku operatora.
- Odrzut jest wynikiem nieprawidłowego używania pilarki i/lub niewłaściwych procedur lub warunków jej obsługi. Można tego uniknąć, podejmując odpowiednie środki ostrożności, które podano poniżej.

1. Przez cały czas pilarkę należy trzymać mocno oburącz, ustawiając ręce w taki sposób, aby przeciwdziałać siłom odrzutu. Nie wolno stawać na linii rzazu, lecz po jednej albo po drugiej jej stronie. Odrzut może spowodować odskoczenie pilarki w tył. Operator może jednak kontrolować siły odrzutu, jeśli zostaną podjęte odpowiednie środki ostrożności.
2. W przypadku zakleszczenia się tarczy lub przerwania operacji cięcia z jakiegokolwiek powodu należy zwolnić spust przełącznika, trzymając pilarkę w materiale do momentu całkowitego zatrzymania się tarczy. Nie wolno wyciągać ani wycofywać pilarki z przecinanego elementu, gdy tarcza znajduje się w ruchu, bowiem w przeciwnym razie może wystąpić odrzut. Zbadać przyczynę zakleszczenia się tarczy i podjąć stosowne działania, aby wyeliminować problem.
3. Przed ponownym uruchomieniem pilarki znajdującej się w obrabianym elemencie należy ustawić tarczę tnącą w środku rzazu tak, żeby zęby tarczy nie były wbite w materiał. Jeśli tarcza tnąca zablokuje się, wówczas w momencie uruchomienia pilarki może zostać wypchnięta ku górze albo wystąpi odrzut.
4. Duże płyty należy podpierać, aby zminimalizować ryzyko zakleszczenia się tarczy i odrzutu. Duże płyty mają tendencję do wyginania się pod własnym ciężarem. Podpory muszą być ustawione pod płytą w sąsiedztwie linii cięcia po obu jej stronach oraz w pobliżu końców płyty.

► Rys.2

► Rys.3

5. Nie wolno używać tępych ani uszkodzonych tarcz. Nienaostrome lub niewłaściwie założone tarcze dają wąski rzaz, który jest przyczyną nadmiernego tarcia, zakleszczenia się tarczy i odrzutów.
6. Dźwignie blokujące regulacji głębokości tarczy i kąta muszą być dobrze dokręcone i zaciśnięte przed przystąpieniem do cięcia. Jeśli ustawienie tarczy zmienia się podczas cięcia, może spowodować zakleszczenie się tarczy i odrzut narzędzia.
7. Należy zachować szczególną ostrożność w przypadku wykonywania cięcia w ścianach bądź innych zakrytych powierzchniach. Wystająca tarcza może przeciąć niewidoczne elementy, które z kolei mogą wywołać odrzut.
8. Narzędzie należy ZAWSZE trzymać mocno oburącz. Nie wolno NIGDY trzymać rąk, nóg ani innych części ciała pod podstawą narzędzia ani za nim, zwłaszcza podczas wykonywania cięć poprzecznych. W przypadku wystąpienia odrzutu pilarka może z łatwością odskoczyć w tył, przesuwać się po ręce, powodując poważne obrażenia.

► Rys.4

9. **Pilarkę należy prowadzić bez używania nadmiernej siły. Pilarkę należy popychać do przodu z prędkością, przy której tarcza nie zwalnia podczas cięcia.** Popychanie z nadmierną siłą może bowiem powodować powstawanie nierównych rzazów, prowadzić do utraty precyzji cięcia i stwarzać możliwość odrzutu.

Funkcja osłony

1. **Każdorazowo przed użyciem sprawdzić, czy dolna osłona prawidłowo się zamyka. Nie uruchamiać pilarki, jeśli dolna osłona nie przesuwa się swobodnie lub zamyka się z opóźnieniem. Nie wolno w żadnym wypadku przywiązywać dolnej osłony ani w inny sposób jej unieruchamiać w pozycji otwartej.** Jeśli narzędzie przypadkowo upadnie, dolna osłona może ulec wygięciu. W takim przypadku unieść dolną osłonę za pomocą uchwytu cofania i upewnić się, że osłona przesuwa się swobodnie i nie dotyka tarczy ani innego elementu przy wszystkich ustawieniach kąta i głębokości cięcia.
2. **Sprawdź działanie sprężyny dolnej osłony. Jeśli osłona i sprężyna nie działają prawidłowo, wówczas przed użyciem narzędzia należy zlecić ich naprawę.** Dolna osłona może przesuwać się z oporami wskutek uszkodzonych elementów, osadów żywicy oraz nagromadzonych zabrudzeń.
3. **Dolną osłonę wolno cofać ręcznie tylko w przypadku specjalnych cięć, takich jak „cięcia wgłębne” i „cięcia złożone”. Unieść dolną osłonę za pomocą uchwytu cofania i, gdy tylko tarcza wejdzie w materiał, zwolnić ją.** W przypadku pozostałych operacji cięcia dolna osłona powinna działać w sposób automatyczny.
4. **Przed odłożeniem narzędzia na stół lub podłogę należy zwrócić uwagę, czy dolna osłona zasłania tarczę.** Nieosłonięta tarcza, obracająca się siłą rozpędu, spowoduje ruch narzędzia do tyłu, które będzie cięło wszystko, co napotka na swojej drodze. Należy mieć świadomość, że od momentu zwolnienia przełącznika do chwili zatrzymania się tarczy upływa pewien czas.
5. **W celu skontrolowania dolnej osłony należy ją otworzyć ręką, a następnie zwolnić, obserwując, w jaki sposób się zamyka. Należy również sprawdzić, czy uchwyt cofania nie dotyka obudowy narzędzia.** Odsłonięta tarcza stanowi **BARDZO DUŻE NIEBEZPIECZEŃSTWO** i może prowadzić do poważnych obrażeń ciała.

Dodatkowe ostrzeżenia dotyczące bezpieczeństwa

1. **W przypadku cięcia wilgotnego drewna, impregnowanej ciśnieniowo tarczy lub drewna z sękami należy zachować szczególną ostrożność.** Utrzymywać jednostajny ruch posuwisty narzędzia bez zmniejszania prędkości obrotowej tarczy w celu uniknięcia przegrzania się zębów piły.
2. **Nie wolno usuwać przeciętego materiału, gdy tarcza jest w ruchu. Przed chwytniem przeciętego materiału należy odczekać, aż tarcza zatrzyma się.** Po wyłączeniu tarczy dalej obracają się siłą rozpędu.

3. **Należy unikać cięcia gwoździ. Przed przystąpieniem do cięcia należy skontrolować tarcicę i usunąć z niej wszystkie gwoździe.**
4. **Podstawę pilarki umieścić po tej stronie obrabianego elementu, która jest dobrze podparta, a nie po tej, która odpadnie w momencie przecięcia. Jeśli obrabiany element jest krótki lub ma niewielkie rozmiary, należy go unieruchomić. NIE WOLNO PRZYTRZYMYWAĆ KRÓTKICH ELEMENTÓW RĘKĄ!**

► Rys.5

5. **Przed odłożeniem narzędzia po zakończonej operacji cięcia należy upewnić się, czy osłona zamknęła się oraz czy tarcza całkowicie się zatrzymała.**
 6. **Nie wolno podejmować prób cięcia pilarką zamocowaną do góry nogami w imadle. Jest to wyjątkowo niebezpieczne i może prowadzić do poważnych wypadków.**
- #### ► Rys.6
7. **Niektóre materiały zawierają substancje chemiczne, które mogą być toksyczne. Unikać wdychania pyłu i kontaktu ze skórą. Przestrzegać przepisów bezpieczeństwa podanych przez dostawcę materiałów.**
 8. **Nie wolno zatrzymywać tarczy, wywierając na nią poprzeczny nacisk.**
 9. **Nie wolno używać tarcz ściernych.**
 10. **Używać wyłącznie tarczy o średnicy oznaczonej na narzędziu lub określonej w instrukcji.** Korzystanie z tarczy o nieodpowiednim rozmiarze może uniemożliwić prawidłowe zabezpieczenie tarczy lub zakłócić działanie osłony, co może skutkować odniesieniem poważnych obrażeń ciała.
 11. **Tarcza powinna być zawsze naostrzona i czysta.** Stwardniała żywica i smoła drzewna na tarczach spawalnia ruch obrotowy pilarki i zwiększa ryzyko odrzutu. Tarcza powinna być zawsze czysta. W celu oczyszczenia tarczy należy ją najpierw zdjąć z narzędzia, następnie oczyścić zmywaczem do żywicy i smoły, gorącą wodą lub naftą. Nie wolno stosować benzyny.
 12. **Do pracy należy zakładać maskę przeciwpyłową oraz ochronnik słuchu.**
 13. **Zawsze używać tarczy tnącej przeznaczonej do cięcia materiału, który ma być cięty.**
 14. **Stosować wyłącznie tarcze tnące z oznaczeniem prędkości równej lub wyższej niż wartość prędkości oznaczonej na narzędziu.**
 15. **(Dotyczy tylko krajów europejskich). Zawsze używaj tarczy zgodnej z normą EN847-1.**

ZACHOWAĆ NINIEJSZĄ INSTRUKCJĘ.

⚠ OSTRZEŻENIE: NIE WOLNO pozwolić, aby wygoda lub rutyna (nabyta w wyniku wielokrotnego używania urządzenia) zastąpiły ściśle przestrzeganie zasad bezpieczeństwa obsługi. NIEWŁAŚCIWE UŻYTKOWANIE narzędzia lub niestosowanie się do zasad bezpieczeństwa podanych w niniejszej instrukcji obsługi może prowadzić do poważnych obrażeń ciała.

OPIS DZIAŁANIA

⚠ PRZESTROGA:

- Przed rozpoczęciem regulacji i sprawdzania działania elektronarzędzia, należy upewnić się, czy jest ono wyłączone i nie podłączone do sieci.

Dostosowywanie głębokości cięcia

► **Rys.7:** 1. Dźwignia

⚠ PRZESTROGA:

- Po zakończeniu regulacji głębokości cięcia należy zawsze dobrze dokręcić dźwignię.

Poluzuj dźwignię na prowadnicy głębokości i przesuń podstawę w górę lub w dół. Po ustawieniu wybranej głębokości cięcia zablokuj podstawę dokręcając dźwignię. Głębokość cięcia powinna być ustawiona w taki sposób, aby pod spodem przecinanego elementu tarcza nie wystawała więcej niż na wysokość jednego zęba, co zapewni czystsze i bezpieczniejsze cięcie. Stosowanie prawidłowego ustawienia głębokości cięcia zmniejsza ryzyko niebezpiecznych ODRZUTÓW, które grożą obrażeniami ciała.

Cięcie pod kątem

► **Rys.8:** 1. Dźwignia przednia

► **Rys.9:** 1. Tylna nakrętka motylkowa

Poluzować dźwignię przednią oraz tylną nakrętkę motylkową. Ustawić wymagany kąt (0° - 50°), przechylać odpowiednio narzędzie, a następnie dobrze zamocować dźwignię i nakrętkę motylkową.

► **Rys.10:** 1. Ogranicznik

Do precyzyjnego cięcia pod kątem 45° służy ogranicznik kąta 45° . Obrócić ogranicznik do oporu zgodnie z ruchem wskazówek zegara do cięcia pod kątem (0° - 45°), a następnie przeciwnie do ruchu wskazówek zegara do cięcia pod kątem 0° - 50° .

Prowadzenie narzędzia wzdłuż zadanej linii

► **Rys.11:** 1. Punkt 0° 2. Punkt 45° 3. Linia cięcia 4. Wkręt

W przypadku cięć prostych wyrównać punkt 0° w przedniej części podstawy z linią cięcia. W przypadku cięć pod kątem 45° , należy wyrównać z nią punkt 45° . Położenie górnej prowadnicy posiada możliwość regulacji.

Włączanie

► **Rys.12:** 1. Spust przełącznika 2. Przycisk blokady

⚠ PRZESTROGA:

- Przed podłączeniem elektronarzędzia do sieci zawsze sprawdzać czy spust włącznika działa poprawnie i wraca do pozycji "OFF" po zwolnieniu.

Urządzenie wyposażone jest w przycisk blokady zamykania, który zapobiega przypadkowemu pociągnięciu za język spustowy przełącznika. Aby uruchomić narzędzie, wcisnąć przycisk blokady i pociągnij za język spustowy przełącznika. W celu zatrzymania urządzenia wystarczy zwolnić język spustowy przełącznika. Nie ciągnąć mocno dźwigni przełącznika bez pociągnięcia dźwigni blokady. Może to spowodować uszkodzenie przełącznika.

Włączanie lampki

Dla modelu **HS6101, HS7101**

⚠ PRZESTROGA:

- Nie patrzeć na światło ani bezpośrednio na źródło światła.

► **Rys.13:** 1. Lampka

Kontrolka zasilania zapala się w momencie podłączenia narzędzia do zasilania. Świeci się ona, dopóki narzędzie nie zostanie odłączone od zasilania.

WSKAZÓWKA:

- Użyć suchej tkaniny aby zetrzeć zanieczyszczenia z osłony lampki. Uważać, aby nie zarysować osłony lampki, gdyż może to zmniejszyć natężenie oświetlenia.
- Do czyszczenia soczewki lampki nie wolno używać benzyny, rozcieńczalnika ani im podobnych substancji. Stosując tego typu substancje można uszkodzić soczewkę.

MONTAŻ

⚠ PRZESTROGA:

- Przed wykonywaniem jakichkolwiek czynności na elektronarzędziu należy upewnić się, czy jest ono wyłączone i nie podłączone do sieci.

Demontaż lub montaż tarczy

⚠ PRZESTROGA:

- Tarczę należy montować w taki sposób, aby zęby znajdujące się w przedniej części narzędzia były skierowane ku górze.
- Do zakładania i zdejmowania tarczy należy używać wyłącznie klucza firmy Makita.

► **Rys.14:** 1. Klucz sześciokątny 2. Odkręcanie 3. Dokręcić 4. Blokada wału

W celu zdemontowania tarczy należy nacisnąć blokadę wałka, aby tarcza nie mogła się obracać, i odkręcić kluczem śrubę sześciokątną przeciwnie do ruchu wskazówek zegara. Następnie wyciągnij śrubę sześciokątną i ściągnij kołnierz zewnętrzny oraz tarczę.

Dotyczy narzędzia z kołnierzem wewnętrznym dla tarczy tnącej z otworem o średnicy 15,88 mm

- **Rys.15:** 1. Walek montażowy 2. Kołnierz wewnętrzny 3. Tarcza 4. Kołnierz zewnętrzny 5. Śruba sześciokątna

Zamontować kołnierz na walek montażowym, wewnętrznym wgłębieniem skierowanym na zewnątrz, po czym założyć tarczę tnącą, kołnierz zewnętrzny i śrubę imbusową.

SOLIDNIE DOKRĘCIĆ ŚRUBĘ IMBUSOWĄ W PRAWO.

Dotyczy narzędzia z kołnierzem wewnętrznym dla tarczy tnącej z otworem o średnicy innej niż 15,88 mm

- **Rys.16:** 1. Walek montażowy 2. Kołnierz wewnętrzny 3. Tarcza 4. Kołnierz zewnętrzny 5. Śruba sześciokątna

Po obu stronach kołnierza wewnętrznego znajdują się występy o różnej średnicy. Należy wybrać odpowiednią stronę, której występ idealnie pasuje do otworu tarczy tnącej.

Następnie zamontować kołnierz wewnętrzny na walek montażowy, prawidłową stroną z występem skierowaną na zewnątrz, po czym założyć tarczę tnącą i kołnierz zewnętrzny.

SOLIDNIE DOKRĘCIĆ ŚRUBĘ IMBUSOWĄ W PRAWO.

▲ PRZESTROGA:

- **Upewnij się, że występ „a” na kołnierzu wewnętrznym ustawiony na zewnątrz idealnie pasuje do otworu „a” tarczy tnącej.** Montaż tarczy tnącej złą stroną może spowodować niebezpieczne wibracje.

- **Rys.17:** 1. Pierścień 2. Kołnierz wewnętrzny 3. Tarcza 4. Kołnierz zewnętrzny 5. Śruba sześciokątna

W przypadku wymiany tarczy należy koniecznie oczyścić osłonę górną i dolną z nagromadzonych trocin. Czynność ta jednak nie może zastąpić kontroli poprawności działania osłony dolnej przed każdorazowym użyciem narzędzia.

Przechowywanie klucza sześciokątnego

- **Rys.18:** 1. Klucz sześciokątny

Klucz sześciokątny, gdy nie jest używany, należy przechowywać zgodnie z rysunkiem, aby nie zapodziać się.

Podłączenie odkurzacza

- **Rys.19:** 1. Dysza odpylania 2. Wkręt

- **Rys.20:** 1. Odkurzacz 2. Wąż

W celu zachowania czystości podczas operacji cięcia, podłącz do narzędzia odkurzacz firmy Makita. Przymocuj dyszę odpylania na narzędziu przy pomocy śruby. Następnie do dyszy odpylania podłącz wąż odkurzacza według rysunku.

DZIAŁANIE

▲ PRZESTROGA:

- Narzędzie należy prowadzić spokojnie wzdłuż linii prostej. Stosowanie nadmiernej siły lub zmiana kierunku prowadzenia narzędzia powoduje przegrzanie silnika i stwarza zagrożenie wystąpienia niebezpiecznego odrzutu, który może być przyczyną poważnych obrażeń.
- Należy zawsze używać uchwytu przedniego i rękojści tylnej, a podczas pracy trzymać narzędzie zarówno za uchwyt, jak i rękojeść.

Narzędzie trzymać mocno i pewnie. Narzędzie zaopatrzone jest zarówno w uchwyt przedni jak i rękojeść tylną. Należy używać obu wspomnianych elementów, aby zapewnić pewny chwyt. Jeżeli pilarka trzymana jest oburącz, nie ma możliwości pokaleczenia rąk przez tarczę. Ustaw podstawę narzędzia na elemencie do cięcia w taki sposób, aby tarcza nie stykała się z nim. Następnie włącz narzędzie i odczekaj, aż tarcza uzyska pełną prędkość. Następnie po prostu przesuwaj narzędzie płynnie do przodu nad ciętym materiałem, trzymając je płasko, aż do zakończenia cięcia.

Aby uzyskać gładkie rzazy, staraj się ciąć w linii prostej i utrzymywać stałą prędkość posuwu. Jeżeli narzędzie zboczy z zamierzonej linii cięcia, nie próbuj skręcać narzędziem ani wracać do niej na siłę. Można bowiem w ten sposób zakleszczyć tarczę, zwiększając ryzyko niebezpiecznego odrzutu i ewentualnych poważnych obrażeń. Zwolnij przełącznik, odczekaj, aż tarcza zatrzyma się, a następnie wycofaj narzędzie. Ustaw narzędzie wzdłuż nowej linii cięcia i rozpocznij cięcie na nowo. Stań w taki sposób, aby wylatujące z pilarki wióry i trociny były skierowane w przeciwną stronę. Korzystaj z okularów ochronnych, aby zmniejszyć ryzyko zaprószenia.

- **Rys.21**

Prowadnica wzdłużna

- **Rys.22:** 1. Dźwignia zaciskowa 2. Prowadnica wzdłużna

Poręczna prowadnica wzdłużna pozwala wykonywać wyjątkowo dokładne cięcia proste. Wystarczy tylko ciasno nasunąć prowadnicę na krawędź elementu do cięcia i zablokować ją w tym położeniu za pomocą dźwigni dociskowej w przedniej części podstawy. Umożliwia ona również wykonywanie powtarzalnych cięć o tej samej szerokości.

KONSERWACJA

▲ PRZESTROGA:

- Przed wykonywaniem kontroli i konserwacji należy się zawsze upewnić, czy elektronarzędzie jest wyłączone i nie podłączone do sieci.
- Nie wolno używać benzyny, benzenu, rozpuszczalnika, alkoholu itp. Substancje takie mogą spowodować odbarwienia, odkształcenia lub pęknięcia.

Regulacja dokładności cięcia 0° i 45° (w pionie i pod kątem 45°)

► **Rys.23:** 1. Śruba regulacyjna dla 0° 2. Śruba regulacyjna dla 45°

► **Rys.24:** 1. Ekierek

Ta regulacja została przeprowadzona fabrycznie. Jeżeli występują jednak pewne odstępstwa, wyregulować za pomocą klucza sześciokątnego ustawienie śrub regulacyjnych, kontrolując równocześnie kąt 0° lub 45°, jaki tworzy tarcza z podstawą, wykorzystując w tym celu ekierek, przymiar kąta prostego, itp.

Regulacja równoległości

► **Rys.25:** 1. Podstawa 2. Wkręt 3. Tarcza

Równoległość pomiędzy tarczą a podstawą została wyregulowana fabrycznie. Jeśli jednak równoległość wymaga regulacji, należy wykonać następującą procedurę.

Upewnić się, czy wszystkie dźwignie i śruby są prawidłowo dokręcone. Lekko poluzować śrubę, jak pokazano na rysunku. Po otwarciu dolnej osłony przesunąć tylną część podstawy, tak aby odległość A i B była równa. Po zakończeniu regulacji należy dokręcić śrubę. Wykonać testowe cięcie w celu uzyskania prawidłowej równoległości.

Wymiana szczotek węglowych

► **Rys.26:** 1. Znak ograniczenia

Systematycznie wyjmować i sprawdzać szczotki węglowe. Wymieniać je, gdy ich zużycie sięga znaku granicznego. Szczotki powinny być czyste i łatwo wchodzić w uchwyt. Należy wymieniać obydwie szczotki jednocześnie. Stosować wyłącznie identyczne szczotki węglowe.

Do wyjęcia pokrywek uchwytów szczotek używać śrubokrętu. Wyjąć zużyte szczotki węglowe, włożyć nowe i zabezpieczyć pokrywkami uchwytów szczotek.

► **Rys.27:** 1. Śrubokręt 2. Pokrywka uchwytu szczotki

Po wymianie szczotek należy włączyć urządzenie i dopasować szczotki, uruchamiając narzędzie na około 10 minut bez obciążenia. Następnie sprawdzić działanie narzędzia podczas pracy. Skontrolować również skuteczność hamulca elektrycznego po zwolnieniu języka spustowego przełącznika. Jeśli hamulec elektryczny nie działa prawidłowo, narzędzie należy naprawić w centrum serwisowym firmy Makita.

Dla zachowania BEZPIECZEŃSTWA i NIEZAWODNOŚCI wyrobu, naprawy oraz inne prace konserwacyjne i regulacyjne powinny być wykonywane przez Autoryzowane Centra Serwisowe Makita, wyłącznie przy użyciu części zamiennych Makita.

AKCESORIA OPCJONALNE

PRZESTROGA:

- Zaleca się stosowanie wymienionych akcesoriów i dodatków razem z elektronarzędziem Makita opisanym w niniejszej instrukcji. Stosowanie jakichkolwiek innych akcesoriów i dodatków może stanowić ryzyko uszkodzenia ciała. Stosować akcesoria i dodatki w celach wyłącznie zgodnych z ich przeznaczeniem.

W razie potrzeby, wszelkiej pomocy i szczegółowych informacji na temat niniejszych akcesoriów udziela Państwu lokalne Centra Serwisowe Makita.

- Tarcze tnące
- Prowadnica wzdłużna
- Reling prowadzący
- Adapter prowadnicy
- Klucz sześciokątny
- Złączka

WSKAZÓWKA:

- Niektóre pozycje znajdujące się na liście mogą być dołączone do pakietu narzędziowego jako akcesoria standardowe. Mogą to być różne pozycje, w zależności od kraju.

SPECIFICAȚII

Model		HS6100	HS6101	HS7100	HS7101
Diametrul pânzei de ferăstrău		165 mm		190 mm	
Adâncime maximă de tăiere	la 0°	54,5 mm		67 mm	
	la 45°	39,5 mm		48,5 mm	
	la 50°	35,5 mm		43,5 mm	
Turație în gol (min ⁻¹)		5.500			
Lungime totală		297 mm		310 mm	
Greutate netă		3,5 kg	3,5 kg	3,7 kg	3,8 kg
Clasa de siguranță		□/II			

- Datorită programului nostru continuu de cercetare și dezvoltare, specificațiile pot fi modificate fără o notificare prealabilă.
- Specificațiile pot varia în funcție de țară.
- Greutatea este specificată conform procedurii EPTA 01/2014

Destinația de utilizare

Mașina este destinată executării tăierilor longitudinale și transversale, drepte și oblice, în lemn, menținând un contact ferm cu piesa de prelucrat. Cu pânze de ferăstrău adecvate, pot fi executate și tăieri ale aluminiului.

Pentru sisteme publice de distribuție a energiei electrice de joasă tensiune între 220 V și 250 V.

Operațiile de comutare ale aparatului electric generează fluctuații ale tensiunii. Funcționarea acestui dispozitiv în condiții de alimentare electrică nefavorabile poate afecta funcționarea altor echipamente. Cu o impedanță a rețelei electrice mai mică de 0,32 Ohmi, se poate presupune că nu vor exista efecte negative. Priza de alimentare folosită pentru acest dispozitiv trebuie să fie protejată cu o siguranță fuzibilă sau un întrerupător de protecție cu caracteristică de declanșare lentă.

Emisie de zgomot

Nivelul de zgomot normal ponderat A determinat în conformitate cu EN62841:

Model HS6100, HS6101

Nivel de presiune acustică (L_{pA}): 98 dB (A)

Nivel de putere acustică (L_{WA}): 109 dB (A)

Marjă de eroare (K): 3 dB (A)

Model HS7100, HS7101

Nivel de presiune acustică (L_{pA}): 97 dB (A)

Nivel de putere acustică (L_{WA}): 108 dB (A)

Marjă de eroare (K): 3 dB (A)

Purtați mijloace de protecție a auzului

Vibrații

Valoarea totală a vibrațiilor (suma vectorilor tri-axiali) determinată conform EN62841:

Model HS6100, HS6101

Mod de funcționare: tăierea lemnului

Emisie de vibrații ($a_{h,W}$): 2,5 m/s² sau mai puțin

Marjă de eroare (K): 1,5 m/s²

Mod de lucru: tăiere metal

Emisie de vibrații ($a_{h,M}$): 2,5 m/s²

Marjă de eroare (K): 1,5 m/s²

Model HS7100, HS7101

Mod de funcționare: tăierea lemnului

Emisie de vibrații ($a_{h,W}$): 2,5 m/s² sau mai puțin

Marjă de eroare (K): 1,5 m/s²

Mod de lucru: tăiere metal

Emisie de vibrații ($a_{h,M}$): 2,5 m/s²

Marjă de eroare (K): 1,5 m/s²

NOTĂ: Nivelul de vibrații declarat a fost măsurat în conformitate cu metoda de test standard și poate fi utilizat pentru compararea unei uneelte cu alta.

NOTĂ: Nivelul de vibrații declarat poate fi, de asemenea, utilizat într-o evaluare preliminară a expunerii.

AVERTIZARE: Nivelul de vibrații în timpul utilizării reale a uneeltei electrice poate diferi de valoarea nivelului declarat, în funcție de modul în care unealta este utilizată.

AVERTIZARE: Asigurați-vă că identificați măsurile de siguranță pentru a proteja operatorul, acestea fiind bazate pe o estimare a expunerii în condiții reale de utilizare (luând în considerare toate părțile ciclului de operare, precum timpul în care unealta a fost oprită, sau a funcționat în gol, pe lângă timpul de declanșare).

Declarație de conformitate CE

Numai pentru țările europene

Declarația de conformitate CE este inclusă ca Anexa A în acest manual de instrucțiuni.

Avertismente generale de siguranță pentru mașinile electrice

⚠️ AVERTIZARE: Citiți toate avertismentele privind siguranța, instrucțiunile, ilustrațiile și specificațiile furnizate cu această sculă electrică. Nerespectarea integrală a instrucțiunilor de mai jos poate cauza electrocutări, incendii și/sau vătămări corporale grave.

Păstrați toate avertismentele și instrucțiunile pentru consultări ulterioare.

Termenul „mașină electrică” din avertizări se referă la mașinile dumneavoastră electrice acționate de la rețea (prin cablu) sau cu acumulator (fără cablu).

Avertismente privind siguranța pentru ferăstrăul circular

Proceduri de tăiere

- ⚠️ PERICOL: Țineți mâinile la distanță de zona de tăiere și de pânda de ferăstrău. Țineți a doua mână pe mânerul auxiliar sau pe carcasa motorului.** Dacă țineți ferăstrăul cu ambele mâini, acestea nu pot fi tăiate de pânda.
- Nu introduceți mâinile sub piesa prelucrată.** Apărătoarea nu vă poate proteja împotriva pânzei sub piesa prelucrată.
- Reglați adâncimea de tăiere la grosimea piesei de prelucrat.** Sub piesa de prelucrat trebuie să fie vizibil mai puțin decât un dinte complet al pânzei.
- Nu țineți niciodată piesa de lucru în mâini sau pe picioare în timpul tăierii.** Fixați piesa de lucru pe o platformă stabilă. Este important să sprijiniți piesa de lucru în mod corespunzător, pentru a minimiza expunerea corpului, riscul de înțepenire a pânzei sau de pierdere a controlului.

► Fig.1

- Țineți mașina electrică doar de suprafețele de prindere izolate atunci când executați o operație în care unealta de tăiere poate intra în contact cu cabluri ascunse sau cu propriul cablu.** Contactul cu un cablu aflat sub tensiune va pune sub tensiune și componentele metalice neizolate ale mașinii și ar putea conduce la electrocutarea operatorului.
- Atunci când tăiați, folosiți întotdeauna un ghidaj opritor sau un ghidaj paralel.** Aceasta va crește acuratețea tăierii și reduce riscul de blocare a pânzei.
- Folosiți întotdeauna pânze cu găuri pentru arbore de dimensiuni și forme corecte (romboidale versus rotunde).** Pânzele care nu se potrivesc cu sistemul de montare al ferăstrăului vor funcționa excentric, provocând pierderea controlului.
- Nu folosiți niciodată șaibe sau șuruburi pentru pânda deteriorate sau necorespunzătoare.** Șaibele și șurubul pentru pânda au fost special concepute pentru acest ferăstrău, în vederea obținerii unei performanțe optime și a siguranței în exploatare.

Cauze ale reculului și avertismente aferente

- reculul este o reacție bruscă la înțepenirea, blocarea sau abaterea de la coliniaritate a pânzei de ferăstrău și cauzează o deplasare necontrolată a ferăstrăului în sus și către operator;
- când pânda este înțepenită sau prinsă strâns de închiderea fantei, pânda se blochează și reacția motorului respinge rapid mașina către operator;
- dacă pânda se răsuțește sau nu mai este coliniară cu linia de tăiere, dinții de la marginea posterioară a pânzei se pot înfițe în fața superioară a lemului, cauzând ieșirea pânzei din fantă și saltul acesteia către operator.

Reculul este rezultatul utilizării incorecte a ferăstrăului și/sau al procedurilor sau condițiilor de lucru necorespunzătoare, putând fi evitat prin adoptarea unor măsuri de precauție adecvate prezentate în continuare.

- Mențineți o priză fermă cu ambele mâini pe ferăstrău și poziționați-vă brațele astfel încât să contracrați forțele de recul. Poziționați-vă corpul de-o parte sau de cealaltă a pânzei, însă nu pe aceeași linie cu aceasta.** Reculul poate provoca un salt înapoi al ferăstrăului, însă forțele de recul pot fi controlate de operator, dacă se adoptă măsuri de precauție adecvate.
- Atunci când pânda se blochează sau atunci când întrerupeți tăierea indiferent de motiv, eliberați butonul declanșator și mențineți ferăstrăul nemișcat în material până când pânda se oprește complet. Nu încercați niciodată să scoateți ferăstrăul din piesa prelucrată sau să trageți ferăstrăul înapoi cu pânda aflată în mișcare deoarece există riscul de recul.** Investigați cauza blocării pânzei și luați măsuri de eliminare a acesteia.
- Atunci când reporniți ferăstrăul din piesa de lucru, centrați pânda de ferăstrău în fantă astfel ca dinții ferăstrăului să nu fie angranați în material.** Dacă pânda de ferăstrău se blochează, aceasta poate urca pe piesa de lucru sau poate recula din aceasta la repornirea ferăstrăului.
- Sprijiniți panourile mari pentru a minimiza riscul de înțepenire și reculare a pânzei.** Panourile mari tind să se încovoie sub propria greutate. Sub panou trebuie amplasate suporturi pe ambele laturi, lângă linia de tăiere și lângă marginea panoului.

► Fig.2

► Fig.3

- Nu folosiți pânze uzate sau deteriorate.** Pânzele neascuțite sau reglate necorespunzător generează o fantă îngustă care cauzează frecare excesivă, înțepenirea pânzei și recul.
- Pârghiile de reglare și blocare a adâncimii și înclinației de tăiere trebuie să fie strânse și fixate înainte de începerea tăierii.** Deplasarea reglajului pânzei în timpul tăierii poate cauza frecare și recul.
- Lucrați cu mare atenție atunci când executați o tăiere în pereții existenți sau în alte zone mascate.** Pânda poate tăia obiecte care pot provoca un recul.

8. **Țineți ÎNTOTDEAUNA** mașina ferm cu ambele mâini. Nu vă poziționați NICIODATĂ mâna, piciorul sau orice parte a corpului sub talpa mașinii sau în spatele ferăstrăului, în special atunci când executați retezări. Dacă apare un recul, ferăstrăul poate sări cu ușurință înapoi peste mâna dumneavoastră, provocând vătămări corporale grave.

► Fig.4

9. Nu forțați niciodată ferăstrăul. Împingeți ferăstrăul înainte la o viteză care să permită pânzei să taie fără să încetinească. Forțarea ferăstrăului poate genera tăieturi neuniforme, reducerea preciziei și posibile reculuri.

Funcția apărătoare

1. Înainte de fiecare utilizare, verificați închiderea corectă a apărătoarei inferioare. Nu folosiți ferăstrăul dacă apărătoarea inferioară nu se mișcă liber și nu se închide instantaneu. Nu blocați și nici nu legați niciodată apărătoarea inferioară în poziția deschisă. Dacă scăpați accidental ferăstrăul, apărătoarea inferioară se poate îndoi. Ridicați apărătoarea inferioară cu maneta de retragere și asigurați-vă că aceasta se mișcă liber și nu atinge pânza sau orice altă piesă, la toate unghiurile și adâncimile de tăiere.
2. Verificați funcționarea arcului apărătoarei inferioare. Dacă apărătoarea și arcul nu funcționează corect, acestea trebuie reparate înainte de utilizare. Apărătoarea inferioară ar putea funcționa anevoios din cauza unor piese defecte, acumulări cleioase sau depuneri de resturi.
3. Apărătoarea inferioară trebuie retrasă manual numai pentru tăieri speciale, cum ar fi „decupările prin plonjare” și „tăierile combinate”. Ridicați apărătoarea inferioară cu maneta de retragere și eliberați-o imediat ce pânza pătrunde în material. Pentru toate celelalte tipuri de tăiere, apărătoarea inferioară trebuie să funcționeze automat.
4. Aveți grijă întotdeauna ca apărătoarea inferioară să acopere pânza înainte de a așeza ferăstrăul pe banc sau podea. O pânză neprotectată, aflată în rotație liberă, va provoca deplasarea ferăstrăului înapoi, tăind orice obiecte din calea ei. Aveți în vedere timpul necesar pentru oprirea completă a pânzei după eliberarea comutatorului.
5. Pentru a verifica apărătoarea inferioară, deschideți-o cu mâna, apoi eliberați-o și urmăriți închiderea ei. Verificați, de asemenea, ca maneta de retragere să nu atingă carcasa mașinii. Lăsarea pânzei expuse este FOARTE PERICULOASĂ și poate conduce la vătămări corporale grave.

Avertismente suplimentare privind siguranța

1. **Lucați cu mare atenție** atunci când tăiați lemn umed, cherestea impregnată sub presiune sau lemn cu noduri. Păstrați o viteză de avansare uniformă pentru mașină fără reducerea vitezei pânzei, pentru a evita supraîncălzirea dinților pânzei.
2. Nu încercați să îndepărtați materialul tăiat în timp ce pânza se mișcă. Așteptați ca pânza să se oprească înainte de a apuca materialul tăiat. Pânzele se rotesc liber după oprire.

3. Evitați tăierea cuielor. Inspectați piesa de prelucrat și eliminați toate cuiile din cherestea înainte de tăiere.

4. Așezați porțiunea mai lată a tălpilor ferăstrăului pe acea porțiune a piesei de prelucrat care este sprijinită solid, și nu pe porțiunea care va cădea în urma tăierii. Dacă piesa de prelucrat este scurtă sau mică, fixați-o. **NU ÎNCERCAȚI SĂ ȚINEȚI PIESELE SCURTE CU MÂNA!**

► Fig.5

5. Înainte de a așeza mașina după finalizarea unei tăieri, asigurați-vă că apărătoarea inferioară s-a închis și că pânza s-a oprit complet.
6. Nu încercați niciodată să tăiați cu ferăstrăul circular fixat în poziție răsturnată într-o menghină. Acest mod de utilizare este extrem de periculos și poate duce la accidente grave.

► Fig.6

7. Unele materiale conțin substanțe chimice care pot fi toxice. Aveți grijă să nu inhalați praful și evitați contactul cu pielea. Respectați instrucțiunile de siguranță ale furnizorului.
8. Nu opriți pânzele aplicând o presiune laterală asupra pânzei de ferăstrău.
9. Nu folosiți discuri abrazive.
10. Utilizați numai pânze de ferăstrău cu diametrul marcat pe mașină sau specificat în manual. Utilizarea unei pânze de altă mărime poate afecta protecția corespunzătoare a pânzei sau funcționarea apărătoarei, putând rezulta accidentări grave.
11. Păstrați pânza ascuțită și curată. Cleiul și rășina întărite pe pânze încetinesc ferăstrăul și măresc riscul de recul. Păstrați pânza curată prin demonstrarea de pe mașină și curățarea acesteia cu soluție de îndepărtat cleiul și rășina, apă fierbinte sau petrol lampant. Nu folosiți niciodată benzină.
12. Purtați o mască de protecție contra prafului și mijloace de protecție auditivă atunci când folosiți mașina.
13. Întotdeauna utilizați pânza de ferăstrău prevăzută pentru tăierea materialului pe care îl veți tăia.
14. Utilizați doar pânze de ferăstrău care sunt marcate cu o turație egală cu sau mai mare decât turația marcată pe mașină.
15. (Numai pentru țările europene) Întotdeauna utilizați lama care este conformă cu EN847-1.

PĂSTRAȚI ACESTE INSTRUCȚIUNI.

▲AVERTIZARE: NU permiteți comodității și familiarizării cu produsul (obținute prin utilizare repetată) să înlocuiască respectarea strictă a normelor de siguranță pentru acest produs. FOLOSIREA INCORECTĂ sau nerespectarea normelor de siguranță din acest manual de instrucțiuni poate provoca vătămări corporale grave.

DESCRIERE FUNCȚIONALĂ

⚠️ ATENȚIE:

- Asigurați-vă că ați oprit mașina și că ați debransat-o de la rețea înainte de a o regla sau de a verifica starea sa de funcționare.

Reglarea adâncimii de așchiere

► Fig.7: 1. Pârghie

⚠️ ATENȚIE:

- După reglarea adâncimii de tăiere, strângeți întotdeauna ferm pârghia.

Slăbiți pârghia de la ghidajul de reglare a adâncimii și deplasați talpa în sus sau în jos. Fixați talpa la adâncimea de tăiere dorită prin strângerea pârghiei. Pentru tăieturi mai curate și mai sigure, reglați adâncimea de tăiere astfel încât sub piesa de prelucrat să nu fie proiectat mai mult de un singur dinte al pânzei. Utilizarea unei adâncimi de tăiere corecte ajută la reducerea potențialului de apariție a RECULULUI care poate provoca vătămări corporale.

Tăierea înclinată

► Fig.8: 1. Pârghie frontală

► Fig.9: 1. Piuliță-fluture posterioară

Slăbiți pârghia frontală și piulița-fluture posterioară. Reglați unghiul dorit (0° - 50°) prin înclinarea corespunzătoare a mașinii, apoi strângeți ferm maneta și piulița-fluture.

► Fig.10: 1. Opritor

Folosiți opritorul de 45° pentru a executa tăieri oblice precise în unghi de 45°. Rotiți complet opritorul în sens orar pentru o tăiere înclinată (la 0° - 45°) și rotiți-l în sens anti-orar pentru tăieri înclinate la 0° - 50°.

Vizarea

► Fig.11: 1. Poziție de 0° 2. Poziție de 45° 3. Linie de tăiere 4. Șurub

Pentru tăieri drepte, aliniați poziția de 0° din partea frontală a tălii cu linia dumneavoastră de tăiere. Pentru tăieri înclinate la 45°, aliniați poziția de 45°. Poziția ghidajului superior este reglabilă.

Aționarea întrerupătorului

► Fig.12: 1. Declanșator întrerupător 2. Buton de deblocare

⚠️ ATENȚIE:

- Înainte de a bransa mașina la rețea, verificați dacă trăgaciul întrerupătorului funcționează corect și dacă revine la poziția "OFF" (oprit) atunci când este eliberat.

Pentru a preveni acționarea accidentală a butonului declanșator, este prevăzut un buton de deblocare. Pentru a porni mașina, apăsați butonul de deblocare și apăsați butonul declanșator. Eliberați butonul declanșator pentru a opri mașina. Nu trageți puternic pârghia de comutare fără a trage pârghia de deblocare. Comutatorul se poate rupe.

Aprinderea lămpii

Pentru modelul HS6101, HS7101

⚠️ ATENȚIE:

- Nu priviți direct în raza sau în sursa de lumină.

► Fig.13: 1. Lampă

Lampa se aprinde atunci când mașina este conectată. Lampa rămâne aprinsă până la deconectarea mașinii.

NOTĂ:

- Folosiți o cârpă curată pentru a șterge depunerile de pe lentila lămpii. Aveți grijă să nu zgăriați lentila lămpii, deoarece calitatea iluminării va fi afectată.
- Nu folosiți benzină, diluant sau alte substanțe asemănătoare pentru curățarea lentilei lămpii. Folosirea acestor substanțe va deteriora lentila.

MONTARE

⚠️ ATENȚIE:

- Asigurați-vă că ați oprit mașina și că ați deconectat-o de la rețea înainte de a efectua vreo intervenție asupra mașinii.

Demontarea sau montarea pânzei de ferăstrău

⚠️ ATENȚIE:

- Asigurați-vă că pânza este montată cu dinții îndreptați în sus în partea frontală a mașinii.
- Folosiți numai cheia Makita la montarea și demontarea pânzei.

► Fig.14: 1. Cheie inbus 2. Deșurubați 3. Strângere 4. Pârghie de blocare a axului

Pentru a demonta pânza, apăsați pârghia de blocare a axului astfel încât pânza să nu se poată roti și folosiți cheia pentru a deșuruba șurubul cu cap hexagonal în sens anti-orar. Apoi îndepărtați șurubul cu cap hexagonal, flanșă exterioră și pânza.

Pentru mașină cu flanșă interioară pentru o pânză de ferăstrău cu orificiul cu diametru de 15,88 mm

► Fig.15: 1. Ax de montare 2. Flanșă interioară 3. Pânză de ferăstrău 4. Flanșă exterioră 5. Șurub cu cap hexagonal

Montați flanșa interioară cu cavitatea orientată în exterior spre axul de montare, apoi instalați pânza de ferăstrău, flanșă exterioră și șurubul cu cap hexagonal. ASIGURAȚI-VĂ CĂ STRÂNGEȚI FERM ȘURUBUL CU CAP HEXAGONAL, ÎN SENSUL ACELOR DE CEASORNIC.

Pentru mașină cu flanșă interioară pentru o pânză de ferăstrău cu un orificiu diferit de orificiul cu diametru de 15,88 mm

- **Fig.16:** 1. Ax de montare 2. Flanșă interioară 3. Pânză de ferăstrău 4. Flanșă exterioară 5. Șurub cu cap hexagonal

Flanșa interioară are o proeminență cu un anumit diametru pe o parte și o proeminență cu un diametru diferit pe cealaltă parte. Alegeți partea corectă cu proeminența care se încadrează perfect în orificiul pânzei de ferăstrău.

Apoi, montați flanșa interioară pe axul de montare, astfel încât partea corectă a proeminenței de pe flanșa interioară să fie orientată în exterior și apoi instalați pânza de ferăstrău și flanșa exterioară.

ASIGURAȚI-VĂ CĂ STRÂNGETEȚI FERM ȘURUBUL CU CAP HEXAGONAL, ÎN SENSUL ACELOR DE CEASORNIC.

ATENȚIE:

- **Asigurați-vă că proeminența "a" de pe flanșa interioară, poziționată în exterior, se încadrează perfect în orificiul "a" al pânzei de ferăstrău.** Montarea pânzei pe partea incorectă poate duce la vibrații periculoase.

- **Fig.17:** 1. Inel 2. Flanșă interioară 3. Pânză de ferăstrău 4. Flanșă exterioară 5. Șurub cu cap hexagonal

La schimbarea pânzei, aveți grijă să curățați și rumegușul acumulat pe apărătoarea superioară și inferioară a pânzei. Această operație însă, nu elimină necesitatea de a verifica funcționarea apărătoarei inferioare înainte de fiecare utilizare.

Depozitarea cheii inbus

- **Fig.18:** 1. Cheie inbus

Atunci când nu este utilizată, depozitați cheia inbus după cum se vede în figură pentru a nu se pierde.

Conectarea unui aspirator

- **Fig.19:** 1. Duză de praf 2. Șurub
► **Fig.20:** 1. Aspirator 2. Furtun

Dacă doriți să executați operații de tăiere curate, conectați la mașina dumneavoastră un aspirator Makita. Instalați duza de praf la mașină folosind șurubul. Apoi conectați un furtun al aspiratorului la duza de praf în modul prezentat în figură.

FUNCȚIONARE

ATENȚIE:

- Aveți grijă să deplasați mașina lent înainte, în linie dreaptă. Forțarea sau răsucirea mașinii vor avea ca efect supraîncălzirea motorului și reculeri periculoase, prezentând risc de vătămare gravă.
- Folosiți întotdeauna un mâner frontal și unul posterior și țineți mașina ferm de mânerul frontal și mânerul posterior în timpul lucrului.

Țineți mașina ferm. Mașina este prevăzută cu un mâner frontal și unul posterior. Folosiți-le pe ambele pentru a apuca ferm mașina. Dacă ambele mâini sunt fixate pe ferăstrău, acestea nu pot fi tăiate de pânză. Așezați talpa pe piesa de prelucrat fără ca pânza să intre în contact cu aceasta. Apoi porniți mașina și așteptați ca pânza să atingă viteza maximă. Apoi deplasați pur și simplu mașina înainte pe suprafața piesei de prelucrat, menținând-o în poziție orizontală și avansând lent până la finalizarea tăierii.

Pentru a obține tăieturi curate, mențineți o linie de tăiere dreaptă și o viteză de avans uniformă. Dacă nu reușiți să urmăriți corect linia de tăiere preconizată, nu încercați să rotiți sau să forțați mașina înapoi către linia de tăiere. Această acțiune poate bloca pânza și poate provoca reculeri periculoase cu posibile vătămări grave. Eliberați butonul declanșator, așteptați ca pânza să se oprească și apoi retrageți mașina. Realiniați mașina cu noua linie de tăiere și reîncepeți tăierea. Încercați să evitați pozițiile care expun operatorul la așchiile și rumegușul aruncate de ferăstrău. Folosiți ochelari de protecție pentru a evita răniurile.

- **Fig.21**

Rigla de ghidare (Regulă de ghidare)

- **Fig.22:** 1. Pârghie de strângere 2. Rigla de ghidare (Regulă de ghidare)

Rigla de ghidare practică vă permite să executați tăieri drepte extrem de precise. Lipiți pur și simplu rigla de ghidare pe latura piesei de prelucrat și fixați-o în poziție cu maneta de strângere de pe partea frontală a tălpii. Aceasta permite, de asemenea, executarea tăierilor repetate cu lățime uniformă.

ÎNȚREȚINERE

ATENȚIE:

- Asigurați-vă că ați oprit mașina și că ați debransat-o de la rețea înainte de a efectua operațiuni de verificare sau întreținere.
- Nu utilizați niciodată gazolină, benzină, diluant, alcool sau alte substanțe asemănătoare. În caz contrar, pot rezulta decolorări, deformări sau fisuri.

Reglarea preciziei de tăiere la 0° și 45° (tăiere verticală și la 45°)

► **Fig.23:** 1. Șurub de reglare pentru 0° 2. Șurub de reglare pentru 45°

► **Fig.24:** 1. Echer

Acest reglaj este efectuat din fabrică. Dacă însă apare o dereglare, ajustați șuruburile de reglare cu o cheie inbus în timp ce verificați unghiul de 0° sau 45° al pânzei față de talpă folosind un echer sau un vinclu etc.

Reglarea paralelismului

► **Fig.25:** 1. Talpă 2. Șurub 3. Pânză de ferăstrău

Paralelismul dintre lamă și talpă a fost reglat din fabrică. Dacă însă are loc o deplasare, puteți regla paralelismul conform procedurii următoare.

Asigurați-vă că toate manetele și șuruburile sunt strânse. Slăbiți ușor strângerea șurubului în modul ilustrat. În timp ce deschideți apărătoarea inferioară, mișcați talpa spate astfel încât distanțele A și B să fie egale. După reglare, strângeți șurubul. Efectuați o tăiere de probă pentru a obține paralelismul corect.

Înlocuirea periiilor de carbon

► **Fig.26:** 1. Marcaj limită

Detashați periiile de carbon și verificați-le în mod regulat. Schimbați-le atunci când s-au uzat până la marcajul limită. Periiile de carbon trebuie să fie în permanență curate și să alunece ușor în suport. Ambele perii de carbon trebuie să fie înlocuite simultan cu alte perii identice.

Folosiți o șurubelniță pentru a îndepărta capacul suportului periiilor de carbon. Scoateți periiile de carbon uzate și fixați capacul pentru periiile de carbon.

► **Fig.27:** 1. Șurubelniță 2. Capacul suportului pentru perii

După înlocuirea periiilor, conectați scula și roțați periiile lăsând-o să funcționeze în gol timp de circa 10 minute. Apoi verificați mașina în timpul funcționării și funcționarea frânei electrice la eliberarea butonului declanșator. Dacă frâna electrică nu operează corect, solicitați repararea uneltei la un centru de service Makita autorizat. Pentru a menține siguranța și fiabilitatea mașinii, reparațiile și reglajele trebuie să fie efectuate numai la Centrele de service autorizat Makita, folosindu-se piese de schimb Makita.

ACCESORII OPȚIONALE

⚠ATENȚIE:

- Folosiți accesoriile sau piesele auxiliare recomandate pentru mașina dumneavoastră în acest manual. Utilizarea oricăror alte accesorii sau piese auxiliare poate cauza vătămări. Folosiți accesoriile pentru operațiunea pentru care au fost concepute.

Dacă aveți nevoie de asistență sau de mai multe detalii referitoare la aceste accesorii, adresați-vă centrului local de service Makita.

- Pânze de ferăstrău
- Rigla de ghidare (Regulă de ghidare)
- Șină de ghidare
- Adaptor pentru șina de ghidare
- Cheie inbus
- Articulație

NOTĂ:

- Unele articole din listă pot fi incluse ca accesorii standard în ambalajul de scule. Acestea pot diferi în funcție de țară.

TECHNISCHE DATEN

Modell		HS6100	HS6101	HS7100	HS7101
Sägeblattdurchmesser		165 mm		190 mm	
Max. Schnitttiefe	0°	54,5 mm		67 mm	
	45°	39,5 mm		48,5 mm	
	50°	35,5 mm		43,5 mm	
Leerlaufdrehzahl (min ⁻¹)		5 500			
Gesamtlänge		297 mm		310 mm	
Netto-Gewicht		3,5 kg	3,5 kg	3,7 kg	3,8 kg
Sicherheitsklasse		□/II			

- Wir behalten uns vor, Änderungen der technischen Daten im Zuge der Entwicklung und des technischen Fortschritts ohne vorherige Ankündigung vorzunehmen.
- Die technischen Daten können von Land zu Land unterschiedlich sein.
- Gewicht nach EPTA-Verfahren 01/2014

Verwendungszweck

Das Werkzeug eignet sich für Längs- und Querschnitte sowie Gehrungsschnitte mit Winkeln in Holz bei engem Kontakt mit dem Werkstück. Mit entsprechenden Sägeblättern kann auch Aluminium gesägt werden.

Für öffentliche Niederspannungs-Versorgungssysteme mit einer Spannung zwischen 220 V und 250 V.

Schaltvorgänge von Elektrogeräten verursachen Spannungsschwankungen. Der Betrieb dieses Gerätes unter ungünstigen Netzstrombedingungen kann sich nachteilig auf den Betrieb anderer Geräte auswirken. Bei einer Netzstromimpedanz von 0,32 Ohm oder weniger ist anzunehmen, dass keine negativen Effekte auftreten. Die für dieses Gerät verwendete Netzsteckdose muss durch eine Sicherung oder einen Schutzschalter mit trägen Auslöseeigenschaften geschützt sein.

Geräuschpegel

Die typischen A-bewerteten Geräuschpegel, bestimmt gemäß EN62841:

Modell HS6100,HS6101

Schalldruckpegel (L_{pA}): 98 dB (A)
Schallleistungspegel (L_{WA}): 109 dB (A)
Abweichung (K): 3 dB (A)

Modell HS7100,HS7101

Schalldruckpegel (L_{pA}): 97 dB (A)
Schallleistungspegel (L_{WA}): 108 dB (A)
Abweichung (K): 3 dB (A)

Tragen Sie Gehörschutz

Schwingung

Schwingungsgesamtwerte (Vektorsumme dreier Achsen) nach EN62841:

Modell HS6100,HS6101

Arbeitsmodus: Schneiden von Holz
Schwingungsbelastung ($a_{h,w}$): 2,5 m/s² oder weniger
Abweichung (K): 1,5 m/s²

Arbeitsmodus: Schneiden von Metall
Schwingungsbelastung ($a_{h,w}$): 2,5 m/s²
Abweichung (K): 1,5 m/s²

Modell HS7100,HS7101

Arbeitsmodus: Schneiden von Holz
Schwingungsbelastung ($a_{h,w}$): 2,5 m/s² oder weniger
Abweichung (K): 1,5 m/s²

Arbeitsmodus: Schneiden von Metall
Schwingungsbelastung ($a_{h,w}$): 2,5 m/s²
Abweichung (K): 1,5 m/s²

HINWEIS: Die deklarierte Schwingungsbelastung wurde gemäß der Standardtestmethode gemessen und kann für den Vergleich von Werkzeugen untereinander verwendet werden.

HINWEIS: Die deklarierte Schwingungsbelastung kann auch in einer vorläufigen Bewertung der Gefährdung verwendet werden.

⚠️ WARNUNG: Die Schwingungsbelastung während der tatsächlichen Anwendung des Elektrowerkzeugs kann in Abhängigkeit von der Art und Weise der Verwendung des Werkzeugs vom deklarierten Belastungswert abweichen.

⚠️ WARNUNG: Stellen Sie sicher, dass Schutzmaßnahmen für den Bediener getroffen werden, die auf den unter den tatsächlichen Arbeitsbedingungen zu erwartenden Belastungen beruhen (beziehen Sie alle Bestandteile des Arbeitsablaufs ein, also zusätzlich zu den Arbeitszeiten auch Zeiten, in denen das Werkzeug ausgeschaltet ist oder ohne Last läuft).

EG-Konformitätserklärung

Nur für europäische Länder

Die EG-Konformitätserklärung ist als Anhang A in dieser Bedienungsanleitung enthalten.

Allgemeine Sicherheitswarnungen für Elektrowerkzeuge

⚠️ WARNUNG: Lesen Sie alle mit diesem Elektrowerkzeug gelieferten Sicherheitswarnungen, Anweisungen, Abbildungen und technischen Daten durch. Eine Missachtung der unten aufgeführten Anweisungen kann zu einem elektrischen Schlag, Brand und/oder schweren Verletzungen führen.

Bewahren Sie alle Warnungen und Anweisungen für spätere Bezugnahme auf.

Der Ausdruck „Elektrowerkzeug“ in den Warnhinweisen bezieht sich auf Ihr mit Netzstrom (mit Kabel) oder Akku (ohne Kabel) betriebenes Elektrowerkzeug.

Sicherheitswarnungen für Kreissäge

Schneidverfahren

- ▲GEFAHR: Halten Sie Ihre Hände vom Schnittbereich und vom Sägeblatt fern. Halten Sie mit der zweiten Hand den Zusatzgriff oder das Motorgehäuse.** Wenn beide Hände die Säge halten, können sie nicht durch das Sägeblatt verletzt werden.
 - Fassen Sie nicht unter das Werkstück.** Die Schutzhaube bietet keinen Schutz auf der Unterseite des Werkstücks.
 - Stellen Sie die Schnitttiefe auf die Dicke des Werkstücks ein.** Das Sägeblatt darf nicht mehr als eine Zahnlänge auf der Unterseite des Werkstücks überstehen.
 - Halten Sie das Werkstück beim Schneiden niemals in Ihren Händen oder auf den Beinen. Sichern Sie das Werkstück auf einer stabilen Plattform.** Es ist wichtig, das Werkstück sachgemäß abzustützen, um Körperaussetzung, Klemmen des Sägeblatts oder Verlust der Kontrolle auf ein Minimum zu reduzieren.
- **Abb.1**
- Halten Sie das Elektrowerkzeug an den isolierten Griffflächen, wenn Sie Arbeiten ausführen, bei denen die Gefahr besteht, dass das Schneidwerkzeug verborgene Kabel oder das eigene Kabel kontaktiert.** Bei Kontakt mit einem Strom führenden Kabel können die freiliegenden Metallteile des Elektrowerkzeugs ebenfalls Strom führend werden, so dass der Benutzer einen elektrischen Schlag erleiden kann.
 - Verwenden Sie beim Längssägen stets einen Parallelanschlag oder ein Richtlineal.** Dadurch wird die Schnittgenauigkeit verbessert und die Gefahr von Sägeblatt-Klemmen reduziert.
 - Verwenden Sie stets Sägeblätter, deren Spindelbohrung die korrekte Größe und Form (rautenförmig oder rund) hat.** Sägeblätter, die nicht genau auf den Montageflansch der Säge passen, rotieren exzentrisch und verursachen den Verlust der Kontrolle.
 - Verwenden Sie niemals beschädigte oder falsche Sägeblattscheiben oder -schrauben.** Die Sägeblattscheiben und -schrauben sind speziell für Ihre Säge vorgesehen, um optimale Leistung und Betriebssicherheit zu gewährleisten.

Rückschlagursachen und damit zusammenhängende Warnungen

- Ein Rückschlag ist eine plötzliche Reaktion auf ein eingeklemmtes, blockiertes oder falsch ausgerichtetes Sägeblatt, der ein unkontrolliertes Anheben und Herausspringen der Säge aus dem Werkstück in Richtung der Bedienungsperson verursacht.
- Wenn das Sägeblatt durch den sich schließenden Sägeschlitz eingeklemmt oder blockiert wird, bleibt das Sägeblatt stehen, und die Motorreaktion drückt die Säge plötzlich in Richtung der Bedienungsperson zurück.

- Falls das Sägeblatt im Schnitt verdreht oder versetzt wird, können sich die Zähne an der Hinterkante des Sägeblatts in die Oberfläche des Holzstücks bohren, so dass sich das Sägeblatt aus dem Sägeschlitz heraushebt und in Richtung der Bedienungsperson zurückspringt.
- Rückschlag ist das Resultat falscher Handhabung der Säge und/oder falscher Arbeitsverfahren oder -bedingungen und kann durch Anwendung der nachstehenden Vorsichtsmaßnahmen vermieden werden.

- Halten Sie die Säge mit beiden Händen fest, und positionieren Sie Ihre Arme so, dass sie die Rückschlagkräfte auffangen. Stellen Sie sich so, dass sich Ihr Körper seitlich vom Sägeblatt befindet, nicht auf gleicher Linie mit dem Sägeblatt.** Rückschlag kann Zurückspringen der Säge verursachen; doch wenn geeignete Vorkehrungen getroffen werden, können die Rückschlagkräfte von der Bedienungsperson unter Kontrolle gehalten werden.
- Falls das Sägeblatt klemmt oder der Schnitt aus irgendeinem Grund unterbrochen wird, lassen Sie den Ein-Aus-Schalter los, und halten Sie die Säge bewegungslos im Werkstück, bis das Sägeblatt zum völligen Stillstand kommt. Versuchen Sie niemals, die Säge bei noch rotierendem Sägeblatt vom Werkstück abzunehmen oder zurückzuziehen, weil es sonst zu einem Rückschlag kommen kann.** Nehmen Sie eine Überprüfung vor, und treffen Sie Abhilfemaßnahmen, um die Ursache von Sägeblatt-Klemmen zu beseitigen.
- Wenn Sie die Säge bei im Werkstück befindlichem Sägeblatt wieder einschalten, zentrieren Sie das Sägeblatt im Sägeschlitz, und vergewissern Sie sich, dass die Sägezähne nicht mit dem Werkstück im Eingriff sind.** Falls ein Sägeblatt klemmt, kann es beim Wiedereinschalten der Säge aus dem Werkstück herausschnellen oder zurückspringen.
- Stützen Sie große Platten ab, um die Gefahr von Klemmen und Rückschlagen des Sägeblatts auf ein Minimum zu reduzieren.** Große Platten neigen dazu, unter ihrem Eigengewicht durchzuhängen. Die Stützen müssen beidseitig der Schnittlinie und in der Nähe der Plattenkante unter der Platte platziert werden.

► **Abb.2**

► **Abb.3**

- Verwenden Sie keine stumpfen oder beschädigten Sägeblätter.** Unschärfe oder falsch angebrachte Sägeblätter erzeugen einen schmalen Sägeschlitz, der übermäßige Reibung, Sägeblatt-Klemmen und Rückschlag verursacht.
- Die Sägeblatttiefen- und Neigungseinstellungs-Arretierhebel müssen fest angezogen und gesichert sein, bevor der Schnitt ausgeführt wird.** Falls sich die Sägeblatteinstellung während des Sägens verstellt, kann es zu Klemmen und Rückschlag kommen.
- Lassen Sie beim Sägen in vorhandene Wände oder andere tote Winkel besondere Vorsicht walten.** Das vorstehende Sägeblatt kann Objekte durchschneiden, die Rückschlag verursachen können.
- Halten Sie das Werkzeug IMMER mit beiden Händen fest. Halten Sie NIEMALS Ihre Hand, Ihr Bein oder irgendeinen Körperteil unter die Werkzeugbasis oder hinter die Säge, insbesondere bei der Ausführung von Querschnitten.** Falls Rückschlag auftritt, besteht die Gefahr, dass die Säge über Ihre Hand zurückspringt und schwere Personenschäden verursacht.

► Abb.4

9. **Wenden Sie keine Gewalt auf die Säge an. Schieben Sie die Säge mit einer Geschwindigkeit vor, dass das Sägeblatt nicht abgebremst wird.** Gewaltanwendung kann ungleichmäßige Schnitte, Verlust der Genauigkeit und möglichen Rückschlag verursachen.

Funktion der Schutzhaube

1. **Überprüfen Sie die untere Schutzhaube vor jeder Benutzung auf einwandfreies Schließen. Betreiben Sie die Säge nicht, falls sich die untere Schutzhaube nicht ungehindert bewegt und sofort schließt. Die untere Schutzhaube darf auf keinen Fall in der geöffneten Stellung festgeklemmt oder festgebunden werden.** Wird die Säge versehentlich fallen gelassen, kann die untere Schutzhaube verbogen werden. Heben Sie die untere Schutzhaube mit dem Rückzugriff an, und vergewissern Sie sich, dass sie sich ungehindert bewegt und bei allen Winkel- und Schnitttiefen-Einstellungen nicht mit dem Sägeblatt oder irgendeinem anderen Teil in Berührung kommt.
2. **Überprüfen Sie die Funktion der Feder der unteren Schutzhaube. Falls Schutzhaube und Feder nicht einwandfrei funktionieren, müssen die Teile vor der Benutzung gewartet werden.** Falls beschädigte Teile, klebrige Ablagerungen oder Schmutzansammlung vorhanden sind, kann die untere Schutzhaube schwergängig werden.
3. **Die untere Schutzhaube sollte nur für spezielle Schnitte, wie „Tauchschnitte“ und „Doppelwinkelschnitte“, manuell zurückgezogen werden. Heben Sie die untere Schutzhaube mit dem Rückzugriff an, und sobald das Sägeblatt in das Werkstück eindringt, muss die untere Schutzhaube losgelassen werden.** Für alle anderen Sägearbeiten sollte die untere Schutzhaube automatisch betätigt werden.
4. **Vergewissern Sie sich stets, dass die untere Schutzhaube das Sägeblatt verdeckt, bevor Sie die Säge auf der Werkbank oder dem Boden ablegen.** Ein ungeschützt auslaufendes Sägeblatt bewirkt Rückwärtskriechen der Säge und schneidet alles, was sich in seinem Weg befindet. Berücksichtigen Sie die Auslaufzeit des Sägeblatts bis zum Stillstand nach dem Loslassen des Schalters.
5. **Öffnen Sie die untere Schutzhaube probeweise von Hand, und achten Sie beim Loslassen darauf, dass sie sich einwandfrei schließt. Vergewissern Sie sich auch, dass der Rückzugriff nicht mit dem Werkzeuggehäuse in Berührung kommt.** Die Bloßstellung des Sägeblatts ist SEHR GEFÄHRLICH und kann zu schweren Verletzungen führen.

Zusätzliche Sicherheitswarnungen

1. **Lassen Sie beim Schneiden von feuchtem Holz, druckbehandeltem Bauholz oder Astholz besondere Vorsicht walten.** Behalten Sie einen gleichmäßigen Vorschub des Werkzeugs bei, ohne dass sich die Sägeblattdrehzahl verringert, um Überhitzen der Sägeblattzähne zu vermeiden.
2. **Versuchen Sie nicht, abgeschnittenes Material bei rotierendem Sägeblatt zu entfernen. Warten Sie, bis das Sägeblatt zum Stillstand kommt, bevor Sie abgeschnittenes Material wegnehmen.** Das Sägeblatt läuft nach dem Ausschalten noch nach.

3. **Vermeiden Sie das Schneiden von Nägeln. Überprüfen Sie Bauholz vor dem Schneiden auf Nägel, und entfernen Sie etwaige Nägel.**
4. **Setzen Sie den breiteren Teil der Grundplatte auf den fest abgestützten Teil des Werkstücks, nicht auf den Teil, der nach dem Schnitt herunterfällt. Kurze oder kleine Werkstücke müssen eingespannt werden. VERSUCHEN SIE NICHT, KURZE WERKSTÜCKE MIT DER HAND ZU HALTEN!**

► Abb.5

5. **Bevor Sie das Werkzeug nach Ausführung eines Schnitts absetzen, vergewissern Sie sich, dass sich die Schutzhaube geschlossen hat und das Sägeblatt zu vollständigem Stillstand gekommen ist.**
6. **Versuchen Sie niemals, die Kreissäge zum Sägen verkehrt herum in einen Schraubstock einzuspannen. Dies ist sehr gefährlich und kann zu schweren Unfällen führen.**

► Abb.6

7. **Manche Materialien können giftige Chemikalien enthalten. Treffen Sie Vorsichtsmaßnahmen, um das Einatmen von Arbeitsstaub und Hautkontakt zu verhüten. Befolgen Sie die Sicherheitsdaten des Materiallieferanten.**
8. **Bremsen Sie die Säge nicht durch seitlichen Druck auf das Sägeblatt ab.**
9. **Verwenden Sie keine Schleifscheiben.**
10. **Verwenden Sie nur Sägeblätter mit einem Durchmesser, der am Werkzeug markiert oder im Handbuch angegeben ist.** Die Verwendung eines Sägeblatts mit falscher Größe kann den einwandfreien Schutz des Sägeblatts oder den Schutzbetrieb beeinträchtigen, was ernsthaften Personenschaden zur Folge haben kann.
11. **Halten Sie das Sägeblatt scharf und sauber.** An den Sägeblättern haftendes und verhärtetes Gummi und Harz verlangsamen die Säge und erhöhen die Rückschlaggefahr. Halten Sie das Sägeblatt sauber, indem Sie es vom Werkzeug abmontieren und dann mit Gummi- und Harzentferner, heißem Wasser oder Petroleum reinigen. Verwenden Sie niemals Benzin.
12. **Tragen Sie bei der Benutzung des Werkzeugs eine Staubmaske und einen Gehörschutz.**
13. **Verwenden Sie immer das zum Schneiden des jeweiligen Arbeitsmaterials vorgesehene Sägeblatt.**
14. **Verwenden Sie nur Sägeblätter, die mit einer Drehzahl markiert sind, die der am Werkzeug angegebenen Drehzahl entspricht oder diese übertrifft.**
15. **(Nur für europäische Länder) Verwenden Sie immer ein Sägeblatt, das EN847-1 entspricht.**

DIESE ANWEISUNGEN AUFBEWAHREN.

⚠️ WARNUNG: Lassen Sie sich NICHT durch Bequemlichkeit oder Vertrautheit mit dem Produkt (durch wiederholten Gebrauch erworben) von der strikten Einhaltung der Sicherheitsregeln für das vorliegende Produkt abhalten. MISSBRAUCH oder Missachtung der Sicherheitsvorschriften in dieser Anleitung können schwere Personenschäden verursachen.

FUNKTIONSBESCHREIBUNG

⚠ VORSICHT:

- Überzeugen Sie sich immer vor dem Einstellen des Werkzeugs oder der Kontrolle seiner Funktion, dass es abgeschaltet und der Stecker aus der Dose gezogen ist.

Einstellen der Schnitttiefe

► **Abb.7:** 1. Hebel

⚠ VORSICHT:

- Ziehen Sie den Hebel nach Einstellung der Schnitttiefe stets fest an.

Lösen Sie den Hebel an der Tiefenführung und verstellen Sie den Gleitschuh nach oben oder unten. Arretieren Sie den Gleitschuh an der gewünschten Schnitttiefe durch Festziehen des Hebels. Für einen sauberen, sicheren Schnitt stellen Sie die Schnitttiefe so ein, dass nur maximal ein Sägeblattzahn unter dem Werkstück herausragt. Die Verwendung der richtigen Schnitttiefe minimiert die Gefahr von RÜCKSCHLÄGEN, die zu Personenschäden führen können.

Gehrungsschnitt

► **Abb.8:** 1. Vorderer Hebel

► **Abb.9:** 1. Hintere Flügelmutter

Lösen Sie den vorderen Hebel und die hintere Flügelmutter. Neigen Sie das Werkzeug auf den gewünschten Winkel (0° bis 50°) und ziehen Sie anschließend den Hebel und die Flügelmutter fest an.

► **Abb.10:** 1. Anschlag

Verwenden Sie für genaue 45°-Gehrungsschnitte den 45°-Anschlag. Drehen Sie den Anschlag für Gehrungsschnitte von 0° bis 45° im Uhrzeigersinn und für Gehrungsschnitte von 0° bis 50° entgegen dem Uhrzeigersinn.

Schnittlinie

► **Abb.11:** 1. Position 0° 2. Position 45° 3. Schnittlinie 4. Schraube

Für Geradschnitte richten Sie die Position 0° an der Vorderseite des Gleitschuhs auf Ihre Schnittlinie aus. Für 45°-Gehrungsschnitte richten Sie die Position 45° an der Vorderseite des Gleitschuhs auf Ihre Schnittlinie aus. Die Position der oberen Führung ist einstellbar.

Einschalten

► **Abb.12:** 1. Griffschalter 2. Entsperrungstaste

⚠ VORSICHT:

- Achten Sie vor dem Einstecken des Netzsteckers des Werkzeugs in die Steckdose darauf, dass sich der Ein/Aus-Schalter korrekt bedienen lässt und beim Loslassen in die Position "OFF" (AUS) zurückkehrt.

Damit der Auslöseschalter nicht versehentlich gezogen wird, befindet sich am Werkzeug eine Entsperrungstaste. Zum Start des Werkzeugs müssen die Entsperrungstaste gedrückt und der Auslöseschalter gezogen werden. Lassen Sie zum Ausschalten des Werkzeugs den Auslöseschalter los. Betätigen Sie den Umschalthebel niemals mit Gewalt, ohne dabei den Arretierhebel zu drücken. Dadurch kann der Schalter beschädigt werden.

Einschalten der Lampe

Für Modell **HS6101, HS7101**

⚠ VORSICHT:

- Schauen Sie nicht direkt ins Licht oder die Lichtquelle.

► **Abb.13:** 1. Lampe

Die Lampe leuchtet auf, sobald das Werkzeug an die Stromversorgung angeschlossen ist. Die Lampe leuchtet, bis das Werkzeug von der Stromversorgung getrennt wird.

HINWEIS:

- Verwenden Sie für das Abwischen der Unreinheiten von der Lichtlinse einen trockenen Lappen. Achten Sie darauf, dass Sie die Lichtlinse nicht zerkratzen, dadurch kann ihre Leuchtkraft verringert werden.
- Verwenden Sie zur Reinigung der Linse kein Benzin, keinen Verdünner oder Ähnliches. Die Verwendung solcher Flüssigkeiten beschädigt die Linse.

MONTAGE

⚠ VORSICHT:

- Ehe Sie am Werkzeug irgendwelche Arbeiten beginnen, überzeugen Sie sich immer vorher, dass es abgeschaltet und der Stecker aus der Dose gezogen ist.

Montage und Demontage des Sägeblatts

⚠ VORSICHT:

- Montieren Sie das Sägeblatt so, dass seine Zähne an der Vorderseite der Maschine nach oben zeigen.
- Verwenden Sie nur den mitgelieferten Makita-Schlüssel zum Demontieren oder Montieren des Sägeblatts.

► **Abb.14:** 1. Sechskantschlüssel 2. Lösen 3. Anziehen 4. Spindelarretierung

Zur Demontage des Sägeblatts drücken Sie die Spindelarretierung, um ein Drehen des Sägeblatts zu verhindern, und lösen Sie die Sechskantschraube durch Linksdrehung des Sechskantschlüssels. Nehmen Sie dann Sechskantschraube, Außenflansch und Sägeblatt ab.

Für Werkzeuge mit dem Innenflansch für ein Sägeblatt mit einem

Lochdurchmesser von 15,88 mm

- **Abb.15:** 1. Befestigungsschaft 2. Innenflansch
3. Sägeblatt 4. Außenflansch
5. Sechskantschraube

Befestigen Sie den Innenflansch mit dem abgestuften Bereich nach außen auf den Montagenschaft; setzen Sie anschließend Sägeblatt, Außenflansch und Sechskantschraube ein.

ZIEHEN SIE DIE SCHRAUBE IM UHRZEIGERSINN FEST AN.

Für Werkzeuge mit dem Innenflansch für ein Sägeblatt mit einem anderen Lochdurchmesser als 15,88 mm

- **Abb.16:** 1. Befestigungsschaft 2. Innenflansch
3. Sägeblatt 4. Außenflansch
5. Sechskantschraube

Der Innenflansch hat einen speziellen Durchmesser Vorsprung auf einer Seite und einen anderen Durchmesser Vorsprung auf der anderen Seite. Wählen Sie die richtige Seite, bei der der Vorsprung perfekt in das Sägeblattloch passt.

Befestigen Sie nun den Innenflansch auf den Montagenschaft, so dass die richtige Seite mit dem Vorsprung am Innenflansch nach außen zeigt; setzen Sie anschließend Sägeblatt und Außenflansch ein. ZIEHEN SIE DIE SCHRAUBE IM UHRZEIGERSINN FEST AN.

⚠ VORSICHT:

- **Vergewissern Sie sich, dass der Vorsprung "a" am Innenflansch perfekt in das Sägeblattloch passt.** Das Anbringen des Blattes auf der falschen Seite kann zu gefährlichen Vibrationen führen.

- **Abb.17:** 1. Ring 2. Innenflansch 3. Sägeblatt
4. Außenflansch 5. Sechskantschraube

Vergessen Sie beim Austausch des Sägeblatts nicht, das angefallene Sägemehl vom oberen und unteren Blattschutz zu entfernen. Dies ersetzt jedoch nicht vor jeder Inbetriebnahme die Überprüfung der Funktion der beweglichen Schutzhaube.

Aufbewahrung des Sechskantschlüssels

- **Abb.18:** 1. Sechskantschlüssel

Wenn Sie den Sechskantschlüssel nicht verwenden, bewahren Sie ihn wie in der Abbildung dargestellt auf, damit er nicht verloren geht.

Anschließen eines Staubsaugers

- **Abb.19:** 1. Absaugstutzen 2. Schraube

- **Abb.20:** 1. Staubsauger 2. Schlauch

Um größere Sauberkeit bei der Arbeit zu erzielen, schließen Sie einen Makita-Staubsauger an Ihr Werkzeug an. Montieren Sie den Absaugstutzen mit der Schraube an der Maschine. Schließen Sie dann den Schlauch eines Staubsaugers an den Stutzen wie in der Abbildung dargestellt an.

ARBEIT

⚠ VORSICHT:

- Schieben Sie das Werkzeug beim Schneiden stets sachte vor. Übermäßige Druckausübung oder Verdrehen des Werkzeugs bewirken eine Überhitzung des Motors und gefährliche Rückschläge, die möglicherweise zu schweren Verletzungen führen können.
- Verwenden Sie stets einen vorderen und hinteren Griff, und halten Sie während der Arbeit das Werkzeug am vorderen und hinteren Griff sicher fest.

Halten Sie das Werkzeug mit festem Griff. Das Werkzeug verfügt sowohl über einen vorderen als auch einen hinteren Griff. Verwenden Sie beide Griffe, um so bestmöglich das Werkzeug zu umfassen. Wenn Sie die Säge mit beiden Händen festhalten, vermeiden Sie Verletzungen durch das Sägeblatt. Setzen Sie den Gleitschuh auf das zu schneidende Werkstück auf, ohne dass das Sägeblatt mit ihm in Berührung kommt. Schalten Sie anschließend das Werkzeug ein und warten Sie, bis das Sägeblatt die volle Drehzahl erreicht hat. Schieben Sie nun das Werkzeug flach und gleichmäßig über die Oberfläche des Werkstücks vor, bis der Schnitt vollendet ist.

Für saubere Schnitte halten Sie Ihre Schnittlinie gerade und die Geschwindigkeit gleichmäßig. Wenn der Schnitt nicht genau Ihrer beabsichtigten Schnittlinie folgt, versuchen Sie nicht, das Werkzeug zurück zur Schnittlinie zu drehen oder mit Gewalt zu schieben. Dies kann zum Einklemmen des Sägeblatts führen und somit zu einem gefährlichen Rückschlag und möglicherweise zu schweren Verletzungen. Betätigen Sie den Schalter, warten Sie auf den Stillstand des Sägeblatts und ziehen Sie dann das Werkzeug zurück. Setzen Sie das Werkzeug an der neuen Schnittlinie an und starten Sie den Sägevorgang erneut. Versuchen Sie dabei, Positionen zu vermeiden, in denen der Bediener den entstehenden Sägespänen und -staub ausgesetzt ist. Tragen Sie eine Schutzbrille, um Verletzungen zu vermeiden.

- **Abb.21**

Parallelanschlag (Führungsschiene)

- **Abb.22:** 1. Klemmhebel 2. Parallelanschlag (Führungsschiene)

Der praktische Parallelanschlag ermöglicht die Ausführung besonders genauer Geradschnitte. Schieben Sie den Parallelanschlag einfach satt anliegend gegen die Werkstückkante, und sichern Sie den Anschlag mit dem Feststellhebel an der Vorderseite des Gleitschuhs. Wiederholte Schnitte auf gleiche Breite sind ebenfalls möglich.

WARTUNG

⚠ VORSICHT:

- Bevor Sie mit der Kontrolle oder Wartung des Werkzeugs beginnen, überzeugen Sie sich immer, dass es ausgeschaltet und der Stecker aus der Steckdose herausgezogen ist.
- Verwenden Sie zum Reinigen niemals Kraftstoffe, Benzin, Verdünnern, Alkohol oder ähnliches. Dies kann zu Verfärbungen, Verformungen oder Rissen führen.

Einstellen der 0°- und 45°-Schnittgenauigkeit (Vertikal- und 45°-Schnitt)

- **Abb.23:** 1. Einstellschraube für 0°
2. Einstellschraube für 45°

- **Abb.24:** 1. Einstelldreieck

Diese Einstellung wurde werkseitig vorgenommen. Sollte sie verstellt sein, müssen Sie die Einstellschrauben mit einem Sechskantschlüssel nachjustieren, während das Sägeblatt mit Hilfe eines Einstelldreiecks, Anschlagwinkels, etc. in den Winkel von 0° oder 45° gebracht wird.

Einstellen auf Parallelität

- **Abb.25:** 1. Fuß 2. Schraube 3. Sägeblatt

Die Parallelität zwischen Gleitschuh und Sägeblatt wurde werkseitig eingestellt. Sollte die Parallelität jedoch nicht mehr gegeben sein, können Sie die Parallelität wie folgt einstellen.

Stellen Sie sicher, dass alle Hebel und Schrauben festgezogen sind. Lösen Sie die Schrauben etwas, wie dargestellt. Öffnen Sie die untere Schutzhaube und verschieben Sie die hintere Seite des Gleitschuhs so, dass die Abstände A und B gleich sind. Ziehen Sie nach dem Ausrichten die Schraube fest. Führen Sie einen Probeschnitt aus, um die Parallelität zu überprüfen.

Kohlenwechsel

- **Abb.26:** 1. Grenzmarke

Nehmen Sie die Kohlen regelmäßig heraus und wechseln Sie sie. Wenn sie bis zur Grenzmarke verbraucht sind, müssen sie ausgewechselt werden. Die Kohlen müssen sauber sein und locker in ihre Halter hineinfallen. Die beiden Kohlen müssen gleichzeitig ausgewechselt werden. Verwenden Sie ausschließlich gleiche Kohlen.

Schrauben Sie mit einem Schraubenzieher den Kohlenhalterdeckel ab. Wechseln Sie die verschlissenen Kohlen, legen Sie neue ein und schrauben Sie den Deckel wieder auf.

- **Abb.27:** 1. Schraubendreher 2. Kohlenhalterdeckel

Nach Austausch der Bürsten schließen Sie das Werkzeug an die Stromversorgung an und fahren Sie die Bürsten ein, indem Sie das Werkzeug etwa 10 Minuten ohne Last laufen lassen. Prüfen Sie dann das Werkzeug im Betrieb und auch den Betrieb der elektrischen Bremse durch Loslassen des Auslöseschalters. Falls die elektrische Bremse nicht richtig funktioniert, bringen Sie das Werkzeug für eine Reparatur zu einem Makita-Servicecenter in Ihrer Nähe. Zur Aufrechterhaltung der SICHERHEIT und ZUVERLÄSSIGKEIT des Produkts müssen die Reparaturen und alle Wartungen und Einstellungen von den autorisierten Servicestellen der Firma Makita und unter Verwendung der Ersatzteile von Makita durchgeführt werden.

SONDERZUBEHÖR

⚠ VORSICHT:

- Für Ihr Werkzeug Makita, das in dieser Anleitung beschrieben ist, empfehlen wir folgende Zubehörteile und Aufsätze zu verwenden. Bei der Verwendung anderer Zubehörteile oder Aufsätze kann die Verletzungsgefahr für Personen drohen. Die Zubehörteile und Aufsätze dürfen nur für ihre festgelegten Zwecke verwendet werden.

Wenn Sie nähere Informationen bezüglich dieses Zubehörs benötigen, wenden Sie sich bitte an Ihre örtliche Servicestelle der Firma Makita.

- Sägeblätter
- Parallelanschlag (Führungsschiene)
- Führungsschiene
- Führungsschienenadapter
- Sechskantschlüssel
- Verbindung

HINWEIS:

- Einige der in der Liste aufgeführten Elemente sind dem Werkzeugpaket als Standardzubehör beigelegt. Diese können in den einzelnen Ländern voneinander abweichen.

RÉSZLETES LEÍRÁS

Modell		HS6100	HS6101	HS7100	HS7101
Fűrészlap átmérője		165 mm		190 mm	
Max. vágási mélység	0°-nál	54,5 mm		67 mm	
	45°-nál	39,5 mm		48,5 mm	
	50°-nál	35,5 mm		43,5 mm	
Üresjárat fordulatszám (min ⁻¹)		5500			
Teljes hossz		297 mm		310 mm	
Tiszta tömeg		3,5 kg	3,5 kg	3,7 kg	3,8 kg
Biztonsági osztály		□/II			

- Folyamatos kutató- és fejlesztőprogramunk eredményeként az itt felsorolt tulajdonságok figyelmeztetés nélkül megváltozhatnak.
- A tulajdonságok országról országra különbözhetnek.
- Súly, az EPTA 01/2014 eljárás szerint

Rendeltetésszerű használat

A szerszám hosszirányú és keresztirányú, ferde, egyenes- és gérvágások végzésére használható faanyagokban, úgy, hogy közben szorosan érintkezik a munkadarabbal. A megfelelő fűrészlapokkal alumínium is fűrészeltető.

A 220 V és 250 V közötti feszültséggel rendelkező nyilvános kifizetésű áramelosztó rendszerekben való használatra.

Az elektromos berendezések bekapcsolásakor feszültségingadozások léphetnek fel. Ezen készülék üzemeltetése kedvezőtlen áramellátási körülmények között ellentétes hatással lehet más berendezések működésére. A 0,32 Ohmmal egyenlő vagy annál kisebb értékű hálózati impedancia esetén feltételezhetően nem lesznek negatív jelenségek. Az ehhez az eszközhöz használt hálózati csatlakozót biztosítékkal vagy lassú kioldási jellemzőkkel rendelkező megszakítóval kell védeni.

Zaj

A tipikus A-súlyozású zajszint, az EN62841 szerint meghatározva:

Típus HS6100, HS6101

Hangnyomásszint (L_{pA}): 98 dB (A)
 Hangteljesítményszint (L_{WA}): 109 dB (A)
 Tűrés (K): 3 dB (A)

Típus HS7100, HS7101

Hangnyomásszint (L_{pA}): 97 dB (A)
 Hangteljesítményszint (L_{WA}): 108 dB (A)
 Tűrés (K): 3 dB (A)

Viseljen fülvédőt

Vibráció

A vibráció teljes értéke (háromtengelyű vektorösszeg) EN62841 szerint meghatározva:

Típus HS6100, HS6101

Működési mód: favágás
 Rezgés kibocsátás ($a_{h,w}$): 2,5 m/s² vagy kevesebb
 Tűrés (K): 1,5 m/s²
 Működési mód: fém vágása
 Rezgés kibocsátás ($a_{h,m}$): 2,5 m/s²
 Tűrés (K): 1,5 m/s²

Típus HS7100, HS7101

Működési mód: favágás
 Rezgés kibocsátás ($a_{h,w}$): 2,5 m/s² vagy kevesebb
 Tűrés (K): 1,5 m/s²
 Működési mód: fém vágása
 Rezgés kibocsátás ($a_{h,m}$): 2,5 m/s²
 Tűrés (K): 1,5 m/s²

MEGJEGYZÉS: A rezgés kibocsátás értéke a szabványos vizsgálati eljárásnak megfelelően lett mérve, és segítségével az elektromos kéziszerszámok összehasonlíthatók egymással.

MEGJEGYZÉS: A rezgés kibocsátás értékének segítségével előzetesen megbecsülhető a rezgésnek való kitettség mértéke.

▲ FIGYELMEZTETÉS: A szerszám rezgés kibocsátása egy adott alkalmazásnál eltérhet a megadott értéktől a használat módjától függően.

▲ FIGYELMEZTETÉS: Határozza meg a kezelő védelmét szolgáló munkavédelmi lépéseket, melyek az adott munkafeltételek melletti vibrációs hatás becslés mértékén alapulnak (figyelembe véve a munkaciklus elemeit, mint például a gép leállításának és üresjáratának mennyiségét az elindítások száma mellett).

EK Megfelelőségi nyilatkozat

Csak európai országokra vonatkozóan

Az EK-megfelelőségi nyilatkozat az útmutató „A” mellékletében található.

A szerszámgépekre vonatkozó általános biztonsági figyelmeztetések

▲ FIGYELMEZTETÉS: Olvassa el a szerszámgéphez mellékelt összes biztonsági figyelmeztetést, utasítást, illusztrációt és a műszaki adatokat. A következőkben leírt utasítások figyelmen kívül hagyása elektromos áramütést, tüzet és/vagy súlyos sérülést eredményezhet.

Őrizzen meg minden figyelmeztetést és utasítást a későbbi tájékozódás érdekében.

A figyelmeztetéseken szereplő "szerszámgép" kifejezés az Ön hálózatról (vezetékes) vagy akkumulátorról (vezeték nélküli) működtetett szerszámgépére vonatkozik.

A körfűrészre vonatkozó biztonsági figyelmeztetések

Vágási eljárások

- ▲ VESZÉLY:** Tartsa kezét távol a fűrészlaptól és a vágás helyétől. Másik kezét tartsa a segédmarkolaton vagy a motorházon. Ha két kézzel tartja a fűrész, akkor a fűrészlap nem vághatja el a kezét.
 - Ne nyúljon a munkadarab alá.** A védőburkolat nem tudja megvédeni Önt a fűrészlaptól a munkadarab alatt.
 - Állítsa a vágási mélységet a munkadarab vastagságával megegyező értékre.** A munkadarab alatt a fűrészlapból egy teljes fognál kevesebbnek kel kilátzania.
 - Vágás közben soha ne kézben tartsa, és soha ne fektesse az ölébe a munkadarabot. Rögzítse a munkadarabot egy szilárd padozaton.** Nagyon fontos a munkadarab megfelelő alátámasztása, hogy elkerülje a személyi sérüléseket, a fűrészlárcsa meghajlását vagy a gép feletti irányítás elvesztését.
- **Ábra1**
- Tartsa az elektromos szerszámot a szigetelt markolófelületeinél fogva, amikor olyan művelet végez, amelynél fennáll a veszélye, hogy a vágószerszám rejtett vezetékbe vagy a saját vezetékbe ütközhet.** Feszültség alatt lévő vezetékekkel való érintkezéskor a szerszámgép alkatrészei is feszültség alá kerülnek, és megrázhathják a kezelőt.
 - Párhuzamos vágáskor mindig használja a párhuzamvezetőt vagy egy egyenes szélvezetőt.** Ez javítja a vágás pontosságát, és csökkenti a fűrészlap meghajlásának esélyét.
 - Mindig csak megfelelő méretű és alakú (gyémánt vagy kerek) tengelyfurattal rendelkező fűrészlárcsákat használjon.** Azok a fűrészlárcsák, amelyek nem illeszkednek a rögzítő alkatrészekhez, forgás közben nem maradnak középen, ami irányíthatatlansághoz vezet.
 - Soha ne használjon sérült vagy nem megfelelő alátétet vagy csavart a fűrészlaphoz.** A fűrészlap alátétet és a fejescsavart speciálisan ehhez a szerszámhoz tervezték, az optimális teljesítmény és a biztonságos működés biztosítása érdekében.

A visszarúgás okai és az ezzel kapcsolatos figyelmeztetések

- a visszarúgás a szerszám hirtelen reakciója beszorult, beakadt vagy rosszul álló fűrészlárcsa esetén, amely az irányíthatatlan szerszám felemelkedését és kilökődését okozza a munkadarab-ról a kezelő irányába;
- amikor a fűrészlárcsa beszorul vagy beakad az összezáródó fűrészjáratban, a fűrészlárcsa megáll, és a motor reakciója a gépet gyorsan a kezelő irányába lendíti;
- ha a fűrészlap megcsavarodik vagy nem áll megfelelően a vágatban, a fűrészlap fogai és hátsó széle belevájjá magát a munkadarab felső felületébe, miáltal a fűrészlap kiugrik a fűrészjáratból és a kezelő felé lendül.

A visszarúgás a szerszám helytelen használatának és/vagy a hibás megmunkálási eljárásnak az eredménye és az alább leírt óvintézkedések betartásával elkerülhető.

- Fogja stabilan a szerszámot mindkét kezével és tartsa úgy a karjait, hogy ellen tudjon állni a visszarúgáskor fellépő erőnek. Igazítsa a testét a fűrészlap valamelyik oldalára, de ne egy vonalba a fűrészlappal.** A visszarúgás a szerszám visszaugrását okozhatja, de a visszarúgáskor fellépő erőket a kezelő leküzdheti, ha a megfelelő óvintézkedéseket betartja.
- Amikor a fűrészlap meghajlott, vagy valamiről kell szakítania a vágási műveletet, engedje fel a kioldót és tartsa mozdulatlanul a fűrész az anyagban amíg teljesen meg nem áll. Soha ne próbálja eltávolítani a fűrész a munkadarabból vagy visszahúzni a fűrész amíg a fűrészlap mozgásban van, mert vissza-rúgás léphet fel.** Figyelje és korrigáló műveletekkel próbálja megelőzni a fűrészlap meghajlását.
- Amikor újra bekapcsolja a fűrész a munkadarabban, állítsa középre a fűrészlárcsát a fűrészjáratban és győződjön meg róla, hogy a fűrészfogak nem kapaszkodnak az anyagba.** Ha a fűrészlárcsa meghajlik, az kijöhet vagy visszarúghat a munkadarabból a szerszám újraindításakor.
- A nagyméretű falapokat támassza alá, hogy elkerülje a fűrészlap beszorulását és a vissza-rúgást.** A nagyméretű falapok meghajolhatnak saját súlyuk alatt. Támasztékot a falap mindkét oldalára kell tenni, a vágóvonal közelébe és a lap szélelőtől nem messze.

► Ábra2

► Ábra3

- Ne használjon tompa vagy sérült fűrészlapokat!** A nem elég éles vagy rosszul beállított fűrészlap keskeny fűrészjáratot eredményeznek, amely túlzott súrlódáshoz, a fűrészlap meghajlásához és visszarúgáshoz vezet.
- A fűrészlap mélységének és a ferdevágás szögének beállítására szolgáló reteszelőkarokat meg kell húzni és a vágás megkezdése előtt rögzíteni kell.** Ha a fűrészlap beállítása elmozdul a vágás alatt, akkor a fűrészlap meghajolhat, ami visszarúgást eredményez.
- Különösen figyeljen oda, amikor meglévő falak vagy más beláthatatlan területek vágására használja a szerszámot.** A kiálló fűrészlap olyan tárgyakba vághat bele, amik visszarúgást okozhatnak.

8. **MINDIG** tartsa szilárdan a szerszámot mindkét kezével! **SOHA** ne nyújtsa a kezét, lábát, vagy bármilyen más testrészét a szerszám alaplemeze alá vagy a fűrész mögé, különösen ha harántvágást végez! Ha visszarágás történik, a fűrész könnyen visszazuoghat a kezein át, komoly sérüléseket okozva.

► **Ábra4**

9. **Soha** ne erősítse a fűrész! Olyan sebességgel tolja előre a fűrész, hogy a fűrészlap lassulás nélkül vágjon. A fűrész erőltetése egyetlen vágásokat, a pontosság csökkenését és esetleg visszarágást okozhat.

Fűrészlapvédő funkció

1. Minden használat ellenőrizze, hogy az alsó fűrészlapvédő megfelelően zár-e. Ne működtesse a fűrész, ha az alsó fűrészlapvédő nem mozog akadálymentesen, és nem zár azonnal. **Soha** ne rögzítse vagy kösse ki az alsó fűrészlapvédőt nyitott állásban. Ha a fűrész véletlenül leesik, akkor az alsó fűrészlapvédő elhajolhat. Emelje fel az alsó fűrészlapvédőt a visszahúzó fogantyúval és ellenőrizze, hogy az szabadon mozog, és nem ér a fűrészlaphoz vagy bármely más alkatrészhez, egyik vágási szögnél vagy vágási mélységnél sem.
2. **Ellenőrizze** az alsó fűrészlapvédő rugójának működését. Ha védő vagy a rugó nem működik megfelelően, azokat használat előtt meg kell javítani. Az alsó fűrészlapvédő lassan mozoghat sérült alkatrészek, gyantalerakódások vagy hulladék felhalmozódása miatt.
3. **Az alsó fűrészlapvédőt csak összetett vágásokhoz, mint pl. a „leszűrő vágás” és a „kombinált vágás”, lehet kézzel felemelni.** Emelje fel az alsó fűrészlapvédőt a visszahúzó karral, majd amint a fűrészlap behatolt az anyagba, az alsó fűrészlapvédőt el kell engedni. Minden más típusú vágáshoz az alsó védőlemeznek automatikusan kell működnie.
4. **Mindig nézze meg, hogy az alsó fűrészlapvédő befedi a fűrészlapot, mielőtt leteszi a szerszámot az asztalra vagy a padlóra.** A védtelen, szabadon forgó fűrészlap miatt a szerszám elmozdulhat, átvágva az útjába kerülő tárgyakat. Ne feledje, hogy a fűrészlap megállásáig valamennyi idő elteltik a kapcsoló felengedése után.
5. **Az alsó fűrészlapvédő ellenőrzéséhez kézzel nyissa ki az alsó fűrészlapvédőt, majd engedje el, és nézze meg, hogy megfelelően záródik-e.** Ellenőrizze azt is, hogy a visszahúzó fogantyú nem érintkezik-e az eszköz motorházával. A fűrészlapot szabadon hagyni **NAGYON VESZÉLYES** és súlyos személyi sérülést okozhat.

További biztonsági figyelmeztetések

1. **Különösen figyeljen oda nedves fa, nyomás alatt ragasztott faanyag vagy görcsös fa vágásokor.** Haladjon egyenletesen előre a szerszámmal, a fűrészlap sebességének csökkenése nélkül, hogy elkerülje a fűrészlap fogainak túlmelegedését.
2. **Ne próbálja meg eltávolítani a levágott anyagot, amikor a fűrészlap még mozog. Várja meg, amíg a fűrészlap megáll, mielőtt megfogja a levágott darabot.** A fűrészlap szabadon forog a kikapcsolás után.

3. **Kerülje a szegek átvágását.** A vágás megkezdése előtt ellenőrizze a fatörzset, és húzza ki belőle az összes szeget.
4. **Tegye a fűrész alaplemezeinek szélesebb részét a munkadarab azon részére, amely stabilan alá van támasztva, ne arra a részre, amelyik leesik a vágás végén.** Ha a munkadarab rövid vagy kicsi, le kell fogatni. **NE PRÓBÁLJA A RÖVID MUNKADARABOKAT KÉZBEN TARTANI!**

► **Ábra5**

5. **Mielőtt leteszi a szerszámot a vágás befejezése után, győződjön meg róla, hogy az alsó fűrészlapvédő bezáródott és a fűrészlap teljesen megállt.**
6. **Soha** ne próbálja a körfűrészszel úgy vágni, hogy azt felfordítva befogja egy satuba! Ez különösen veszélyes és komoly sérülésekhez vezethet.
- **Ábra6**
7. **Egyes anyagok mérgező vegyületet tartalmazhatnak.** Gondoskodjon a por belélegzése elleni és érintés elleni védelemről. Tartsa be az anyag szállítójának biztonsági utasításait.
8. **Ne állítsa meg a tárcsát úgy, hogy oldalirányú nyomást fejt ki a fűrészlapra.**
9. **Ne használjon köszörtlátárcsát.**
10. **Csak a szerszámon jelzett vagy a kézikönyvben megadott átmérőjű fűrészlapokat használja.** A nem megfelelő méretű fűrészlap miatt a fűrészlap vagy a védőburkolat nem fogja megfelelően ellátni a funkcióját, ami súlyos személyi sérüléshez is vezethet.
11. **A fűrészlapokat tartsa élesen és tisztán.** A fűrészlapokra keményedett kátrány és gyanta lelassítja a fűrész és megnöveli a visszarágás kockázatát. Tartsa tisztán a fűrészlapot úgy, hogy először leszereli azt a szerszámról, majd megtisztítja gyanta és kátrányeltávolítóval, forró vízzel vagy kerozinnal. **Soha** ne használjon benzint.
12. **Viseljen pormaszkot és hallásvédőt a szerszám használatakor.**
13. **Mindig ahhoz az anyaghoz illő fűrészlátrácsát használjon, amelyet vágni tervez.**
14. **Csak olyan fűrészlátrácsát használjon, amelyek jelzett fordulatszáma megegyezik a szerszámon jelzett fordulatszámmal, vagy nagyobb annál.**
15. **(Csak európai országokra vonatkozóan)** Mindig az EN847-1 szabványnak megfelelő látrácsát használjon.

ŐRIZZE MEG EZEKET AZ UTASÍTÁSOKAT.

▲ FIGYELMEZTETÉS: **NE HAGYJA,** hogy (a termék többszöri használatából eredő) kényelem és megszokás váltsa fel a termék biztonsági előírásainak szigorú betartását. A **HELYTELEN HASZNÁLAT** és a használati útmutatóban szereplő biztonsági előírások megszegése súlyos személyi sérülésekhez vezethet.

MŰKÖDÉSI LEÍRÁS

⚠ VIGYÁZAT:

- Mindig bizonyosodjon meg a szerszám kikapcsolás és a hálózathoz nem csatlakoztatott állapotáról mielőtt ellenőrzi vagy beállítja azt.

A vágási mélység beállítása

▶ **Ábra7:** 1. Kar

⚠ VIGYÁZAT:

- A vágási mélység beállítása után mindig húzza meg a szabályozókart.

Lazítsa meg a mélységvezetőn található szabályozókart és mozgassa a talplemezt felfelé vagy lefelé. A kívánt vágási mélység beállítása után rögzítse a talplemezt a szabályozókar meghúzásával.

A tisztább és biztonságosabb vágás érdekében úgy állítsa be a vágási mélységet, hogy a fűrészlapnak legfeljebb egy foga nyúljon túl a munkadarabon. A megfelelően megválasztott vágási mélység elősegíti a veszélyes VISSZARÚGÁSOK veszélyének csökkentését, amelyek személyi sérüléseket okozhatnak.

Ferdevágás

▶ **Ábra8:** 1. Elülső kar

▶ **Ábra9:** 1. Hátsó szárnyasanya

Lazítsa meg az elülső kart és a hátsó szárnyasanyát. Állítsa be a kívánt szöget ($0^\circ - 50^\circ$) a megfelelő döntéssel, majd húzza meg a kart és a szárnyasanyát.

▶ **Ábra10:** 1. Ütköző

Használja a 45° -os ütközőt ha pontosan 45° -os vágást szeretne végezni. Fordítsa el az óramutató járásával megegyező irányba a ferdevágáshoz ($0^\circ - 45^\circ$) és fordítsa el az óramutató járásával ellentétes irányba a $0^\circ - 50^\circ$ ferdevágásokhoz.

Vezetés

▶ **Ábra11:** 1. 0° -os pozíció 2. 45° -os pozíció 3. Vágóvonal 4. Csavar

Egyenes vágásokhoz igazítsa a talplemez elején található 0° -os pozíciót a vágóvonalra. A 45° -os ferdevágáshoz igazítsa a 45° -os pozíciót a vágóvonalra. A fővezető pozíciója állítható.

A kapcsoló használata

▶ **Ábra12:** 1. Kioldókapcsoló 2. Kireteszelőgomb

⚠ VIGYÁZAT:

- A szerszám hálózatra csatlakoztatása előtt mindig ellenőrizze hogy a kapcsoló kioldógombja megfelelően mozog és visszatér a kikapcsolt (OFF) állapotba elengedése után.

A kioldókapcsoló véletlen meghúzásának elkerülésére egy kireteszelőgomb van felszerelve. A szerszám beindításához nyomja be a kireteszelőgombot és húzza meg a kioldókapcsolót. Engedje fel a kioldókapcsolót a leállításához.

Ne húzza túlzott erővel a kapcsolókart, ha nem nyomta be a kireteszelőkart. Ez a kapcsoló törését okozhatja.

A lámpa bekapcsolása

A modellhez HS6101, HS7101

⚠ VIGYÁZAT:

- Ne tekintsen a fénybe vagy ne nézze egyenesen a fényforrást.

▶ **Ábra13:** 1. Lámpa

A jelzőlámpa kigyullad, amikor a szerszám csatlakoztatva van az áramforráshoz. A jelzőlámpa világítani fog amíg a szerszámot nem áramtalanítják.

MEGJEGYZÉS:

- Használjon száraz rongyot a lámpa lencséin lévő szennyeződés eltávolításához. Ügyeljen arra hogy ne karcolja meg a lámpa lencséit, ez csökkentheti a megvilágítás erősségét.
- Ne használjon benzint, hígítót és más hasonló anyagot a lámpa lencséjének tisztításához. Az ilyen anyagok károsítják a lencsét.

ÖSSZESZERELÉS

⚠ VIGYÁZAT:

- Mindig bizonyosodjon meg a szerszám kikapcsolás és a hálózathoz nem csatlakoztatott állapotáról mielőtt bármilyen munkát végezze rajta.

A fűrészlap eltávolítása és felhelyezése

⚠ VIGYÁZAT:

- Ellenőrizze, hogy a fűrészlap úgy lett felszerelve, hogy a fogak a szerszám elejénél felfelé mutatnak.
- A fűrészlap felszereléséhez vagy eltávolításához csak a Makita kulcsot használja.

▶ **Ábra14:** 1. Imbuszkulcs 2. Lazítsa meg 3. Rögzíteni 4. Tengelyretesz

A fűrészlap eltávolításához nyomja be a tengelyreteszt, hogy a fűrészlap ne tudjon elfordulni, és a kulcs segítségével lazítsa meg a hatlapfejű csavart az óramutató járásával ellentétes irányba forgatva azt. Ezután csavarja le a csavart, és vegye le a külső illesztőperemet és a fűrészlapot.

15,88 mm-es belső furatátmérővel rendelkező belső illesztőperemet használó körfűrészhez

- **Ábra15:** 1. Tartótengely 2. Belső illesztőperem
3. Fűrészlap 4. Külső illesztőperem
5. Hatlapfejű csavar

Helyezze fel a hornyolt oldalával kifelé néző belső illesztőperemet a tartótengelyre, majd helyezze fel a körfűrészlapot, a külső illesztőperemet és az imbuszcsavart. AZ IMBUSZCSAVART AZ ÓRAMUTATÓ JÁRÁSÁVAL EGYEZŐ IRÁNYBA SZOROSAN HÚZZA MEG.

A 15,88 mm-es belső furatátmérőtől eltérő belső illesztőperemmel rendelkező körfűrészlap esetén

- **Ábra16:** 1. Tartótengely 2. Belső illesztőperem
3. Fűrészlap 4. Külső illesztőperem
5. Hatlapfejű csavar

A belső illesztőperem bizonyos átmérőjű kiemelkedéssel rendelkezik az egyik oldalán, valamint egy eltérő átmérőjű kiemelkedéssel rendelkezik a másik oldalán. Válassza ki azt az oldalt, melynek kiemelkedése tökéletesen beleillik a körfűrészlap nyílásába.

Ezután szerelje fel a belső illesztőperemet a tartótengelyre úgy, hogy a megfelelő kiemelkedéssel rendelkező oldala kifelé nézzen, majd helyezze fel a körfűrészlapot és a külső illesztőperemet.

BIZONYOSODJON MEG ARRÓL, HOGY A RÖGZÍTŐANYA BIZTOSAN MEG VAN HÚZVA.

⚠ VIGYÁZAT:

- **Ügyeljen arra, hogy a kifelé néző „a” kiemelkedés a belső illesztőperemen tökéletesen illeszkedjen a körfűrészlap „a” nyílásába.** Amennyiben a fűrészlapot a rossz oldalával szereli fel, veszélyes rezgés jöhet létre.

- **Ábra17:** 1. Gyűrű 2. Belső illesztőperem
3. Fűrészlap 4. Külső illesztőperem
5. Hatlapfejű csavar

A fűrészlap cseréjekor ügyeljen rá, hogy megtisztítsa a felső és alsó fűrészlapvédőt a lerakódott fűrészportól. Ezek a műveletek ugyanakkor nem helyettesítik az alsó védő működésének minden használat előtt szükséges ellenőrzését.

Az imbuzkulcs tárolása

- **Ábra18:** 1. Imbuzkulcs

Amikor nem használja, tárolja az imbuzkulcsot az ábrán látható módon, nehogy elveszsen.

Porszívó csatlakoztatása

- **Ábra19:** 1. Porkifúvó 2. Csavar

- **Ábra20:** 1. Porszívó 2. Cső

Amikor tiszta vágást szeretne végezni, csatlakoztasson egy Makita porszívót a szerszámmal. Szerelje fel a porkifúvót a szerszámra a csavarokkal. Ezt követően csatlakoztassa a porszívó csövét a porkifúvóhoz az ábrának megfelelően.

ÜZEMELTETÉS

⚠ VIGYÁZAT:

- Figyeljen oda, hogy a szerszámot egyenes vonal mentén, folyamatosan tolja előre. A szerszám erőltetése vagy csavarása a motor túlmelegedéséhez vezet, valamint veszélyes visszarúgásokat eredményez, amelyek súlyos sérüléseket okozhatnak.
- Mindig használja az elülső markolatot és a hátsó fogantyút, és szilárdan tartsa a szerszámot az elülső markolatánál és a fő fogantyújánál fogva a munka során.

Erősen fogja a szerszámot. A szerszám elülső fogantyúval és hátulsó markolattal van ellátva. Használja mindkettőt a szerszám fogásához. Ha mindkét kezével a fűrész fogja, azokat nem vághatja meg a fűrészlap. Helyezze a talplemezt a vágni kívánt munkadarabra úgy, hogy a fűrészlap ne érjen semmihez. Ezután kapcsolja be a szerszámot és várja meg, amíg a fűrészlap teljes fordulatszámra forog. Most egyszerűen mozgassa előre a szerszámot a munkadarab felületén, azt vízszintesen tartva és haladva előre a fűrészelés befejeződéséig.

A hibátlan vágásokhoz haladjon a fűrészsel egyenesen, egyenletes előrehaladási sebességgel. Ha vágás nem követi pontosan a tervezett vágóvonalat, ne próbálja a szerszámot visszaerőltetni vagy visszafordítani a vágóvonalhoz. Ha mégis így tesz, az a fűrészlap beszorulását okozhatja és veszélyes visszarúgásokhoz vezethet, amelyek komoly sérüléseket okozhatnak. Engedje fel a kapcsolót, várja meg, amíg a fűrészlap leáll, majd húzza ki a szerszámot. Igazítsa újra a szerszámot az új vágóvonalra és kezdje újra a vágást. Igyekezzen elkerülni, hogy olyan testhelyzetet vegyen fel, amelyben kiteszi magát a fűrészből kilépő forgácsoknak és fűrészpornak. Használjon védőszemüveget a sérülések megelőzése érdekében.

- **Ábra21**

Párhuzamvezető (vezetővonalzó)

- **Ábra22:** 1. Szorítókar 2. Párhuzamvezető (vezetővonalzó)

A praktikus párhuzamvezető extra pontos egyenes vágások elvégzését teszi lehetővé. Egyszerűen illeszse a párhuzamvezetőt a munkadarab oldalához és rögzítse azt a talplemez elején található rögzítőkarral. Ezzel lehetővé válik egymás után több azonos szélességű vágás elvégzése is.

KARBANTARTÁS

⚠ VIGYÁZAT:

- Mindig bizonyosodjék meg arról hogy a szerszám kikapcsol és a hálózatra nem csatlakoztatott állapotban van mielőtt a vizsgálatához vagy karbantartásához kezdene.
- Soha ne használjon gázolajt, benzint, hígítót, alkoholt vagy hasonló anyagokat. Ezek elszineződést, alakvesztést vagy repedést okozhatnak.

A 0°-os és 45°-os vágások (függőleges és 45°-os vágások) pontosságának beállítása

► **Ábra23:** 1. Beállítócsavar 0°-hoz 2. Beállítócsavar 45°-hoz

► **Ábra24:** 1. Háromszögvonalzó

Ezt a beállítást a gyárban már elvégezték. De ha ez nem megfelelő, akkor egy imbuszkulcs segítségével állítsa be a beállítócsavarokat, a fűrészlap és a talplemez közötti 0°-os vagy 45°-os szöveget egy háromszög-vonalzóval, derékszögű vonalzóval, stb. ellenőrizve.

A párhuzamosság beállítása

► **Ábra25:** 1. Alaplemez 2. Csavar 3. Fűrészlap

A fűrészlap és a talplemez párhuzamosságának beállítását a gyárban már elvégezték. Amennyiben ez nem megfelelő, a beállítást Ön is elvégezheti a következő módon.

Ügyeljen rá, hogy minden kar és csavar rögzítve legyen. Enyhén lazítsa meg a csavart az ábrán látottak szerint. Mialatt kinyitja az alsó fűrészlapvédőt, állítsa be a talplemez hátsó részét úgy, hogy az A és B távolság egyenlő legyen. A beállítás után húzza meg a csavart. Végezzen tesztvágást a párhuzamos beállítás ellenőrzéséhez.

A szénkefék cseréje

► **Ábra26:** 1. Határjelzés

A szénkefeket cserélje és ellenőrizze rendszeresen. Cserélje ki azokat amikor lekopnak egészen a határjelzésig. Tartsa tisztán a szénkefeket és biztosítsa hogy szabadon mozoghassanak tartójukban. Mindkét szénkefét egyszerre cserélje ki. Használjon egyforma szénkefeket.

Csavarhúzó segítségével távolítsa el a kefetartó sapkát. Vegye ki a kopott szénkefeket, tegye be az újakat és helyezze vissza a kefetartó sapkákat.

► **Ábra27:** 1. Csavarhúzó 2. Kefetartó sapka

A szénkefék cseréje után működtesse a szerszámgépet üresjáraton körülbelül 10 percig. Ezután ellenőrizze a szerszámgép működését és az elektromos féket a kioldókapcsoló felengedésekor. Ha az elektromos fék nem működik megfelelően, javíttassa meg a szerszámgépet Makita szakszervizben.

A termék BIZTONSÁGÁNAK és MEGBÍZHATÓSÁGÁNAK fenntartásához, a javításokat, bármilyen egyéb karbantartást vagy beállításokat a Makita Autorizált Szervizközpontoknak kell végrehajtaniuk, mindig Makita pótalkatrészek használatával.

OPCIONÁLIS KIEGÉSZÍTŐK

⚠ VIGYÁZAT:

- Ezek a tartozékok vagy kellékek ajánlottak az Önnek ebben a kézikönyvben leírt Makita szerzőszámához. Bármely más tartozék vagy kellék használata személyes veszélyt vagy sérülést jelenthet. A tartozékokat vagy kelléket használja csupán annak kifejezett rendeltetésére.

Ha bármilyen segítségre vagy további információkra van szüksége ezekkel a tartozékokkal kapcsolatban, keresse fel a helyi Makita Szervizközpontot.

- Fűrészlapok
- Párhuzamvezető (vezetővonalzó)
- Vezetősín
- Vezetősín-adapter
- Imbuszkulcs
- Csatlakozó

MEGJEGYZÉS:

- A listán felsorolt néhány kiegészítő megtalálható az eszköz csomagolásában standard kiegészítőként. Ezek országonként eltérőek lehetnek.

TECHNICKÉ ÚDAJE

Model		HS6100	HS6101	HS7100	HS7101
Priemer ostria		165 mm		190 mm	
Maximálna hĺbka rezu	pri 0°	54,5 mm		67 mm	
	pri 45°	39,5 mm		48,5 mm	
	pri 50°	35,5 mm		43,5 mm	
Otáčky naprázdno (min ⁻¹)		5500			
Celková dĺžka		297 mm		310 mm	
Hmotnosť netto		3,5 kg	3,5 kg	3,7 kg	3,8 kg
Trieda bezpečnosti		□/II			

- Vzhľadom na neustály výskum a vývoj podliehajú technické údaje uvedené v tomto dokumente zmenám bez upozornenia.
- Technické údaje sa môžu pre rôzne krajiny líšiť.
- Hmotnosť podľa postupu EPTA 01/2014

Určené použitie

Tento nástroj je určený na vykonávanie pozdĺžnych a priečných priamych rezov a zrezávaní v uhloch do dreva s pevným kontaktom s obrobkom. Pri použití príslušných pilových ostří je možné píliť aj hliník.

Pre verejnú nízkonapäťové rozvodné systémy s napätím 220 V až 250 V.

Prepínania elektrického prístroja spôsobujú kolísanie napätia. Prevádzka toho zariadenia za nepriaznivých podmienok v sieti môže mať škodlivý účinok na prevádzku iných zariadení. Pri impedancii siete rovnvej 0,32 ohmov alebo nižšej možno predpokladať, že nenastanú žiadne negatívne účinky. Sieťová zástrčka použitá pre toto zariadenie musí byť chránená poistkou alebo ochranným ističom s pomalými charakteristikami vypínania.

Hluk

Typická hladina akustického tlaku pri záťaži A určená podľa EN62841:

Model HS6100, HS6101

Hladina akustického tlaku (L_{pA}): 98 dB (A)
 Hladina akustického výkonu (L_{WA}): 109 dB (A)
 Odchýlka (K): 3 dB (A)

Model HS7100, HS7101

Hladina akustického tlaku (L_{pA}): 97 dB (A)
 Hladina akustického výkonu (L_{WA}): 108 dB (A)
 Odchýlka (K): 3 dB (A)

Používajte chrániče sluchu

Vibrácie

Celková hodnota vibrácií (trojosový vektorový súčet) určená podľa normy EN62841:

Model HS6100, HS6101

Pracovný režim: rezanie dreva
 Emisie vibrácií ($a_{h,W}$): 2,5 m/s² alebo menej
 Odchýlka (K): 1,5 m/s²
 Pracovný režim : rezanie kovov
 Emisie vibrácií ($a_{h,M}$): 2,5 m/s²
 Odchýlka (K): 1,5 m/s²

Model HS7100, HS7101

Pracovný režim: rezanie dreva
 Emisie vibrácií ($a_{h,W}$): 2,5 m/s² alebo menej
 Odchýlka (K): 1,5 m/s²
 Pracovný režim : rezanie kovov
 Emisie vibrácií ($a_{h,M}$): 2,5 m/s²
 Odchýlka (K): 1,5 m/s²

POZNÁMKA: Deklarovaná hodnota emisií vibrácií bola meraná podľa štandardnej skúšobnej metódy a môže sa použiť na porovnanie jedného náradia s druhým.

POZNÁMKA: Deklarovaná hodnota emisií vibrácií sa môže použiť aj na predbežné posúdenie vystavenia ich účinkom.

VAROVANIE: Emisie vibrácií počas skutočného používania elektrického náradia sa môžu odlišovať od deklarovanej hodnoty emisií vibrácií, a to v závislosti na spôsoboch používania náradia.

VAROVANIE: Nezabudnite označiť bezpečnostné opatrenia s cieľom chrániť obsluhu, a to tie, ktoré sa zakladajú na odhade vystavenia účinkom v rámci reálnych podmienok používania (berúc do úvahy všetky súčasti prevádzkového cyklu, ako sú doby, kedy je náradie vypnuté a kedy beží bez zaťaženia, ako dodatok k dobe zapnutia).

Vyhlasenie o zhode ES

Len pre krajiny Európy

Vyhlasenie o zhode ES sa nachádza v prílohe A tohto návodu na obsluhu.

Všeobecné bezpečnostné predpisy pre elektrické nástroje

VAROVANIE: Preštudujte si všetky bezpečnostné varovania, pokyny, vyobrazenia a technické špecifikácie určené pre tento elektrický nástroj. Pri nedodržaní všetkých nižšie uvedených pokynov môže dôjsť k úrazu elektrickým prúdom, požiaru alebo vážnemu zraneniu.

Všetky výstrahy a pokyny si odložte pre prípad potreby v budúcnosti.

Pojem „elektrický nástroj“ sa vo výstrahách vzťahuje na elektricky napájané elektrické nástroje (s káblom) alebo batériu napájané elektrické nástroje (bez kábla).

Bezpečnostné výstrahy pre kotúčovú pílu

Postupy rezania

- NEBEZPEČENSTVO:** Ruky držte mimo oblasti rezania a čepele. Druhú ruku držte na pomocnej rúčke alebo kryte motora. Ak držíte pílu oboma rukami, neporežete si ich čepeľou.
 - Nesiahajte pod obrobok.** Kryt vás neochráni pred čepeľou pod obrobkom.
 - Hĺbku rezania prispôsobte hrúbke obrobku.** Čepeľ by nemala presahovať pod obrobok o viac ako celý zub čepele.
 - Počas rezania nikdy nedržte obrobok rukami ani krížom cez nohu.** Zaisťujte obrobok k stabilnému povrchu. Je dôležité obrobok správne podoprieť, aby sa minimalizovalo vystavenie tela, riziko zovretia ostria alebo strata kontroly.
- Obr.1
- Ak pri práci hrozí, že by sečné náradie mohlo prísť do kontaktu so skrytým vedením alebo vlastným káblom, držte elektrický nástroj len za izolované povrchy určené na držanie.** Kontakt s vodičom pod napätím môže spôsobiť prenos napätia do nechránených kovových častí elektrického nástroja a ohroziť tak obsluhu zasiahnutím elektrickým prúdom.
 - Pri pozdĺžnom rezaní vždy používajte vodidlo na pozdĺžne rezanie alebo vodiaci prvok s rovným okrajom.** Taktó vylepšíte presnosť rezu a znížite možnosť zaseknutia čepele.
 - Vždy používajte čepele so správnou veľkosťou a tvarom otvorov na hriadeľ (diamantový alebo okrúhly).** Čepele, ktoré nezodpovedajú spôsobu uchytenia na píle, sa budú pohybovať excentricky a spôsobia stratu kontroly.
 - Nikdy nepoužívajte poškodené alebo nesprávne podložky alebo maticové skrutky na čepeľ.** Podložky alebo maticové skrutky na čepeľ boli špeciálne vyrobené pre vašu pílu na dosiahnutie optimálneho výkonu a bezpečnej prevádzky.

Príčiny spätného nárazu a príslušné varovania

- spätný náraz je náhla reakcia na zovretú, zaseknutú alebo vyosenú čepeľ píly, ktorá spôsobí nekontrolované nadvihnutie a odhodenie píly od obrobku smerom k obsluhujúcej osobe;
- keď sa čepeľ zovrie alebo tesne zablokuje zvierajúcim sa zárezom, čepeľ stratí rýchlosť a reakcia motora rýchlo odrazí jednotku dozadu smerom k obsluhujúcej osobe;
- ak sa čepeľ v reze skrúti alebo vyosí, zuby na zadnom okraji čepele sa môžu zarezat' do horného povrchu dreva a spôsobiť zdvihnutie čepele zo zárezu a dozadu smerom k obsluhujúcej osobe.

Spätný náraz je výsledok nesprávneho používania píly a/alebo nesprávnych prevádzkových postupov alebo podmienok a možno sa mu vyhnúť vykonaním príslušných protipatrení uvedených nižšie.

- Pílu držte pevne oboma rukami a ramená držte tak, aby ste odolali sile spätného nárazu. Postavte sa k čepeľi zboku, nestojte v línii čepele.** Spätný náraz by mohol spôsobiť odskočenie píly dozadu, ale spätý náraz môže obsluhujúca osoba zvládnuť, ak vykoná príslušné protipatrenia.
- Keď sa čepeľ zovrie alebo keď z nejakého dôvodu prerušíte rezanie, uvoľnite spínač a držte pílu bez pohnutia v materiáli, kým sa čepeľ úplne nezastaví. Nikdy nevyberajte pílu zo zárezu ani ju neťahajte dozadu, kým sa čepeľ píly pohybuje, inak môže dôjsť k spätnému nárazu.** Zistite a vykonajte nápravné kroky a eliminujte príčinu zvierania čepele.
- Pri opätovnom spúšťaní píly v obrobku vycen-trujte čepeľ píly v záreze a skontrolujte, či zuby píly nie sú vnorené do materiálu.** Ak je čepeľ píly zovretá, môže sa pri opätovnom spustení píly vysunúť zo zárezu alebo odraziť od obrobku.
- Veľké panely podoprite, aby sa minimalizovalo riziko zovretia alebo spätného nárazu čepele.** Veľké panely sa môžu prehýbať pod vlastnou váhou. Podpery treba umiestniť pod panel na oboch stranách do blízkosti línie rezu a do blízkosti okraja panela.

► Obr.2

► Obr.3

- Nepoužívajte tupé alebo poškodené čepele.** Nenaostrené alebo nesprávne pripravené čepele vytvárajú úzky zárez, čo spôsobuje nadmerné trenie, zovretie čepele a spätý náraz.
- Zaisťovacie páčky nastavenia hĺbky a skose-nia čepele musia byť pred rezaním utiahnuté a zaistené.** Pohyb nastavenia čepele počas rezania môže viesť k zovretiu a spätnému nárazu.
- Pri rezaní do existujúcich stien alebo iných zakrytých plôch venujte práci maximálnu pozornosť.** Prenikajúca čepeľ môže prerzať predmety s dôsledkom spätného nárazu.
- Vždy držte nástroj pevne oboma rukami. NIKDY nedávajte ruku, nohu či ľubovoľnú časť tela pod základňu nástroja alebo za pílu, najmä pri vykonávaní priečných rezov.** Ak dôjde k spätnému nárazu, píla by mohla ľahko odskočiť dozadu na vašu ruku, čo by mohlo spôsobiť vážne poranenie.

► Obr.4

9. Nikdy pílu nepritláčajte nasilu. Pílu tlačte dopredu takou rýchlosťou, aby ostrie rezalo bez spomalenia. Prítlačaním píly vznikne nerovnomerný rez, zníži sa presnosť a hrozí možný spätný náraz.

Funkcia krytu

1. **Pred každým použitím skontrolujte, či sa spodný kryt správne uzavrel. Pílu nepoužívajte, ak sa spodný kryt nepohybuje voľne a okamžite sa neuzavrie. Nikdy neupínajte ani neupevňujte spodný kryt v otvorenej polohe.** Ak vám píla náhodou spadne, spodný kryt sa môže ohnúť. Nadvihnite spodný kryt pomocou zaťahovacej rúčky a skontrolujte, či sa pohybuje voľne a nedotýka sa ostria ani žiadnej inej časti vo všetkých rezných uhloch a hĺbkach.
2. **Skontrolujte funkčnosť pružiny spodného krytu. Ak kryt a pružina nefungujú správne, pred použitím ich treba opraviť.** Spodný kryt sa môže pohybovať pomaly, keď má poškodené časti, je zalepený nahromadenými zvyškami alebo nánosmi.
3. **Spodný kryt treba zatiahnuť manuálne len pri špeciálnych rezoch, ako sú „zapichovacie rezy“ a „zložené rezy“.** Nadvihnite spodný kryt pomocou zaťahovacej rúčky a pri preniknutí čepele do materiálu kryt uvoľnite. Pri všetkých ostatných spôsoboch pílenia by sa mal spodný kryt pohybovať automaticky.
4. **Pred tým, ako pílu položíte na stôl alebo dlážku, skontrolujte, či spodný kryt zakrýva ostrie.** Nechránená čepel v pohybe spôsobí spätný pohyb píly, pričom prereže všetko, čo jej bude stáť v ceste. Majte na pamäti, že čepeli trvá istý čas, kým sa po uvoľnení spínača zastaví.
5. **Ak chcete skontrolovať spodný kryt, otvorte ho rukou, potom ho uvoľnite a sledujte, ako sa uzavrie. Skontrolujte aj to, či sa zaťahovacia rúčka nedotýka puzdra nástroja.** Obnažené ostrie je **VELMI NEBEZPEČNÉ** a môže zapríčiniť vážne zranenie.

Doplňujúce bezpečnostné varovania

1. **Pri rezaní vlhkého dreva, tlakom upraveného stavebného dreva alebo dreva obsahujúceho hrče postupujte mimoriadne opatrne.** Zachovávajúce plynulý posuv nástroja bez znížovania rýchlosti čepele, aby ste predišli prehrievaniu hrotov čepele.
2. **Nepokúšajte sa odstraňovať rezaný materiál, kým sa čepel pohybuje. Než uchopíte odrezaný materiál, počkajte, kým sa čepel zastaví.** Čepel sa po vypnutí zastavuje postupne.
3. **Nerezte klince. Pred rezaním skontrolujte, či na stavebnom dreve nie sú klince, a v prípade potreby ich odstráňte.**
4. **Širšiu časť základne píly položte na tú časť obrobku, ktorá je pevne podporetá, nie na časť, ktorá odpadne po vykonaní rezu. Ak je obrobok krátky alebo malý, upnite ho svorkou. KRÁTKE KUSY NIKDY NEDRŽTE V RUKU!**

► Obr.5

5. **Pred odťahnutím nástroja po vykonaní rezu vždy počkajte, kým sa dolný kryt zatvorí a čepel sa úplne zastaví.**
6. **Nikdy sa nesnažte píliť s kotúčovou pílou uchytanou vo zveráku spodnou časťou nahor. Takýto postup je extrémne nebezpečný a môže spôsobiť závažné nehody.**

► Obr.6

7. **Niektoré materiály obsahujú chemikálie, ktoré môžu byť jedovaté. Dávajte pozor, aby ste ich nedychovali ani sa ich nedotýkali. Prečítajte si bezpečnostné informácie dodávateľa materiálu.**
8. **Čepele nezastavujte bočným tlakom na čepel píly.**
9. **Nepoužívajte žiadne brúsne kotúče.**
10. **Používajte čepel píly len s takým priemerom, aký je vyznačený na nástroji alebo aký je uvedený v návode.** Používanie čepele nesprávnej veľkosti môže negatívne ovplyvniť správnu ochranu čepele alebo činnosť krytu, v dôsledku čoho hrozí zranenie osôb.
11. **Čepel udržiavajte ostrú a čistú.** Guma a živica zatvrdnuté na čepeli spomaľujú pílu a zvyšujú riziko spätného nárazu. Čepel udržiavajte čistú – vyberte ju z nástroja a potom ju vyčistite látkou na odstránenie gumy a živice, horúcou vodou alebo petrolejom. Nikdy nepoužívajte benzín.
12. **Pri práci s nástrojom používajte protiprachovú masku a ochranu sluchu.**
13. **Vždy používajte čepel píly určenú na rezanie materiálu, ktorý idete rezať.**
14. **Používajte len čepel píly s vyznačenou maximálnou rýchlosťou, ktorá sa rovná alebo je vyššia ako rýchlosť vyznačená na nástroji.**
15. **Len pre krajinu Európy** Vždy používajte čepel, ktorá zodpovedá norme EN847-1.

TIETO POKYNY USCHOVAJTE.

VAROVANIE: NIKDY nepripustíte, aby seba-vedomie a dobrá znalosť výrobku (získané opakovaným používaním) nahradili presné dodržiavanie bezpečnostných pravidiel pri používaní náradia. **NESPRÁVNE POUŽÍVANIE** alebo nedodržiavanie bezpečnostných zásad uvedených v tomto návode môže viesť k vážnemu zraneniu.

POPIS FUNKCIE

⚠ POZOR:

- Pred nastavovaním nástroja alebo kontrolou jeho funkcie sa vždy presvedčte, že je vypnutý a vytiahnutý zo zásuvky.

Nastavenie hĺbky rezu

- **Obr.7:** 1. Páčka

⚠ POZOR:

- Po nastavení hĺbky rezu vždy bezpečne dotiahnite páku.

Uvoľnite páku na pravítku hĺbky a posuňte podložku nahor alebo nadol. Pri požadovanej hĺbke rezu zabezpečte podložku dotiahnutím páky.

Čistejšie a bezpečnejšie rezy dosiahnete takým nastavením hĺbky rezu, aby pod obrobkom prečnieval len jeden zub. Používanie správnej hĺbky rezu pomáha znížiť prípadné nebezpečné SPÄTNÉ NÁRAZY, ktoré môžu spôsobiť zranenie osôb.

Skosené rezanie

- **Obr.8:** 1. Predná páčka

- **Obr.9:** 1. Zadná krídlová matica

Uvoľnite prednú páčku a zadnú krídlovú maticu. Naklonením nastavte požadovaný uhol ($0^\circ - 50^\circ$), potom páčku a krídlovú maticu bezpečne dotiahnite.

- **Obr.10:** 1. Zarážka

Pri presnom 45° reze použite doraz 45° . Pre úkosový rez ($0^\circ - 45^\circ$) úplne otočte doraz v smere hodinových ručičiek a proti smeru hodinových ručičiek pre úkosové rezy $0^\circ - 50^\circ$.

Zameriavanie

- **Obr.11:** 1. Poloha 0° 2. Poloha 45° 3. Čiara rezania 4. Skrutka

Priame rezy dosiahnete vyrovnaním polohy 0° na prednej strane podložky s vašou líniou rezu. Úkosové rezy pod uhlom 45° dosiahnete vyrovnaním s polohou 45° . Poloha horného vodiaceho prvku je nastaviteľná.

Zapínanie

- **Obr.12:** 1. Spínač 2. Tlačidlo odomknutia

⚠ POZOR:

- Pred pripojením nástroja do zásuvky vždy skontrolujte, či spúšť funguje správne a po uvoľnení sa vracia do vypnutej polohy.

Abyste nedochádzalo k náhodnému vytiahnutiu spúšťacieho spínača, nachádza sa tu odomkacie tlačidlo. Nástroj spustíte stlačením uzamykacieho tlačidla a potiahnutím spúšťacieho tlačidla. Zastavíte ho uvoľnením spínača.

Nevytiahnite silno páčku vypínača bez potiahnutia odomkacej páčky. Môže to spôsobiť zlomenie vypínača.

Zapnutie žiarovky

Pro Model HS6101, HS7101

⚠ POZOR:

- Neďívajte sa priamo do svetla alebo jeho zdroja.

- **Obr.13:** 1. Svetlo

Pri zapojení nástroja sa rozsvieti indikátor. Indikátor svieti, kým nástroj neodpojíte.

POZNÁMKA:

- Na utretie nečistôt z šošovky svetla použijte suchú handričku. Dávajte pozor, aby ste šošovku svetla nepoškrabali, môže sa tým zmenšiť jeho svietivosť.
- Na čistenie skla žiarovky nepoužívajte benzín, riedidlo ani podobné látky. Uvedené látky poškodia sklo žiarovky.

MONTÁŽ

⚠ POZOR:

- Než začnete na nástroji robiť akékoľvek práce, vždy sa predtým presvedčte, že je vypnutý a vytiahnutý zo zásuvky.

Vybratie alebo vloženie pílového kotúča

⚠ POZOR:

- Uistite sa, že kotúč je vložený tak, aby zuby smerovali k prednej časti nástroja.
- Na vloženie alebo vybratie kotúča používajte výhradne kľúče spoločnosti Makita.

- **Obr.14:** 1. Šesťhranný francúzsky kľúč 2. Uvoľniť 3. Utiahnúť 4. Posúvačový uzáver

Pri vyberaní kotúča stlačte posúvačový uzáver tak, aby sa kotúč nemohol otáčať a príslušným kľúčom uvoľnite skrutku so šesťhrannou hlavou proti smeru hodinových ručičiek. Potom vyberte skrutku so šesťhrannou hlavou, vonkajšiu prírubu a kotúč.

Pre náradie s vnútornou prírubou na reznú čepeľ s priemerom otvoru 15,88 mm

- **Obr.15:** 1. Montážny hriadeľ 2. Vnútorná obruba 3. Čepeľ píly 4. Vonkajšia obruba 5. Šesťboká skrutka

Vnútornú prírubu namontujte na montážny hriadeľ tak, aby jej strana s preliačinou smerovala von a následne nasadíte reznú čepeľ, vonkajšiu prírubu a šesťhrannú skrutku.

ŠESTĤHRANNÚ SKRUTKU UTIAHNITE DÔKLADNE V SMERE HODINOVÝCH RUČIČIEK.

Pre náradie s vnútornou prírubou na reznú čepeľ s priemerom otvoru iným ako 15,88 mm

- **Obr.16:** 1. Montážny hriadeľ 2. Vnútorná obruba
3. Čepeľ píly 4. Vonkajšia obruba
5. Šest'boká skrutka

Vnútorná príruha má výčnelok určitého priemeru na svojej jednej strane a výčnelok iného priemeru na druhej strane. Vyberte správnu stranu kde výčnelok dobre zapadne do otvoru na reznej čepeľi. V ďalšom namontujte prírubu na montážny hriadeľ, a to tak, aby správna strana s výčnelkom na vnútornej príruhe smerovala von; následne nasadíte reznú čepeľ a vonkajšiu prírubu. ŠEST'HRANNÚ SKRUTKU UTIAHNITE DÔKLADNE V SMERE HODINOVÝCH RUČÍČIEK.

⚠ POZOR:

- Dávajte pozor, aby výčnelok „a“ sa vnútornej príruhe smerujúci von dosadol do otvoru „a“ na reznej čepeľi. Namontovanie čepele na nesprávnu stranu môže mať za následok nebezpečné vibrácie.

- **Obr.17:** 1. Prstenc 2. Vnútorná obruba 3. Čepeľ píly 4. Vonkajšia obruba 5. Šest'boká skrutka

Pri výmene kotúča je potrebné tiež vyčistiť horný a dolný pílový kryt od nahromadených pilín. Okrem toho je však potrebné pred každým použitím skontrolovať prevádzku dolného krytu.

Uskladnenie šesťhranného kľúča

- **Obr.18:** 1. Šesťhranný francúzsky kľúč

Ak šesťhranný kľúč nepoužívate, uskladnite ho podľa obrázkového návodu, aby sa nestratil.

Pripojenie vysávača

- **Obr.19:** 1. Otvor na prach 2. Skrutka

- **Obr.20:** 1. Vysávač 2. Hadica

Ak chcete rezať bez prachu, k nástroju pripojte vysávač Makita. Pomocou skrutiek namontujte prachovú hubicu na nástroj. Potom podľa obrázka pripojte k prachovej hubici hadicu vysávača.

PRÁCA

⚠ POZOR:

- Nástroj pomaly posúvajte vpred v rovnej línii. Tlačenie alebo krútením nástroja sa prehreje motor a vzniknú nebezpečné nárazy, ktoré môžu spôsobiť vážne zranenie.
- Vždy používajte prednú rukoväť a zadnú rukoväť a nástroj pri práci držte pevne oboma rukami za prednú i zadnú rukoväť.

Nástroj držte pevne. Na nástroji je predné držadlo a zadná rukoväť. Nástroj sa drží najlepšie za obidve držadlá. Ak obidvomi rukami držíte pílu, nemôžete si ich porezať. Nastavte predložku na obrobok tak, aby sa pri rezaní nedotýkala kotúča. Potom zapnite nástroj a počkajte, kým kotúč nedosiahne plnú rýchlosť. Teraz nástroj len posúvajte vpred po povrchu obrobku, postupuje plynulo až do skončenia pílenia.

Čistý rez dosiahnete, keď bude vaša línia rezu priama a rýchlosť rezania jednotná. Ak rez nedodržiava vašu predpokladanú líniu rezu, nesnažte sa otočiť alebo tlačiť nástroj späť do línie rezu. Kotúč sa môže zadrieť a spôsobiť nebezpečné nárazy a prípadné vážne zranenie. Uvoľnite spínač, počkajte, kým sa kotúč zastaví a potom odiahnite nástroj. Znovu nasmerujte nástroj na novú líniu rezu a začnite rezať znovu. Snažte sa vyhnúť polohovaniu, ktoré spôsobí, že operátor je vystavený trieskam a pilinám odletujúcim z píly. Používajte ochranu očí, zvýši sa vaša ochrana pred zranením.

- **Obr.21**

Pravítko na pozdĺžne rezanie (vodiaca linka)

- **Obr.22:** 1. Upínacia páka 2. Ochranné zariadenie na pozdĺžne rezanie (vodiaca linka)

Pomocou pravítka na pozdĺžne rezanie môžete robiť výnimočne presné priame rezy. Pohodlne posúvajte pravítko pri strane obrobku a svorkou na prednej strane podložky ho zaistíte v polohe. Pomocou neho je možné urobiť opakované rezy s jednotnou šírkou.

ÚDRŽBA

⚠ POZOR:

- Než začnete robiť kontrolu alebo údržbu nástroja, vždy se presvedčte, že je vypnutý a vytiahnutý zo zásuvky.
- Nepoužívajte benzín, riedidlo, alkohol ani nič podobné. Mohlo by to spôsobiť zmenu farby, deformácie alebo praskliny.

Nastavenie presnosti rezu 0° a 45° (vertikálny a 45° rez)

- **Obr.23:** 1. Nastavovacia skrutka pre 0°
2. Nastavovacia skrutka pre 45°

- **Obr.24:** 1. Trojuholníkové meradlo

To nastavenie bolo uskutočnené v závode. Ak je však vypnuté, nastavte nastavovacie skrutky príslušným kľúčom pri kontrole 0° alebo 45° uhla kotúča k podložke pomocou trojuholníkového pravítka, príložného uholníka atď.

Nastavenie rovnobežnosti

► Obr.25: 1. Základňa 2. Skrutka 3. Čepeľ pily

Rovnobežnosť čepele a základne bola nastavená počas výroby. Ale ak nastavená nie je, môžete ju nastaviť nasledujúcim postupom.

Utiahnite všetky páčky a skrutky. Mierne uvoľnite skrutku, ako je to znázornené na obrázku. Pri otvorení dolného chrániča posuňte zadnú časť základne tak, aby vzdialenosť A a B boli rovnaké. Po úprave znova utiahnite skrutku. Vykonajte skúšobný rez, aby ste dosiahli rovnobežnosť.

Výmena uhlíkov

► Obr.26: 1. Medzná značka

Uhlíky pravidelne vyberajte a kontrolujte. Ak sú opotrebované až po medznú značku, vymeňte ich. Uhlíky musia byť čisté a musia voľne zapadať do svojich držiakov. Oba uhlíky treba vymieňať súčasne. Používajte výhradne rovnaké uhlíky.

Pomocou šraubováka odskrutkujte veká uhlíkov. Vymňte opotrebované uhlíky, vložte nové a zaskrutkujte veká naspäť.

► Obr.27: 1. Skrutkovač 2. Veko držiaka uhlíka

Po výmene kefiiek nasadíte a zapracujete kefy spustením nástroja bez zaťaženia na dobu približne 10 minút. Potom skontrolujte náradie v prevádzke a fungovanie elektrickej brzdy pri uvoľnení vypínača. Pokiaľ elektrická brzda nefunguje správne, nechajte náradie opraviť v servisnom stredisku spoločnosti Makita.

Kvôli zachovaniu BEZPEČNOSTI a SPOĽAHLIVOSTI výrobkov musia byť opravy a akákoľvek ďalšia údržba či nastavovanie robené autorizovanými servisnými strediskami firmy Makita a s použitím náhradných dielov Makita.

VOLITEĽNÉ PRÍSLUŠENSTVO

▲ POZOR:

- Pre váš nástroj Makita, opísaný v tomto návode, doporučujeme používať toto príslušenstvo a nástavce. Pri použití iného príslušenstva či nástavcov môže hroziť nebezpečenstvo zranenia osôb. Príslušenstvo a nástavce sa môžu používať len na účely pre ne stanovené.

Ak potrebujete bližšie informácie týkajúce sa tohoto príslušenstva, obráťte sa na vaše miestne servisné stredisko firmy Makita.

- Pílové kotúče
- Pravítko na pozdĺžne rezanie (vodiaca linka)
- Vodiaca lišta
- Adaptér vodiacej lišty
- Šesthranný francúzsky kľúč
- Kľb

POZNÁMKA:

- Niektoré položky zo zoznamu môžu byť súčasťou balenia náradia vo forme štandardného príslušenstva. Rozsah týchto položiek môže byť v každej krajine odlišný.

TECHNICKÉ ÚDAJE

Model		HS6100	HS6101	HS7100	HS7101
Průměr lištu		165 mm		190 mm	
Max. hloubka řezu	pod úhlem 0°	54,5 mm		67 mm	
	pod úhlem 45°	39,5 mm		48,5 mm	
	pod úhlem 50°	35,5 mm		43,5 mm	
Otáčky bez zatížení (min ⁻¹)		5 500			
Celková délka		297 mm		310 mm	
Hmotnost netto		3,5 kg	3,5 kg	3,7 kg	3,8 kg
Třída bezpečnosti		□/II			

- Vzhledem k neustálému výzkumu a vývoji podléhají zde uvedené specifikace změnám bez upozornění.
- Specifikace se mohou pro různé země lišit.
- Hmotnost podle EPTA-Procedure 01/2014

Účel použití

Nářadí je určeno k provádění podélných a příčných přímých řezů nebo úhlových pokosových řezů do dřeva při pevném kontaktu s obrobkem. Při použití vhodných pilových kotoučů lze řezat také hliník.

Veřejné nízkonapěťové rozvodné systémy s napětím mezi 220 V a 250 V.

Při spínání elektrických přístrojů může dojít ke kolísání napětí. Provozování tohoto zařízení za nepříznivého stavu elektrické sítě může mít negativní vliv na provoz ostatních zařízení. Je-li impedance sítě menší nebo rovna 0,32 Ohm, lze předpokládat, že nevzniknou žádné negativní účinky. Sítová zásuvka použitá pro toto zařízení musí být chráněna pojistkou nebo ochranným jističem s pomalou vypínací charakteristikou.

Hlučnost

Typická vážená hladina hluku (A) určená podle normy EN62841:

Model HS6100, HS6101

Hladina akustického tlaku (L_{pA}): 98 dB (A)
Hladina akustického výkonu (L_{WA}): 109 dB (A)
Nejistota (K): 3 dB (A)

Model HS7100, HS7101

Hladina akustického tlaku (L_{pA}): 97 dB (A)
Hladina akustického výkonu (L_{WA}): 108 dB (A)
Nejistota (K): 3 dB (A)

Používejte ochranu sluchu

Vibrace

Celková hodnota vibrací (vektorový součet tří os) určená podle normy EN62841:

Model HS6100, HS6101

Pracovní režim: řezání dřeva
Emise vibrací ($a_{h,w}$): 2,5 m/s² nebo méně
Nejistota (K): 1,5 m/s²
Pracovní režim: řezání kovu
Emise vibrací ($a_{h,m}$): 2,5 m/s²
Nejistota (K): 1,5 m/s²

Model HS7100, HS7101

Pracovní režim: řezání dřeva
Emise vibrací ($a_{h,w}$): 2,5 m/s² nebo méně
Nejistota (K): 1,5 m/s²
Pracovní režim: řezání kovu
Emise vibrací ($a_{h,m}$): 2,5 m/s²
Nejistota (K): 1,5 m/s²

POZNÁMKA: Deklarovaná hodnota emisí vibrací byla změřena v souladu se standardní testovací metodou a může být využita ke srovnávání nářadí mezi sebou.

POZNÁMKA: Deklarovanou hodnotu emisí vibrací lze rovněž využít k předběžnému posouzení vystavení jejich vlivu.

VAROVÁNÍ: Emise vibrací během skutečného používání elektrického nářadí se mohou od deklarované hodnoty emisí vibrací lišit v závislosti na způsobu použití nářadí.

VAROVÁNÍ: Na základě odhadu vystavení účinkům vibrací v aktuálních podmínkách zajistěte bezpečnostní opatření k ochraně obsluhy (vezměte v úvahu všechny části pracovního cyklu, mezi něž patří kromě doby pracovního nasazení i doba, kdy je nářadí vypnuto nebo pracuje ve volnoběhu).

Prohlášení ES o shodě

Pouze pro evropské země

Prohlášení ES o shodě je obsaženo v Příloze A tohoto návodu k obsluze.

Obecná bezpečnostní upozornění k elektrickému nářadí

VAROVÁNÍ: Přečtěte si všechny bezpečnostní výstrahy i pokyny a prohlédněte si ilustrace a specifikace dodané k tomuto elektrickému nářadí. Nedodržení všech níže uvedených pokynů může vést k úrazu elektrickým proudem, požáru či vážnému zranění.

Všechna upozornění a pokyny si uschovejte pro budoucí potřebu.

Pojem „elektrické nářadí“ v upozorněních označuje elektrické nářadí, které se zapojuje do elektrické sítě, nebo elektrické nářadí využívající akumulátory.

Výstrahy týkající se okružní pily

Postupy při řezání

1. **⚠️ NEBEZPEČÍ: Nepřibližujte ruce k oblasti řezání ani ke kotouči. Druhou ruku držte na pomocné rukojeti nebo krytu motoru.** Budete-li pilu držet oběma rukama, nehrozí riziko jejich pořezání.
 2. **Nevkládejte ruce pod obrobek.** Kryt vás nechrání před kotoučem pod obrobkem.
 3. **Nastavte hloubku řezu na tloušťku obrobku.** Pod obrobkem by měl být viditelný méně než jeden celý zub pilového kotouče.
 4. **Při řezání nikdy nedržte obrobek v rukou ani si jej nepokládejte na nohy. Uchytěte obrobek ke stabilní podložce.** Je důležité zajistit řádné upevnění dílu, aby se minimalizovalo riziko ohrožení těla, zachycení kotouče nebo ztráty kontroly.
- Obr.1
5. **Při práci v místech, kde může dojít ke kontaktu nářadí se skrytým elektrickým vedením nebo s vlastním napájecím kabelem, držte elektrické nářadí za izolované části držadel.** Kontakt s vodičem pod napětím přenese proud do nechráněných kovových částí elektrického nářadí a obsluha může utrpět úraz elektrickým proudem.
 6. **Při podélném řezání vždy používejte podélné pravítko nebo přímé vodítko.** Zvýšíte tak přesnost řezu a omezíte možnost ohnutí kotouče.
 7. **Vždy používejte kotouče správné velikosti a tvaru (diamantové versus kruhové) otvoru.** Kotouče neodpovídající upínacímu systému pily se budou pohybovat mimo osu a způsobí ztrátu kontroly nad nářadím.
 8. **Nikdy nepoužívejte poškozené nebo nesprávné podložky nebo šroub kotouče.** Podložky a šroub kotouče jsou navrženy speciálně pro tuto pilu a zajišťují optimální funkci a provozní bezpečnost.

Zpětný ráz a související výstrahy

- Zpětný ráz je náhlá reakce na skřípnutí, zaseknutí nebo nesprávné seřízení pilový kotouč, která způsobuje nekontrolované zvednutí pily z obrobku a jeho vržení směrem k obsluze.
 - Pokud se kotouč sevře nebo na pevno zasekne o uzavření spáry, dojde k zastavení kotouče a reakce motoru vrhne jednotku s velkou rychlostí směrem k obsluze.
 - Pokud se kotouč v řezu zkroučí nebo vychýlí, mohou se zuby na zadním okraji kotouče zařezat do horního povrchu dřeva, čímž dojde ke zvednutí kotouče ze spáry a rázu nářadí směrem k obsluze.
- Zpětný ráz je důsledkem špatného použití pily nebo nesprávných pracovních postupů či podmínek. Lze se mu vyhnout zavedením odpovídajících opatření, která jsou uvedena níže.

1. **Pilu držte pevně oběma rukama. Paže umístěte tak, abyste byli schopni odolat silám vznikajícím při zpětném rázu. Tělo udržujte bokem od nářadí. Nestůjte přímo za kotoučem.** Zpětný ráz by mohl způsobit vrhnutí pily zpět. Pokud pracovník dodržuje odpovídající opatření, je schopen kontrolovat síly vznikající při zpětném rázu.
2. **Pokud kotouč vážne nebo z jakéhokoli důvodu chcete přerušit řezání, uvolněte spoušť a držte pilu bez pohybu v materiálu, dokud se kotouč úplně nezastaví. Nikdy pilu nevytahujte z materiálu ani ji netahejte směrem zpět, je-li kotouč v pohybu. V opačném případě může dojít ke zpětnému rázu. Zjistěte příčinu vážnutí kotouče a proveďte odpovídající nápravná opatření.**

3. **Spouštíte-li pilu opakovaně v obrobku, umístěte pilový kotouč do středu drážky tak, aby zuby kotouče nebyly zachyceny v materiálu.** Pokud pilový kotouč uvízne, může se při opakovaném spuštění pily zvednout nebo vymrštit z obrobku.
4. **Velké desky podepřete, abyste minimalizovali riziko skřípnutí kotouče a zpětného rázu.** Velké desky mají tendenci prověšovat se svoji vlastní váhou. Podpěry je nutno umístit pod panel na obou stranách v blízkosti rysky řezu a okraje desky.

► Obr.2

► Obr.3

5. **Nepoužívejte tupé nebo poškozené kotouče.** Nenaostřené nebo nesprávně nastavené kotouče řezou úzkou drážku, čímž dochází k nadměrnému tření, vážnutí kotouče a zpětnému rázu.
6. **Před zahájením řezání musí být dotaženy a zajištěny pojistné páčky nastavení hloubky a úkosu.** Dojde-li během řezání ke změně nastavení kotouče, kotouč může vážnout a může vzniknout zpětný ráz.
7. **Při řezání do stávajících stěn či jiných nepřehledných míst dbejte zvýšené opatrnosti.** Vychýlující kotouč se může zaříznout do předmětů, jež mohou způsobit zpětný ráz.
8. **Nářadí VŽDY držte pevně oběma rukama. NIKDY neumístěte ruce, nohy nebo jakoukoli jinou část těla pod základnu nářadí nebo za pilu, zejména při příčném řezání.** Dojde-li ke zpětnému rázu, může pila snadno odskočit směrem zpět přes vaše ruce a způsobit vám tak vážné poranění.

► Obr.4

9. **Nikdy na pilu nevyvíjejte příliš velkou sílu. Pilu tlačte vpřed tak, aby kotouč řezal bez zpomalování.** Příliš silný tlak může způsobit nerovné řезы, ztrátu přesnosti a vznik zpětného rázu.

Funkce krytu

1. **Před každým použitím zkontrolujte řádné uzavření dolního krytu. S pilou nepracujte, pokud se dolní kryt nepohybuje volně a okamžitě se neuzavře. Nikdy neupínajte ani neuchycujte dolní kryt v otevřené poloze.** Pokud pilu náhodně upustíte, může se dolní kryt ohnout. Zvednete dolní kryt zatahovacího držadla a ujistíte se, zda se kryt volně pohybuje a zda se ve všech úhlech a hloubkách řezu nedotýká kotouče ani žádné jiné části nástroje.
2. **Zkontrolujte funkci pružiny dolního krytu. Pokud kryt a pružina nepracují správně, musí být před zahájením provozu opraveny.** Dolní kryt se může pohybovat pomalu z důvodu poškozených dílů, lepkavých usazenin nebo nahromadění odpadního materiálu.
3. **Dolní kryt zatahujte ručně pouze při provádění speciálních řezů, jimiž jsou například „zapichovací“ či „kombinované řезы“.** Zatahovacím držadlem zvednete dolní kryt, a jakmile kotouč vnikne do materiálu, je nutně dolní kryt uvolnit. Při všech jiných typech řezů má dolní kryt pracovat automaticky.
4. **Před položením pily na pracovní stůl nebo podlahu se vždy přesvědčte, zda dolní kryt zakrývá kotouč.** Nechráněný dobíhající kotouč způsobí pohyb nářadí směrem zpět, při kterém může dojít k pořezání. Nezapomeňte, že zastavení kotouče po uvolnění spínače trvá určitou dobu.
5. **Při kontrole dolního krytu jej otevřete rukou, uvolněte a sledujte jeho zavírání. Dále zkontrolujte, zda se zatahovací držadlo nedotýká skříňové nástroje.** Ponechání kotouče v nechráněné poloze JE VELICE NEBEZPEČNÉ a může způsobit vážné zranění.

Další bezpečnostní výstrahy

1. Při řezání vlhkého dřeva, tlakově impregnovaného dřeva nebo dřeva obsahujícího suky postupujte se zvýšenou opatrností. Nářadí vedle do řezu plynule, aby se pohyb kotouče nezpomaloval a nedocházelo k přehřívání břitů.
2. Neodstraňuje odřezaný materiál, pokud se pohybuje kotouč. Před uchopením odřezaného materiálu počkejte, až se kotouč zastaví. Kotouče po vypnutí nářadí dobíhají.
3. Neřežte hřebíky. Před zahájením řezání zkontrolujte a odstraňte ze dřeva všechny případné hřebíky.
4. Širší stranu základny pily položte na tu část obrobku, která je pevně podepřena a nikoli na část, která po provedení řezu odpadne. Pokud je obrobek krátký nebo malý, upněte jej. **NIKDY NEDRŽTE KRÁTKÉ DÍLY RUKOU!**

► Obr.5

5. Před odložením nářadí po dokončení řezu se přesvědčte, zda se kryt zavřel a zda se kotouč úplně zastavil.
 6. Nikdy se nepokoušejte řezat okružní pilou uchycenou vzhůru nohama ve svěráku. Tento postup je mimořádně nebezpečný a může způsobit vážné nehody.
- Obr.6
7. Některé materiály obsahují chemikálie, které mohou být jedovaté. Dávejte pozor, abyste nevdýchali prach nebo nedocházelo ke kontaktu s kůží. Dodržujte bezpečnostní pokyny dodavatele materiálu.
 8. Nezastavujte pilové kotouče vyvinutím postranního tlaku.
 9. Nepoužívejte žádné brusné kotouče.
 10. Používejte pouze pilové kotouče s průměrem vyznačeným na nářadí nebo specifikovaným v příručce. Použití kotouče nesprávných rozměrů může ovlivnit správné zakrytí kotouče nebo funkci krytu, což může mít za následek vážné zranění.
 11. Udržujte kotouč ostrý a čistý. Smůla a pryskyřice zatvrdnutá na kotouči pilu zpomaluje a zvyšuje potenciální nebezpečí zpětného rázu. Při čištění kotouč nejprve vyjměte z nářadí a pak jej vyčistíte prostředkem k odstraňování smůly a pryskyřice, horkou vodou nebo petrolejem. Nikdy nepoužívejte benzín.
 12. Při používání nářadí používejte protiprachovou masku a ochranu sluchu.
 13. Vždy používejte takový pilový kotouč, který je určený pro řezání materiálu, který se chystáte řezat.
 14. Používejte pouze pilové kotouče označené hodnotou otáček, jejichž hodnota se rovná či přesahuje hodnotu otáček vyznačenou na nářadí.
 15. (Pouze pro evropské země) Vždy používejte kotouče, které odpovídají normě EN847-1.

TYTO POKYNY USCHOVEJTE.

VAROVÁNÍ: NEDOVOLTE, aby pohodlnost nebo pocit znalosti výrobku (získaný na základě předchozího použití) vedl k zanedbání dodržování bezpečnostních pravidel platných pro tento výrobek. **NESPRÁVNÉ POUŽÍVÁNÍ** či nedodržení bezpečnostních pravidel uvedených v tomto návodu k obsluze může způsobit vážné zranění.

POPIS FUNKCE

▲ UPOZORNĚNÍ:

- Před nastavováním nástroje nebo kontrolou jeho funkce se vždy přesvědčte, že je vypnutý a vytažený ze zásuvky.

Nastavení hloubky řezu

► Obr.7: 1. Páčka

▲ UPOZORNĚNÍ:

- Po nastavení hloubky řezu vždy pevně dotáhněte páčku.

Uvolněte páčku na vodičku pro nastavení hloubky a přesuňte základnu nahoru nebo dolů. Na požadované hloubce řezu základnu zajistěte utažením páčky. Chcete-li dosáhnout čistších a bezpečnějších řezů, nastavte hloubku řezu tak, aby pod řezaný díl nevychýlval více než jeden zub listu. Použití správných hloubek řezu pomáhá omezovat nebezpečí ZPĚTNÝCH RÁZŮ, které mohou způsobit zranění.

Šikmé řezání

► Obr.8: 1. Přední páčka

► Obr.9: 1. Zadní křídlová matice

Povolte přední páčku a zadní křídlovou matici. Sklopením nastavte požadovaný úhel (0–50°) a pevně dotáhněte páčku i křídlovou matici.

► Obr.10: 1. Doraz

Při provádění přesných řezů pod úhlem 45° použijte zarážku pro úhel 45°. Při úkosovém řezu (0–45°) otočte zarážku zcela doprava a natočte ji vlevo pro úkosové řезы 0–50°.

Zaměřování

► Obr.11: 1. 0° poloha 2. 45° poloha 3. Ryska řezání 4. Šroub

Při přímých řezech vyrovnejte 0° polohu na přední straně základny s ryskou vyznačující řez. Při provádění úkosových 45° řezů vyrovnejte řez s 45° polohou. Poloha horního vodička je nastavitelná.

Zapínání

► Obr.12: 1. Spínač 2. Odjišťovací tlačítko

▲ UPOZORNĚNÍ:

- Před připojením nástroje do zásuvky vždy zkontrolujte, zda spoušť funguje správně a po uvolnění se vrací do vypnuté polohy.

Jako prevence náhodného stisknutí spouště je k dispozici odjišťovací tlačítko. Chcete-li nástroj uvést do chodu, zamáčkněte odjišťovací tlačítko a stiskněte spoušť. Chcete-li nástroj vypnout, uvolněte spoušť. Za spínač páčku netahujte příliš silně, aniž byste zatáhli za odjišťovací páčku. Mohlo by dojít k poškození spínače.

Rozsvícení světla

Pro Model HS6101, HS7101

⚠️ UPOZORNĚNÍ:

- Nedívejte přímo do světla nebo jeho zdroje.

► **Obr.13:** 1. Pracovní osvětlení

Světlo se rozsvítí při připojení nástroje k elektrické síti. Světlo zůstane svítit, dokud není nástroj odpojen od elektrické sítě.

POZNÁMKA:

- K očištění nečistot z čočky světla používejte suchý hadřík. Dávejte pozor, abyste čočku světla nepoškrábali, může se tím zmenšit jeho svítivost.
- Při čištění skla světla nepoužívejte benzín, ředidlo ani žádnou podobnou látku. Použití takových látek sklo poškodí.

MONTÁŽ

⚠️ UPOZORNĚNÍ:

- Než začnete na nástroji provádět jakékoli práce, vždy se předtím přesvědčte, že je vypnutý a vytažený ze zásuvky.

Demontáž a instalace pilového kotouče

⚠️ UPOZORNĚNÍ:

- Dbejte, aby byl list nainstalován tak, aby na přední straně nástroje směřovaly zuby nahoru.
- Při instalaci a demontáži listu používejte pouze klíč Makita.

► **Obr.14:** 1. Imbusový klíč 2. Povolit 3. Utáhnout 4. Zámek hřídele

Při demontáži listu stiskněte zámek hřídele tak, aby se list neotáčel, a poté pomocí klíče povolte šroub s šestihlannou hlavou proti směru hodinových ručiček. Následně demontujte šroub s šestihlannou hlavou, vnější přírubu a kotouč.

Pro nářadí s vnitřní přírubou pro pilové kotouče s průměrem otvoru 15,88 mm

► **Obr.15:** 1. Hřídel 2. Vnitřní příruba 3. Pilový list 4. Vnější příruba 5. Šroub s šestihlannou hlavou

Na hřídel nasadte vnitřní přírubu zapuštěnou částí směrem ven a pak nasadte pilový kotouč, vnější přírubu a imbusový šroub. NEZAPOMEŇTE PEVNĚ DOTÁHNOUT (VPRAVO) IMBUSOVÝ ŠROUB.

Pro nářadí s vnitřní přírubou pro jiné pilové kotouče než s otvorem o průměru 15,88 mm

► **Obr.16:** 1. Hřídel 2. Vnitřní příruba 3. Pilový list 4. Vnější příruba 5. Šroub s šestihlannou hlavou

Vnitřní příruba má na jedné straně osazení určitého průměru a na druhé straně osazení jiného průměru. Zvolte správnou stranu, jejíž osazení dokonale zapadne do otvoru pilového kotouče. Potom vnitřní přírubu nasadte na hřídel tak, aby správná strana osazení vnitřní příruby směřovala ven a nasadte pilový kotouč s vnější přírubou. NEZAPOMEŇTE PEVNĚ DOTÁHNOUT (VPRAVO) IMBUSOVÝ ŠROUB.

⚠️ UPOZORNĚNÍ:

- Zajištěte, aby osazení „a“ vnitřní příruby umístěné směrem ven dokonale zapadlo do otvoru „a“ pilového kotouče. Nasazení kotouče na chybnou stranu může způsobit nebezpečné vibrace.

► **Obr.17:** 1. Prstenec 2. Vnitřní příruba 3. Pilový list 4. Vnější příruba 5. Šroub s šestihlannou hlavou

Při výměně kotouče rovněž nezapomeňte očistit horní a dolní kryt kotouče od usazených pilin. Provedení těchto kroků však neznamená, že lze před každým použitím zanedbat kontrolu funkce dolního krytu.

Uložení imbusového klíče

► **Obr.18:** 1. Imbusový klíč

Není-li používán, uložte imbusový klíč jak je ilustrováno na obrázku. Předejete tak jeho ztrátě.

Připojení odsavače prachu

► **Obr.19:** 1. Prachová hubice 2. Šroub

► **Obr.20:** 1. Odsavač prachu 2. Hadice

K zajištění čistoty během řezání připojte k nástroji odsavač prachu Makita. Pomocí šroubů k nástroji připevněte prachovou hubici. Poté k prachové hubici připojte hadici odsavače prachu, jak je ilustrováno na obrázku.

PRÁCE

⚠️ UPOZORNĚNÍ:

- Nástroj zlehka posunujte dopředu po přímé rýse. Pokud na nástroj budete tlačit nebo jej zkroužit, dojde k přehřátí motoru a nebezpečnému zpětnému rázu s rizikem těžkého zranění.
- Vždy používejte přední držadlo i zadní rukojeť a při práci tímto způsobem nářadí pevně držte.

Uchopte pevně nástroj. Nástroj je vybaven přední rukojetí a zadním držadlem. Použijte obojí k pevnému uchopení nástroje. Budete-li pilu držet oběma rukama, nemůžete si ruce pořezat kotoučem. Ustavte základnu na řezaný díl bez toho, aby došlo ke kontaktu s kotoučem. Poté nástroj zapněte a počkejte, dokud kotouč nedosáhne plných otáček. Nyní jednoduše posunujte nástroj dopředu po povrchu dílu. Udržujte jej rovně a pomalu posunujte až do ukončení řezu.

Chcete-li dosáhnout čistých řezů, udržujte přímou dráhu řezu a rovnoměrnou rychlost posunu. Pokud řez nesleduje přesně dráhu zamýšleného řezu, nepokoušejte se o otočení nebo násilné přesunutí nástroje zpět na rysku řezu. V opačném případě by mohlo dojít k ohnutí kotouče, nebezpečnému zpětnému rázu a potenciálnímu vážnému poranění. Uvolněte spínač, počkejte na zastavení kotouče a poté nástroj vytáhněte. Ustavte nástroj na novou dráhu řezu a zahajte řez znovu.

Pokuste se vyvarovat takového umístění nástroje, při kterém je obsluha vystavena trískám a pilinám vylétujícím z pily. Předjeděte poranění použitím ochrany očí.

► **Obr.21**

Podélné pravítko (Vodicí pravítko)

► **Obr.22:** 1. Upínací páčka 2. Podélné pravítko (Vodicí pravítko)

Praktické podélné pravítko vám umožní provádět mimořádně přesné přímé řezy. Podélné pravítko jednoduše přesuňte až těsně ke straně obrobku a upínací páčkou na přední části základny jej zajistěte v požadované poloze. Pravítko rovněž umožňuje opakované řezy stejné šířky.

ÚDRŽBA

⚠ UPOZORNĚNÍ:

- Než začnete provádět kontrolu nebo údržbu nástroje, vždy se přesvědčte, že je vypnutý a vytažený ze zásuvky.
- Nikdy nepoužívejte benzín, benzen, ředidlo, alkohol či podobné prostředky. Mohlo by tak dojít ke změnám barvy, deformacím či vzniku prasklin.

Nastavení přesnosti pro 0° a 45° řez (svislý 45° řez)

► **Obr.23:** 1. Seřizovací šroub pro 0° 2. Seřizovací šroub pro 45°

► **Obr.24:** 1. Trojúhelníkové pravítko

Toto nastavení bylo provedeno při výrobě. Pokud však není správné, otáčejte imbusovým klíčem stavěcími šrouby a přitom trojúhelníkovým pravítkem či příložným úhelníkem kontrolujte 0° nebo 45° úhel kotouče vzhledem k základně.

Seřízení rovnoběžnosti

► **Obr.25:** 1. Základna 2. Šroub 3. Pilový list

Rovnoběžnost kotouče a základny byla nastavena při výrobě. Jestliže je však nesprávná, můžete ji seřídít následujícím postupem.

Ujistěte se, zda jsou dotaženy všechny páčky a šrouby. Podle obrázku pomalu povolte šroub. Při otvírání dolního krytu přesuňte zadní stranu základny tak, aby byly vzdálenosti A a B stejné. Po seřízení dotáhněte šroub. Proveďte zkušební řez a zkontrolujte správnost rovnoběžnosti.

Výměna uhlíků

► **Obr.26:** 1. Mezní značka

Uhlíky pravidelně vyjímajte a kontrolujte. Jsou-li opotřebované až po mezní značku, vyměňte je. Uhlíky musí být čisté a musí volně zapadat do svých držáků. Oba uhlíky je třeba vyměňovat současně. Používejte výhradně stejné uhlíky.

Pomocí šroubováku odšroubujte víčka uhlíků. Vyjměte opotřebované uhlíky, vložte nové a zašroubujte víčka nazpět.

► **Obr.27:** 1. Šroubovák 2. Víčko držáku uhlíku

Po výměně uhlíků zapojte nářadí do sítě a spuštěním asi na 10 minut bez zatížení nechte uhlíky zaběhnout. Potom zkontrolujte zařízení za chodu a po uvolnění spouště ověřte funkci elektromagnetické brzdy. Jestliže elektromagnetická brzda nepracuje správně, nechte nářadí opravit v autorizovaném servisním středisku Makita.

Kvůli zachování BEZPEČNOSTI a SPOLEHLIVOSTI výrobku musí být opravy a veškerá další údržba či seřizování prováděny autorizovanými servisními středisky firmy Makita a s použitím náhradních dílů Makita.

VOLITELNÉ PŘÍSLUŠENSTVÍ

⚠ UPOZORNĚNÍ:

- Pro váš nástroj Makita, popsany v tomto návodu, doporučujeme používat toto příslušenství a nástavce. Při použití jiného příslušenství či nástavců může hrozit nebezpečí zranění osob. Příslušenství a nástavce lze používat pouze pro jejich stanovené účely.

Potřebujete-li bližší informace ohledně tohoto příslušenství, obraťte se na vaše místní servisní středisko firmy Makita.

- Pilové kotouče
- Podélné pravítko (Vodicí pravítko)
- Vodicí kolejnice
- Adaptér vodicí kolejnice
- Imbusový klíč
- Spojka

POZNÁMKA:

- Některé položky seznamu mohou být k zařazení přibaleny jako standardní příslušenství. Přibalené příslušenství se může v různých zemích lišit.

Makita Europe N.V. Jan-Baptist Vinkstraat 2,
3070 Kortenberg, Belgium

Makita Corporation 3-11-8, Sumiyoshi-cho,
Anjo, Aichi 446-8502 Japan

www.makita.com

885084B970
EN, UK, PL, RO,
DE, HU, SK, CS
20170530