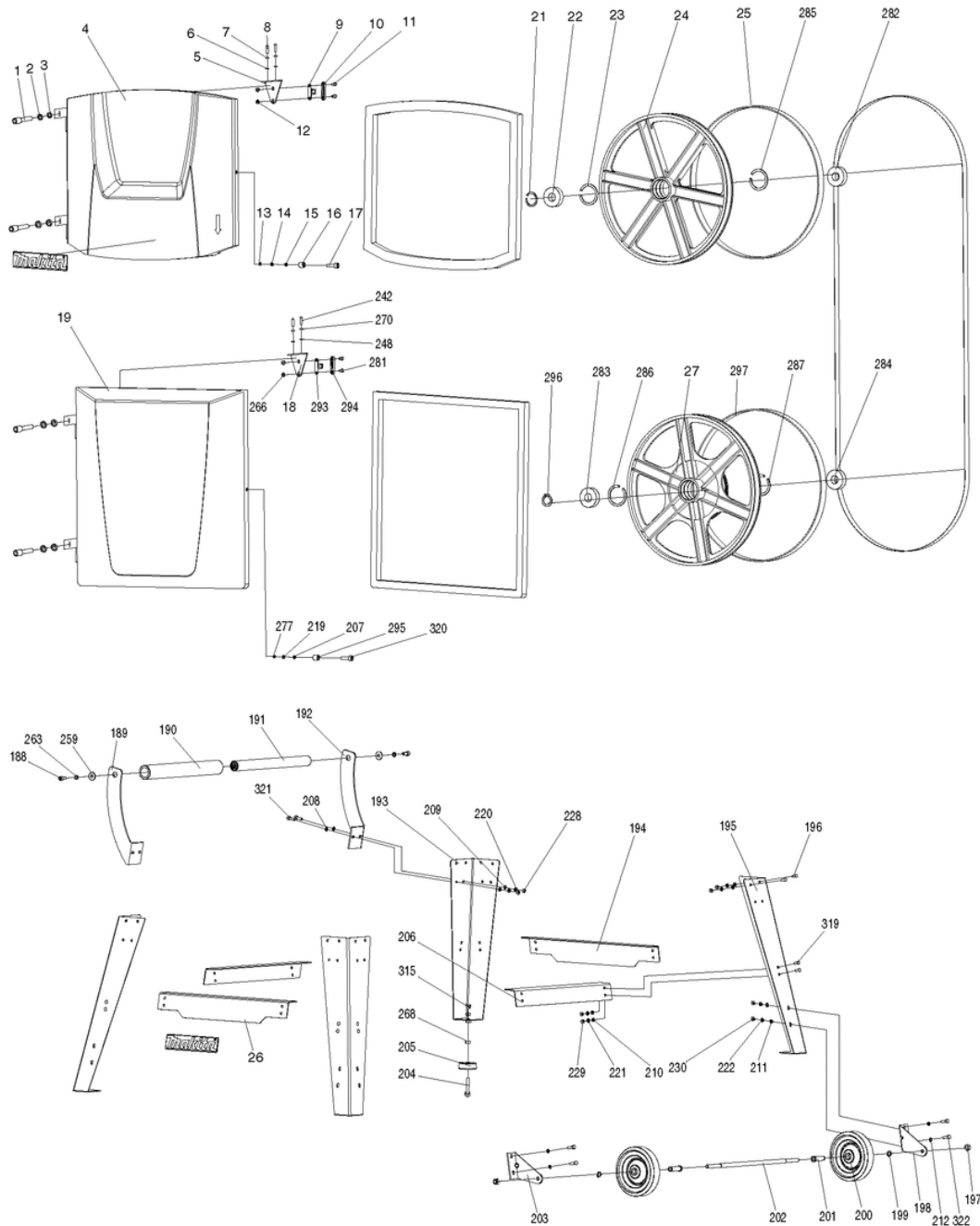




Makita Service Information / Model: LB1200F





Makita Werkzeug Ges.m.b.H.

Airportstr. 4, 2401 Fischamend

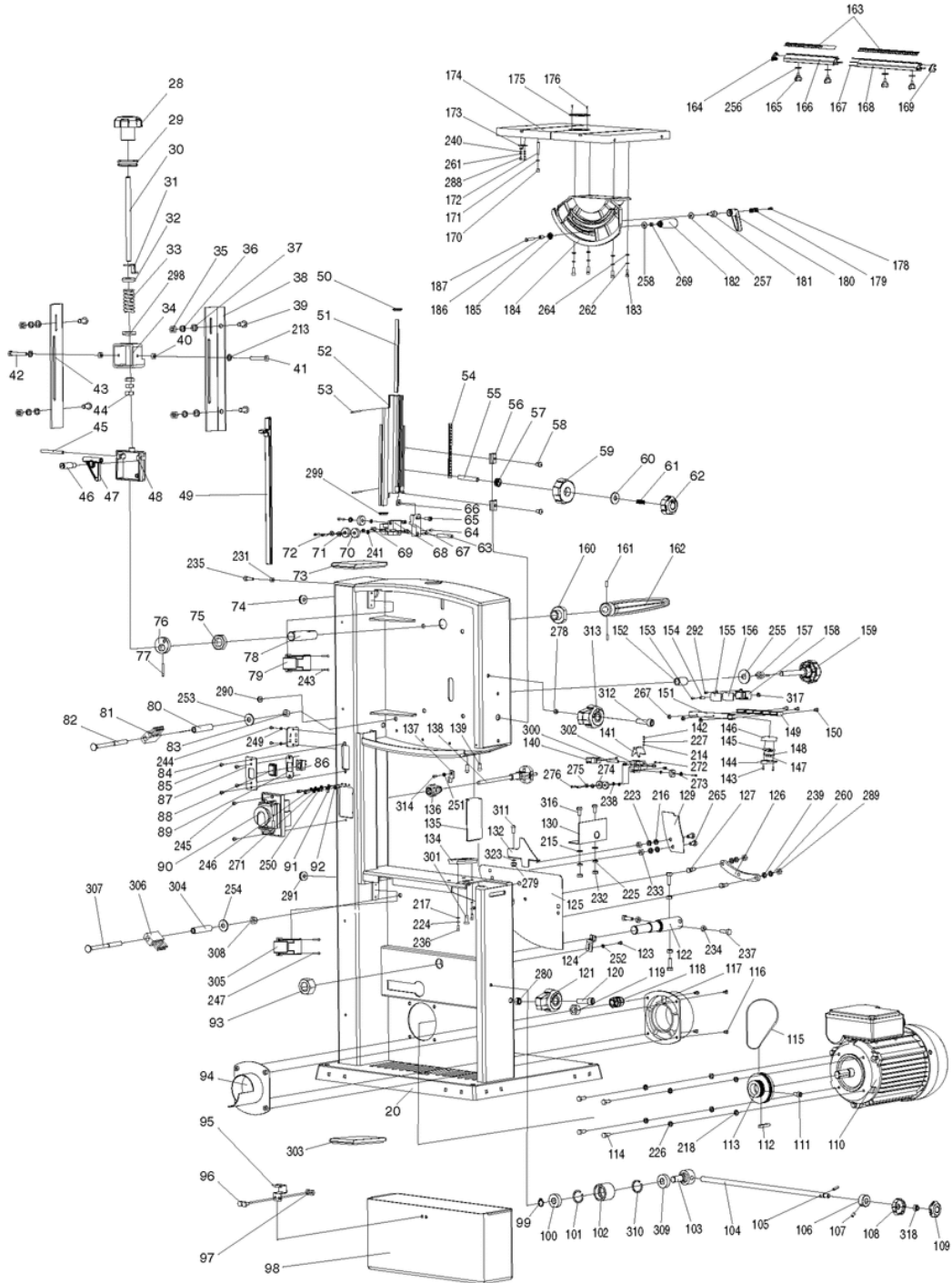
Tel: 02232 / 777 00

Fax: 02232 / 777 00 - 40

Mail: verkauf@makita.at

Web: www.makita.at

Makita Service Information / Model: LB1200F





Makita Werkzeug Ges.m.b.H.

Airportstr. 4, 2401 Fischamend

Tel: 02232 / 777 00

Fax: 02232 / 777 00 - 40

Mail: verkauf@makita.at

Web: www.makita.at

Makita Service Information / Model: LB1200F

POS	Bestell-Nr.	Artikelbeschreibung	Stk.	Stk.Preis
1	JM21000018	HEX. SOCKET HEAD SCREW M5x12	4	N/A
2	JM21000019	SPRING WASHER 5	4	N/A
3	JM21000020	FLAT WASHER 5	4	N/A
4	JM21000021	COVER Up Complete	1	N/A
5	JM21000025	Micro Switch Fix Panel A	1	N/A
6	JM21000026	FLAT WASHER 4	2	N/A
7	JM21000027	SPRING WASHER 4	2	N/A
8	JM21000028	Cross Head Sunk Screw M4x10	2	N/A
9	JM21000029	Micro switch press paw	1	N/A
10	JM21000030	Bracket	1	N/A
11	JM21000031	Cross Head Sunk Screw M4x12	2	N/A
12	JM21000032	Hex Nut M4	2	N/A
13	JM21000033	Locking Nut M6	1	N/A
14	JM21000034	Spring Washer 6	1	N/A
15	JM21000035	FLAT WASHER 6	1	N/A
16	JM21000036	Sleeve	1	N/A
17	JM21000037	HEX. SOCKET HEAD SCREW M6x20	1	N/A
18	JM21000038	Micro Switch Fix Panel B	1	N/A
19	JM21000039	Low Cover Complete	1	N/A
20	JM21000041	Machine Body complete	1	N/A
21	JM21000043	Shaft Retaining Ring 17	1	N/A
22	JM21000044	BALL BEARING 6203	1	N/A
23	JM21000045	Hole Collar 40	1	N/A
24	JM21000046	WHEEL Up	1	N/A
25	JM21000047	TIRE	1	N/A
26	JM21000048	BEAM A Complete	2	N/A
27	JM21000050	Low saw Wheel	1	N/A
28	JM21000051	KNOB Tension	1	N/A
29	JM21000052	SEALING RING	1	N/A
30	JM21000053	Tension Thread Rod	1	N/A
31	JM21000054	Tension Pointer	1	N/A
32	JM21000055	Spring base	1	N/A
33	JM21000056	COMPRESSION SPRING	1	N/A
34	JM21000057	Fix Bracket	1	N/A
35	JM21000058	Hex Nut M8	4	N/A
36	JM21000059	Spring Washer 8	4	N/A
37	JM21000060	FLAT WASHER 8	4	N/A
38	JM21000061	Fix Side Plate A	1	N/A
39	JM21000062	HEX. SOCKET HEAD BOLT M8x16	4	N/A
40	JM21000063	HEX NUT M6	2	N/A



Makita Werkzeug Ges.m.b.H.

Airportstr. 4, 2401 Fischamend

Tel: 02232 / 777 00

Fax: 02232 / 777 00 - 40

Mail: verkauf@makita.at

Web: www.makita.at

Makita Service Information / Model: LB1200F

POS	Bestell-Nr.	Artikelbeschreibung	Stk.	Stk.Preis
41	JM21000064	HEX BOLT M6x35	1	N/A
42	JM21000065	HEX BOLT M6x25	1	N/A
43	JM21000066	Fix Side Plate B	1	N/A
44	JM21000067	Thin NUT M10	3	N/A
45	JM21000068	PIN D	1	N/A
46	JM21000069	Up Wheel Shaft	1	N/A
47	JM21000070	Moving Bracket	1	N/A
48	JM21000071	Fix Bracket	1	N/A
49	JM21000072	Dust Seal Bar	1	N/A
50	JM21000073	Lifting Bracket Cover	1	N/A
51	JM21000074	RACK	1	N/A
51.2	JM21000237	ZAHNSTANGE	1	N/A
52	JM21000075	Lifting Bracket	1	N/A
52.2	JM21000238	LIFTING BRACKET	1	N/A
53	JM21000076	ELASTIC PIN 4	2	N/A
54	JM21000077	Lifting Label	1	N/A
55	JM21000078	ADJUST SCREW	1	N/A
56	JM21000079	SLIDER B	2	N/A
57	JM21000080	KOLESO OZUBENÉ B	1	N/A
58	JM21000081	H.S.Button Head Screw M6x12	2	N/A
59	JM21000082	Lifting Knob	1	N/A
59.2	JM21000239	LIFTING KNOB	1	N/A
60	JM21000083	Big Washer 8	1	N/A
61	JM21000084	Spring	1	N/A
62	JM21000085	Locking Nut	1	N/A
63	JM21000086	Column Pin A	1	N/A
64	JM21000087	HEX. SOCKET SET SCREW M6x10	3	N/A
65	JM21000088	BOLT C	1	N/A
66	JM21000089	Locking Bracket	1	N/A
67	JM21000090	Fix Bracket B	1	N/A
68	JM21000091	Fix Bracket A	1	N/A
69	JM21000092	Column Pin B	3	N/A
70	JM21000093	BEARING 6200	3	N/A
71	JM21000094	SLEEVE B	3	N/A
72	JM21000095	H.S.Bolt M5x20	3	N/A
73	JM21000096	COVER	1	N/A
74	JM21000097	Cord Protection Tube	1	N/A
75	JM21000098	Hex. Thin Nut M20	1	N/A
76	JM21000099	ECCENTRIC Wheel 32	1	N/A
77	JM21000100	ELASTIC PIN 4x32	1	N/A



Makita Werkzeug Ges.m.b.H.

Airportstr. 4, 2401 Fischamend

Tel: 02232 / 777 00

Fax: 02232 / 777 00 - 40

Mail: verkauf@makita.at

Web: www.makita.at

Makita Service Information / Model: LB1200F

POS	Bestell-Nr.	Artikelbeschreibung	Stk.	Stk.Preis
78	JM21000101	INSERT B	1	N/A
79	JM21000102	Micro Switch	1	N/A
80	JM21000103	SLEEVE A	1	N/A
81	JM21000104	BRUSH	1	N/A
82	JM21000105	Brush Screw	1	N/A
83	JM21000106	LOCK NUT M8	1	N/A
84	JM21000107	Accessory Storage Plate	1	N/A
85	JM21000108	HEX. SOCKET BUTTON BOLT M4x10	4	N/A
86	JM21000109	SWITCH HY17	1	N/A
87	JM21000110	Led Switch Fix plate	1	N/A
88	JM21000111	Switch Shield HY17	1	N/A
89	JM21000112	LED SWITCH PANEL	1	N/A
90	JM21000003	SWITCH	1	N/A
91	JM21000221	EARTH TERMINAL 4	2	N/A
92	JM21000113	Star Washer 4	2	N/A
93	JM21000114	Hex Nut M20	1	N/A
94	JM21000115	DUST COLLECTOR Port B	1	N/A
95	JM21000116	Plate Spring	1	N/A
96	JM21000117	HEX. BOLT M5x12	2	N/A
97	JM21000118	Hex. Nut M5	2	N/A
98	JM21000119	DUST BOX	1	N/A
99	JM21000120	Shaft Retaining Ring 11	1	N/A
100	JM21000121	BALL BEARING 6001	1	N/A
101	JM21000122	RETAINING RING 28	1	N/A
102	JM21000123	Tensioning Screw Bearing	1	N/A
103	JM21000124	WHEEL SHAFT	1	N/A
104	JM21000125	Thread Rod	1	N/A
105	JM21000126	ELASTIC PIN 4x16	1	N/A
106	JM21000127	TORQUE LIMITER	1	N/A
107	JM21000128	HEX. SOCKET SET SCREW M5x8	1	N/A
108	JM21000129	Wheel Tension Knob A	1	N/A
109	JM21000130	Wheel Tension Knob B	1	N/A
110	JM21000001	ENGINE	1	N/A
111	JM21000131	H.S.Bolt M6x12	1	N/A
112	JM21000132	Key 5x5x20	1	N/A
113	JM21000133	Motor Pulley	1	N/A
114	JM21000134	HEX. BOLT M6x12	4	N/A
115	JM21000135	V BELT	1	N/A
116	JM21000136	TAPPING SCREW 4.2x14	4	N/A
117	JM21000137	JOINT	1	N/A



Makita Service Information / Model: LB1200F

POS	Bestell-Nr.	Artikelbeschreibung	Stk.	Stk.Preis
118	JM21000138	Cord Clamp Paw	1	N/A
119	JM21000139	Cord Clamp nut M10	1	N/A
120	JM21000140	H.S.Head Screw M6x25	1	N/A
120.2	JM21000234	H.S. HEAD SCREW M6X35	1	N/A
121	JM21000141	Latch Knob	1	N/A
121.2	JM21000231	LATCH KNOB	1	N/A
122	JM21000142	Driving wheel shaft	1	N/A
123	JM21000143	Cross Head Sunk Screw M4x8	1	N/A
124	JM21000144	MITER POINTER	1	N/A
125	JM21000145	SPACER PLATE	1	N/A
126	JM21000146	SLIDER	1	N/A
127	JM21000147	BOLT B	2	N/A
129	JM21000148	Dust Protector Plate	1	N/A
130	JM21000149	Protector Plate	1	N/A
132	JM21000150	Low Cover B	1	N/A
134	JM21000151	Fix Bracket Slider	1	N/A
135	JM21000152	Protector Plate A	1	N/A
136	JM21000153	STRAIN & RELIEF	1	N/A
137	JM21000154	Lifting Pointer	1	N/A
138	JM21000010	Cord and Plug	1	N/A
139	JM21000155	TAPPING SCREW 4.2x8	2	N/A
140	JM21000156	Fix Bracket C	1	N/A
141	JM21000157	Low Cover A	1	N/A
142	JM21000158	Cross Head Sunk Screw M6x10	1	N/A
143	JM21000159	TAPPING SCREW ST3.2x8	2	N/A
144	JM21000160	LED Lamp Cover B	1	N/A
145	JM21000161	Led Reflect Cover	1	N/A
146	JM21000162	Led Lamp Cover A	1	N/A
146.2	JM21000229	LED LICHT EINHEIT LB1200F	1	N/A
147	JM21000163	Led Lamp Cover C	1	N/A
148	JM21000164	SELF TAPPING SCREW ST2.2x8	2	N/A
149	JM21000165	LED CORD PROTECTOR A	1	N/A
150	JM21000166	H.S.Bolt M4x20	3	N/A
151	JM21000167	LED CORD PROTECTOR B	1	N/A
152	JM21000168	SLEEVE	1	N/A
153	JM21000169	Cross Head Sunk Screw M4x35	1	N/A
154	JM21000170	SLEEVE 8	1	N/A
155	JM21000171	Transformer Low Cover	1	N/A
156	JM21000172	TRANSFORMER	1	N/A
157	JM21000173	WING NUT M8	1	N/A



Makita Werkzeug Ges.m.b.H.

Airportstr. 4, 2401 Fischamend

Tel: 02232 / 777 00

Fax: 02232 / 777 00 - 40

Mail: verkauf@makita.at

Web: www.makita.at

Makita Service Information / Model: LB1200F

POS	Bestell-Nr.	Artikelbeschreibung	Stk.	Stk.Preis
158	JM21000174	Transformer Up Cover	1	N/A
159	JM21000175	Tracking Knob	1	N/A
160	JM21000176	SLEEVE C	1	N/A
161	JM21000177	H.S. Screw Set M6x10	2	N/A
162	JM21000178	Operation Handle A	1	N/A
163	JM21000179	SCALE LABEL	1	N/A
164	JM21000180	Front Rail Side Cover B	1	N/A
165	JM21000181	Wing Knob C	4	N/A
166	JM21000182	Front Rail A	1	N/A
167	JM21000183	Connection Pin	3	N/A
168	JM21000184	Front Rail B	1	N/A
169	JM21000185	Front Rail Side Cover A	1	N/A
170	JM21000186	Cushion Cap	1	N/A
171	JM21000187	RUBBER RING Pad	1	N/A
172	JM21000188	H.S. Screw M8x50	1	N/A
173	JM21000189	Limited Plate	1	N/A
174	JM21000190	WORKING TABLE	1	N/A
175	JM21000191	Blade Protection Plate	1	N/A
176	JM21000192	Cross Head Sunk Screw M3x10	2	N/A
178	JM21000193	HEX.SOCKET HEAD SCREW M6X30	1	N/A
179	JM21000194	COMPRESSION SPRING	1	N/A
180	JM21000195	Operation Handle B Assy	1	N/A
181	JM21000196	Locking Handle Bolt	1	N/A
182	JM21000197	LOCKING HANDLE A	1	N/A
183	JM21000198	H.S.Bolt M8x20	4	N/A
184	JM21000199	ANGLE RULE ASS'Y	1	N/A
185	JM21000200	GEAR WHEEL A	1	N/A
186	JM21000201	Position sleeve	1	N/A
187	JM21000202	PIN	1	N/A
188	JM21000203	H.S.Bolt M8	2	N/A
189	JM21000204	HANDLE SUPPORT B	1	N/A
190	JM21000205	HOSE	1	N/A
191	JM21000206	Steel Pipe Assembly	1	N/A
192	JM21000207	HANDLE SUPPORT A	1	N/A
193	JM21000208	LEG A	1	N/A
194	JM21000049	BEAM A	2	N/A
195	JM21000209	LEG B	3	N/A
196	JM21000210	SQUARE NECK BOLT M6x16	16	N/A
197	JM21000211	LOCK NUT M10	2	N/A
198	JM21000212	Support bracket B	1	N/A



Makita Werkzeug Ges.m.b.H.

Airportstr. 4, 2401 Fischamend

Tel: 02232 / 777 00

Fax: 02232 / 777 00 - 40

Mail: verkauf@makita.at

Web: www.makita.at

Makita Service Information / Model: LB1200F

POS	Bestell-Nr.	Artikelbeschreibung	Stk.	Stk.Preis
199	JM21000213	Shaft Retaining Ring 13	2	N/A
200	JM21000214	Wheel	2	N/A
201	JM21000215	Roller Bush	2	N/A
202	JM21000216	WHEEL SHAFT	1	N/A
203	JM21000217	Wheel Support A	1	N/A
204	JM21000218	Hex Bolt M8x50	1	N/A
205	JM21000219	Leg Pad	1	N/A
206	JM21000220	BEAM B	2	N/A
207	JM21000035	FLAT WASHER 6	1	N/A
208	JM21000035	FLAT WASHER 6	2	N/A
209	JM21000035	FLAT WASHER 6	4	N/A
210	JM21000035	FLAT WASHER 6	32	N/A
211	JM21000035	FLAT WASHER 6	4	N/A
212	JM21000035	FLAT WASHER 6	4	N/A
213	JM21000035	FLAT WASHER 6	2	N/A
214	JM21000035	FLAT WASHER 6	1	N/A
215	JM21000035	FLAT WASHER 6	2	N/A
216	JM21000035	FLAT WASHER 6	2	N/A
217	JM21000035	FLAT WASHER 6	2	N/A
218	JM21000035	FLAT WASHER 6	4	N/A
219	JM21000034	Spring Washer 6	1	N/A
220	JM21000034	Spring Washer 6	4	N/A
221	JM21000034	Spring Washer 6	32	N/A
222	JM21000034	Spring Washer 6	4	N/A
223	JM21000034	Spring Washer 6	2	N/A
224	JM21000034	Spring Washer 6	2	N/A
225	JM21000034	Spring Washer 6	4	N/A
226	JM21000034	Spring Washer 6	4	N/A
227	JM21000034	Spring Washer 6	1	N/A
228	JM21000063	HEX NUT M6	4	N/A
229	JM21000063	HEX NUT M6	32	N/A
230	JM21000063	HEX NUT M6	4	N/A
231	JM21000063	HEX NUT M6	1	N/A
232	JM21000063	HEX NUT M6	2	N/A
233	JM21000063	HEX NUT M6	2	N/A
234	JM21000063	HEX NUT M6	4	N/A
235	JM21000037	HEX. SOCKET HEAD SCREW M6x20	1	N/A
236	JM21000037	HEX. SOCKET HEAD SCREW M6x20	2	N/A
237	JM21000037	HEX. SOCKET HEAD SCREW M6x20	4	N/A
238	JM21000020	FLAT WASHER 5	3	N/A



Makita Werkzeug Ges.m.b.H.

Airportstr. 4, 2401 Fischamend

Tel: 02232 / 777 00

Fax: 02232 / 777 00 - 40

Mail: verkauf@makita.at

Web: www.makita.at

Makita Service Information / Model: LB1200F

POS	Bestell-Nr.	Artikelbeschreibung	Stk.	Stk.Preis
239	JM21000020	FLAT WASHER 5	2	N/A
240	JM21000020	FLAT WASHER 5	2	N/A
241	JM21000020	FLAT WASHER 5	3	N/A
242	JM21000028	Cross Head Sunk Screw M4x10	2	N/A
243	JM21000028	Cross Head Sunk Screw M4x10	2	N/A
244	JM21000028	Cross Head Sunk Screw M4x10	2	N/A
245	JM21000028	Cross Head Sunk Screw M4x10	2	N/A
246	JM21000028	Cross Head Sunk Screw M4x10	2	N/A
247	JM21000028	Cross Head Sunk Screw M4x10	2	N/A
248	JM21000026	FLAT WASHER 4	2	N/A
249	JM21000026	FLAT WASHER 4	2	N/A
250	JM21000026	FLAT WASHER 4	2	N/A
251	JM21000026	FLAT WASHER 4	1	N/A
252	JM21000026	FLAT WASHER 4	1	N/A
253	JM21000083	Big Washer 8	1	N/A
254	JM21000083	Big Washer 8	1	N/A
255	JM21000083	Big Washer 8	1	N/A
256	JM21000083	Big Washer 8	1	N/A
257	JM21000083	Big Washer 8	1	N/A
258	JM21000083	Big Washer 8	1	N/A
259	JM21000083	Big Washer 8	2	N/A
260	JM21000019	SPRING WASHER 5	2	N/A
261	JM21000019	SPRING WASHER 5	2	N/A
262	JM21000059	Spring Washer 8	4	N/A
263	JM21000059	Spring Washer 8	2	N/A
264	JM21000060	FLAT WASHER 8	4	N/A
265	JM21000134	HEX. BOLT M6x12	2	N/A
266	JM21000032	Hex Nut M4	2	N/A
267	JM21000032	Hex Nut M4	3	N/A
268	JM21000058	Hex Nut M8	2	N/A
269	JM21000058	Hex Nut M8	1	N/A
270	JM21000027	SPRING WASHER 4	2	N/A
271	JM21000027	SPRING WASHER 4	2	N/A
272	JM21000087	HEX. SOCKET SET SCREW M6x10	3	N/A
273	JM21000092	Column Pin B	3	N/A
274	JM21000093	BEARING 6200	3	N/A
275	JM21000094	SLEEVE B	3	N/A
276	JM21000095	H.S.Bolt M5x20	3	N/A
277	JM21000033	Locking Nut M6	1	N/A
278	JM21000033	Locking Nut M6	1	N/A



Makita Werkzeug Ges.m.b.H.

Airportstr. 4, 2401 Fischamend

Tel: 02232 / 777 00

Fax: 02232 / 777 00 - 40

Mail: verkauf@makita.at

Web: www.makita.at

Makita Service Information / Model: LB1200F

POS	Bestell-Nr.	Artikelbeschreibung	Stk.	Stk.Preis
278.2	JM21000033	Locking Nut M6	2	N/A
279	JM21000033	Locking Nut M6	1	N/A
280	JM21000033	Locking Nut M6	1	N/A
280.2	JM21000033	Locking Nut M6	2	N/A
281	JM21000031	Cross Head Sunk Screw M4x12	2	N/A
282	JM21000044	BALL BEARING 6203	1	N/A
283	JM21000044	BALL BEARING 6203	1	N/A
284	JM21000044	BALL BEARING 6203	1	N/A
285	JM21000045	Hole Collar 40	1	N/A
286	JM21000045	Hole Collar 40	1	N/A
287	JM21000045	Hole Collar 40	1	N/A
288	JM21000117	HEX. BOLT M5x12	2	N/A
289	JM21000118	Hex. Nut M5	2	N/A
290	JM21000097	Cord Protection Tube	1	N/A
291	JM21000097	Cord Protection Tube	1	N/A
292	JM21000159	TAPPING SCREW ST3.2x8	1	N/A
293	JM21000029	Micro switch press paw	1	N/A
294	JM21000030	Bracket	1	N/A
295	JM21000036	Sleeve	1	N/A
296	JM21000043	Shaft Retaining Ring 17	1	N/A
297	JM21000047	TIRE	1	N/A
298	JM21000055	Spring base	1	N/A
299	JM21000073	Lifting Bracket Cover	1	N/A
300	JM21000086	Column Pin A	1	N/A
301	JM21000088	BOLT C	1	N/A
302	JM21000091	Fix Bracket A	1	N/A
303	JM21000096	COVER	1	N/A
304	JM21000103	SLEEVE A	1	N/A
305	JM21000102	Micro Switch	1	N/A
306	JM21000104	BRUSH	1	N/A
307	JM21000105	Brush Screw	1	N/A
308	JM21000106	LOCK NUT M8	1	N/A
309	JM21000121	BALL BEARING 6001	1	N/A
310	JM21000122	RETAINING RING 28	1	N/A
311	JM21000131	H.S.Bolt M6x12	1	N/A
312	JM21000140	H.S.Head Screw M6x25	1	N/A
312.2	JM21000234	H.S. HEAD SCREW M6X35	1	N/A
313	JM21000141	Latch Knob	1	N/A
313.2	JM21000231	LATCH KNOB	1	N/A
314	JM21000143	Cross Head Sunk Screw M4x8	1	N/A



Makita Werkzeug Ges.m.b.H.

Airportstr. 4, 2401 Fischamend

Tel: 02232 / 777 00

Fax: 02232 / 777 00 - 40

Mail: verkauf@makita.at

Web: www.makita.at

Makita Service Information / Model: LB1200F

POS	Bestell-Nr.	Artikelbeschreibung	Stk.	Stk.Preis
315	JM21000173	WING NUT M8	1	N/A
316	JM21000134	HEX. BOLT M6x12	2	N/A
317	JM21000032	Hex Nut M4	1	N/A
318	JM21000106	LOCK NUT M8	1	N/A
319	JM21000210	SQUARE NECK BOLT M6x16	16	N/A
320	JM21000037	HEX. SOCKET HEAD SCREW M6x20	1	N/A
321	JM21000037	HEX. SOCKET HEAD SCREW M6x20	4	N/A
322	JM21000037	HEX. SOCKET HEAD SCREW M6x20	4	N/A
323	JM21000035	FLAT WASHER 6	1	N/A
324	JM21000240	HEX SOCKET HEAD BOLT M4X8	2	N/A
325	JM21000026	FLAT WASHER 4	2	N/A
326	JM21000027	SPRING WASHER 4	2	N/A
327	JM21000241	SPONGE	2	N/A
328	JM21010003	LIFTING BRACKET ASSEMBLY	1	N/A
328		*** INC. 51,324,325,326,329		N/A
329	JM21010002	LIFTING BRACKET COMPLETE	1	N/A
329		*** INC. 52,54,327		N/A
330	JM21000232	LOCK KNOB	1	N/A
331	JM21000233	COMPRESSION SPRING	1	N/A
332	JM21000235	ELASTIC PIN 4X20	1	N/A
333	JM21000035	FLAT WASHER 6	1	N/A
334	JM21000236	FLAT WASHER 6	1	N/A
335	JM21000232	LOCK KNOB	1	N/A
336	JM21000233	COMPRESSION SPRING	1	N/A
337	JM21000235	ELASTIC PIN 4X20	1	N/A
338	JM21000035	FLAT WASHER 6	1	N/A
339	JM21000236	FLAT WASHER 6	1	N/A
1001	JM21080230	RIP FENCE ASSY	1	N/A
1002	JM21080260	MITER GUAGE ASSY	1	N/A
1003	JM21080290	PUSH STICK	1	N/A
1004	JM21080291	HEX WRENCH 4	1	N/A
1005	JM21080292	HEX WRENCH 5	1	N/A
1006	JM21080293	DUST COLLECTOR PORT A	1	N/A
1007	JM21080294	SAW BLADE 6	1	N/A
1008	JM21080295	SAW BLADE 13	1	N/A
1009	JM21080296	SAW BLADE 16	1	N/A
1010	JM21080297	SAW BLADE 16	1	N/A