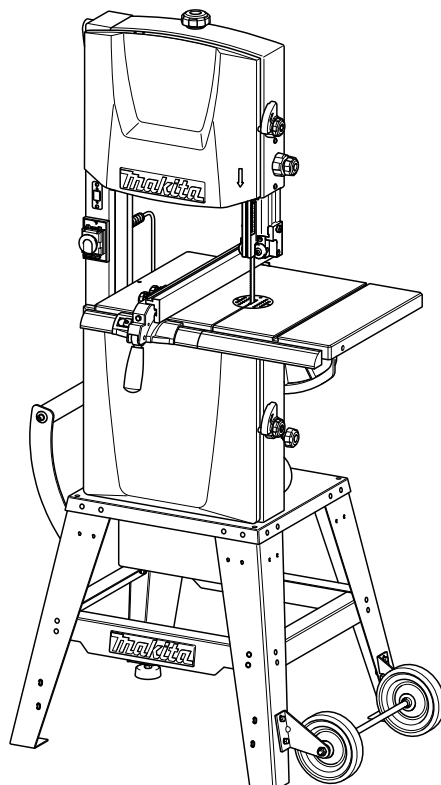
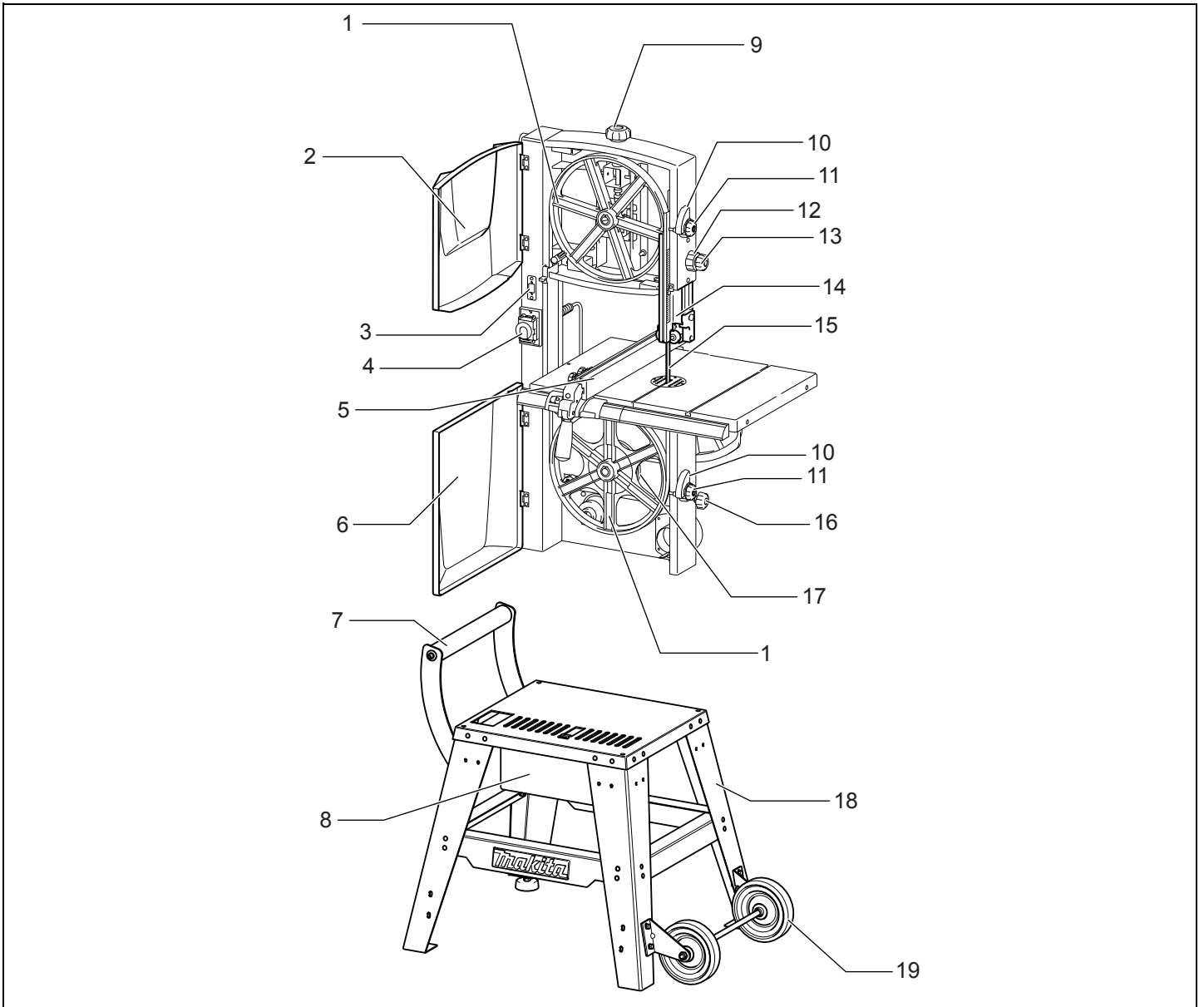




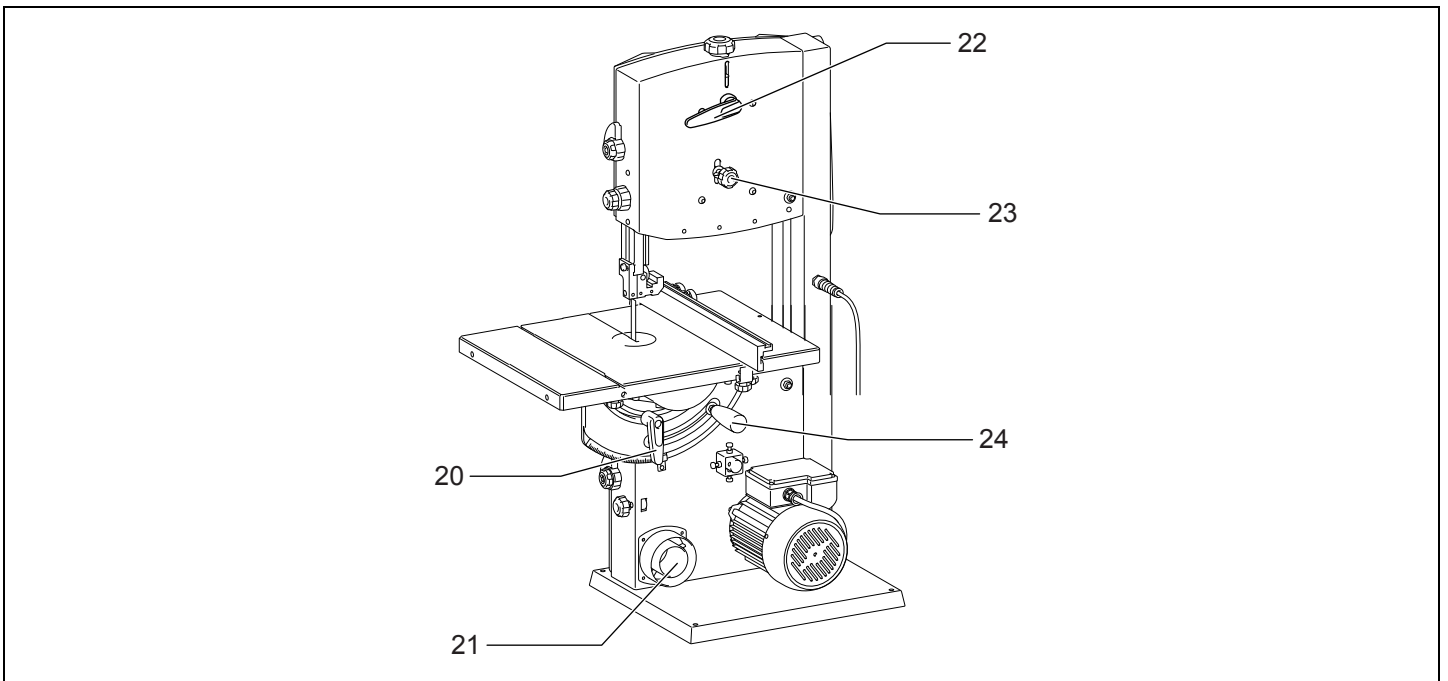
GB	Band Saw	Instruction manual
D	Bandsäge	Betriebsanleitung
PL	Piła taśmowa	Instrukcja obsługi
HU	Szalagfűrész	Használati utasítás
RO	Ferăstrău-bandă	Manual de instrucțiuni
SK	Pásová píla	Návod na obsluhu
CZ	Pásová píla	Návod k obsluze
UA	Стрічкова пила	Інструкції з експлуатації

LB1200F

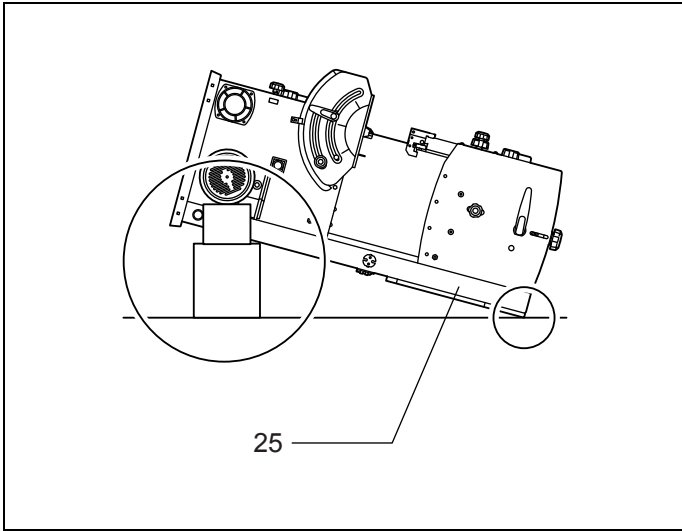




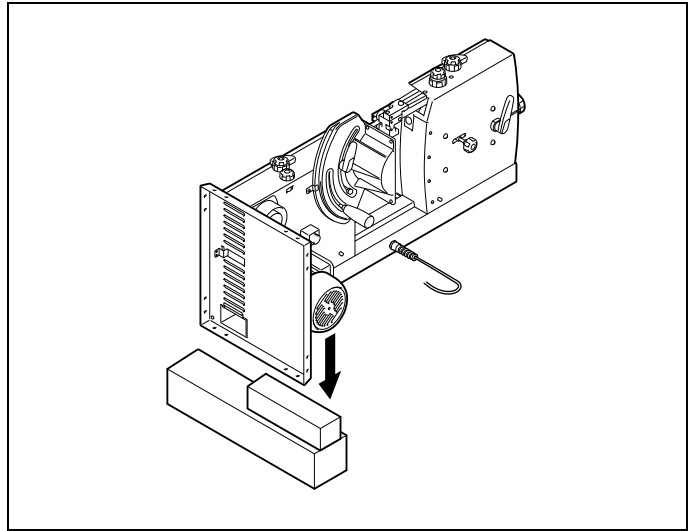
1



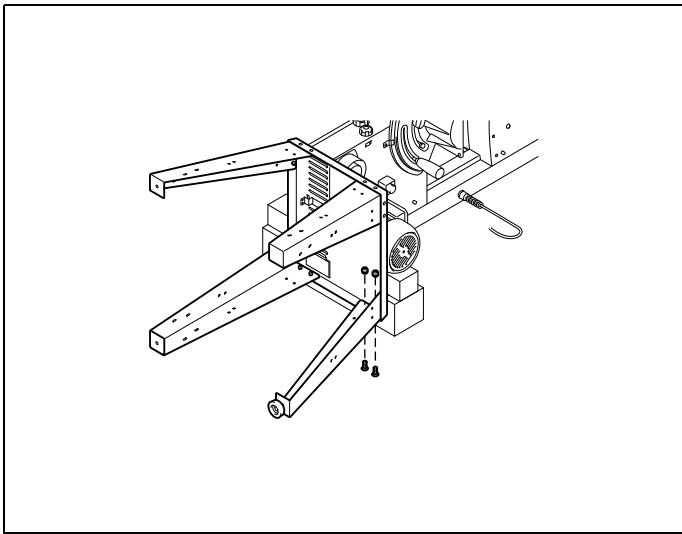
2



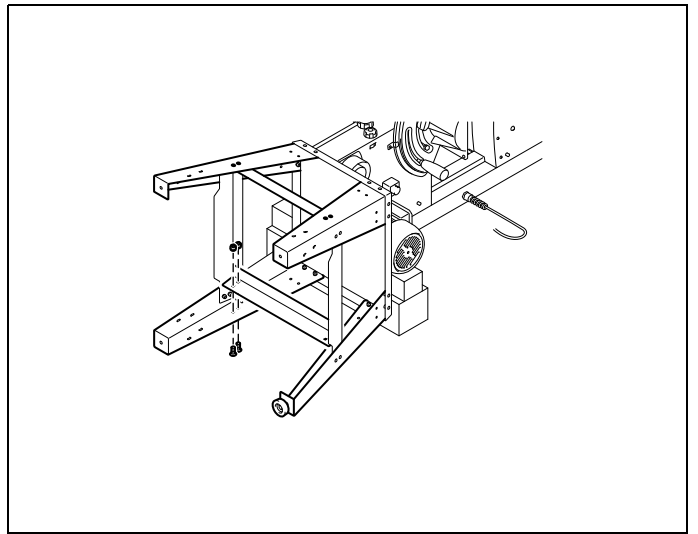
3



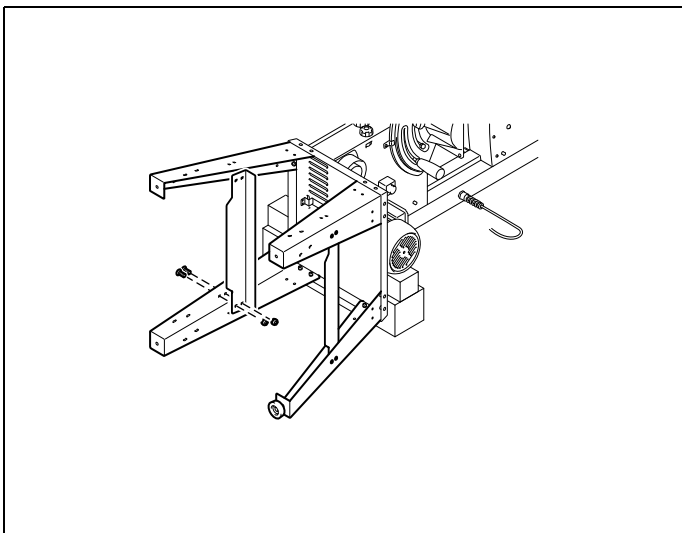
4



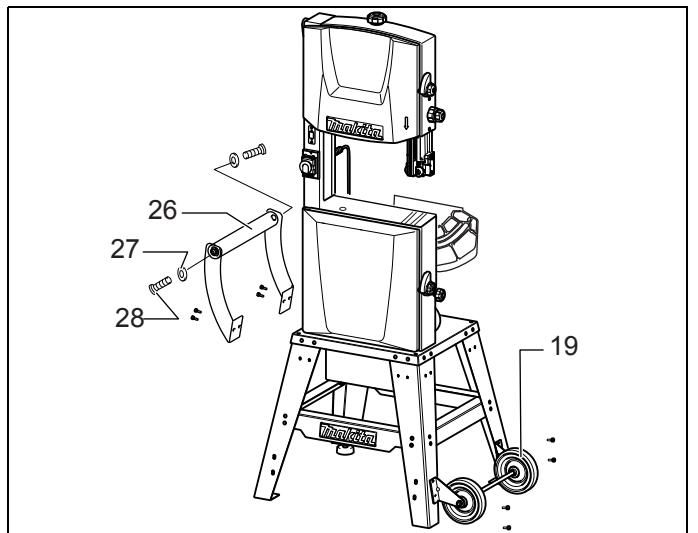
5



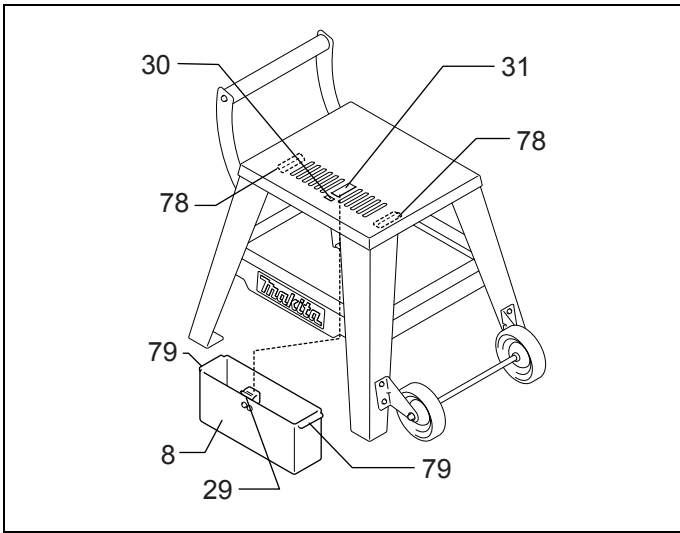
6



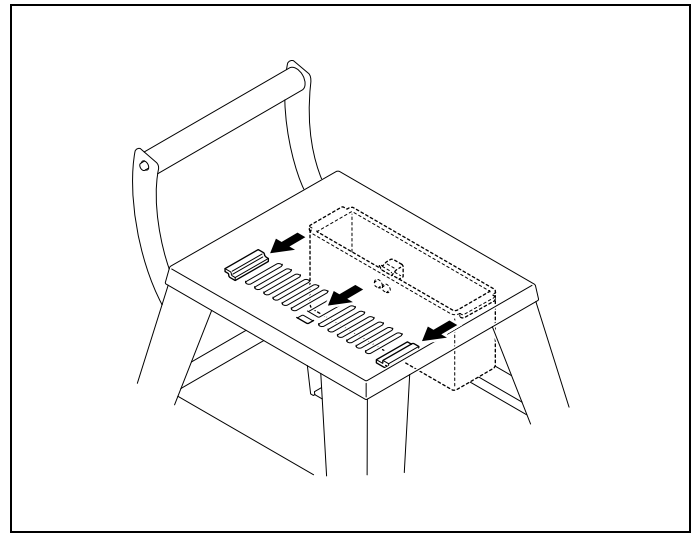
7



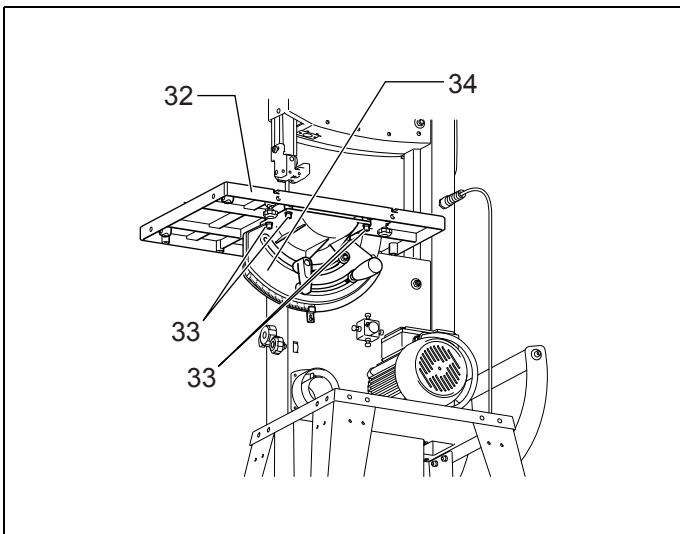
8



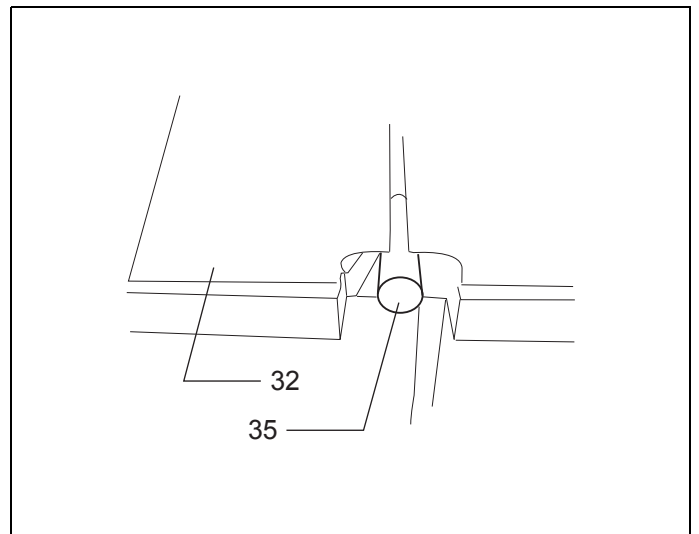
9



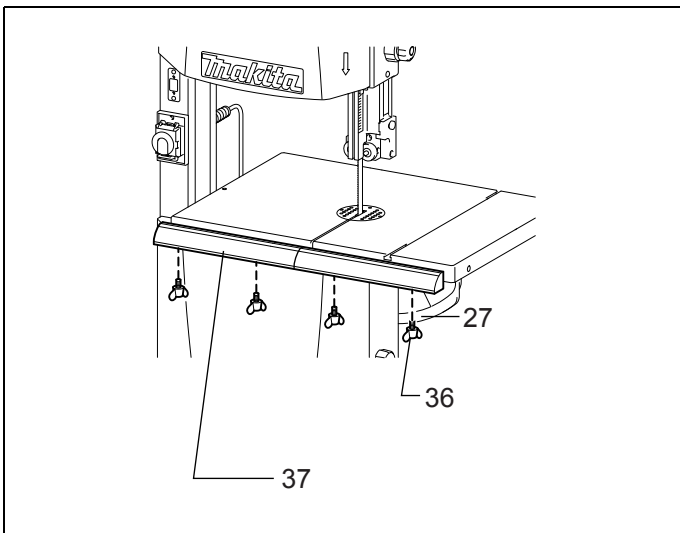
10



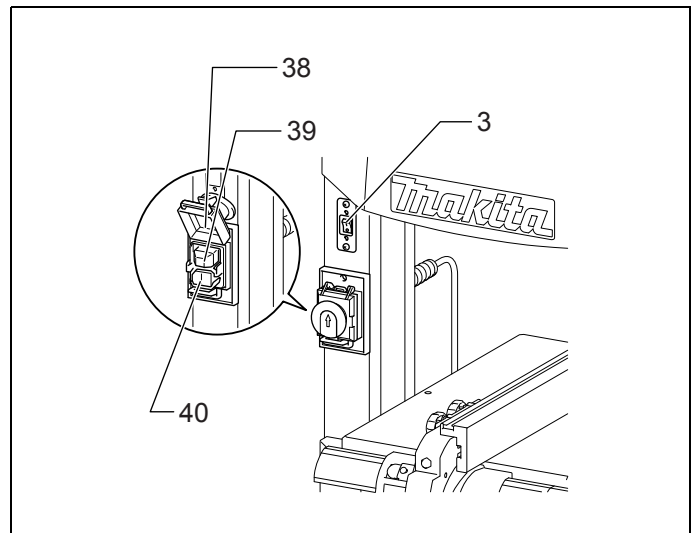
11



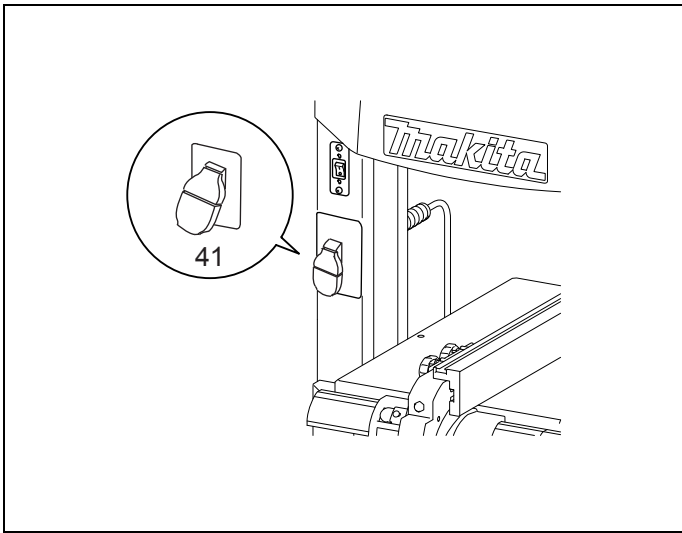
12



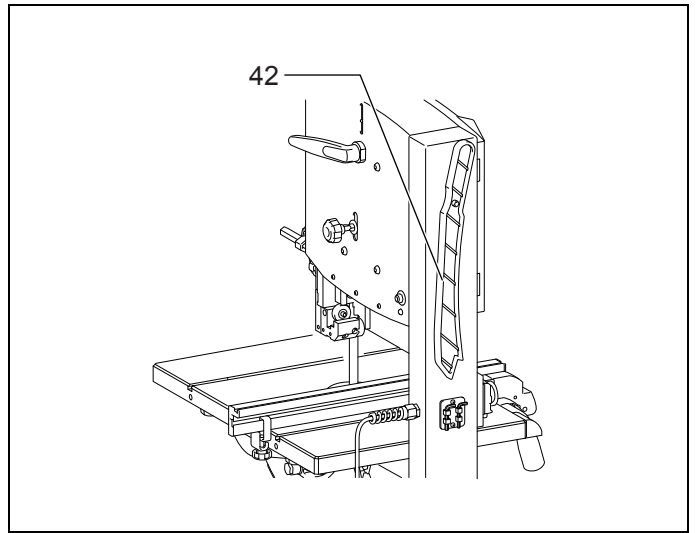
13



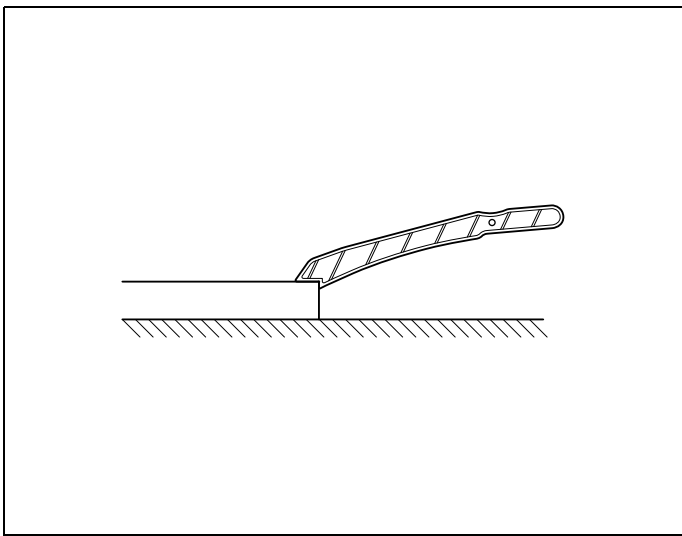
14



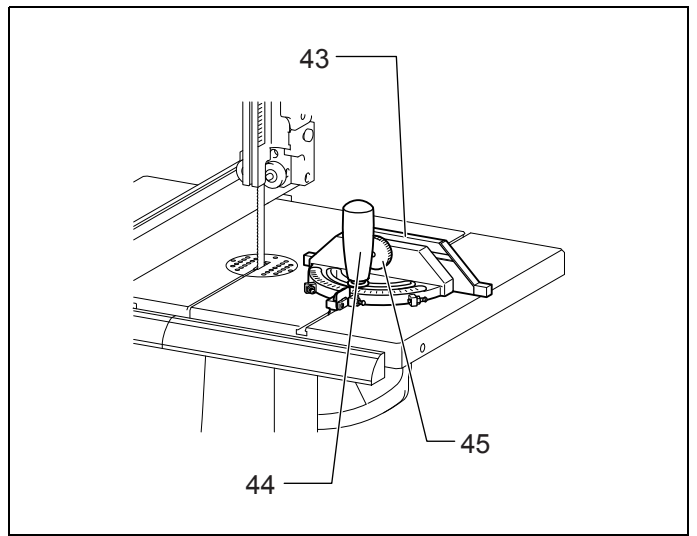
15



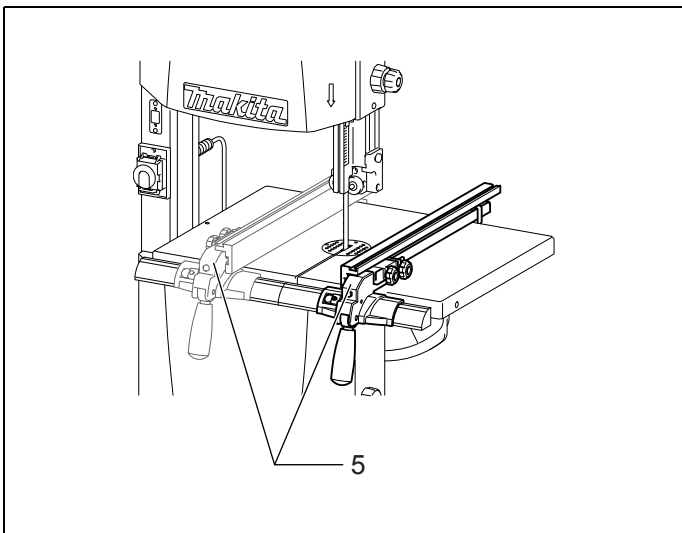
16



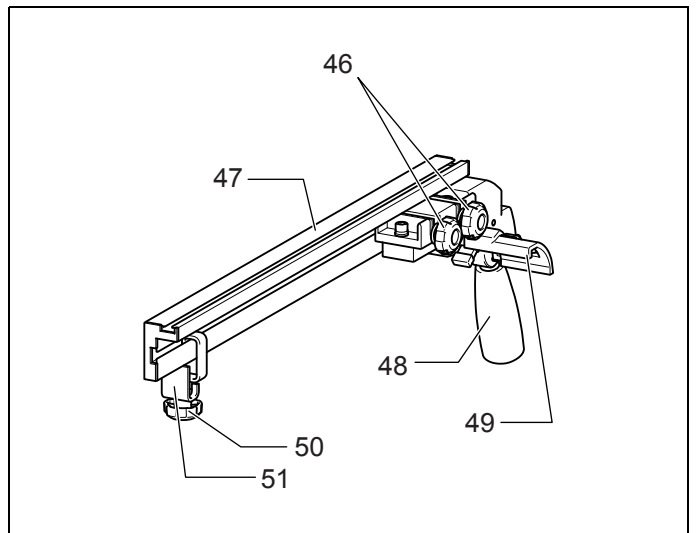
17



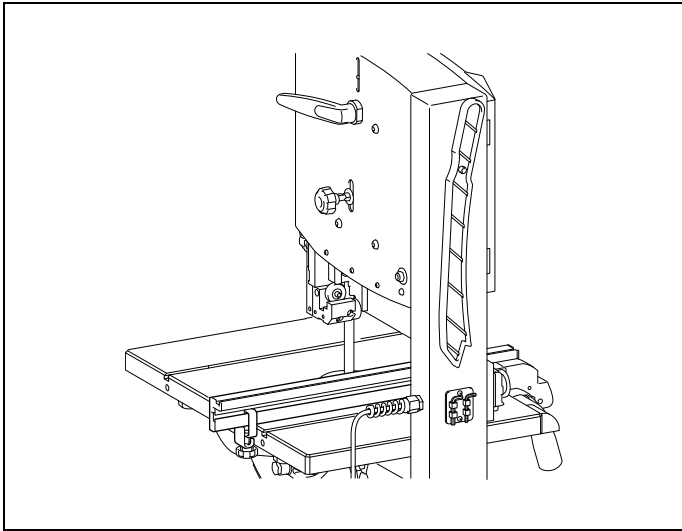
18



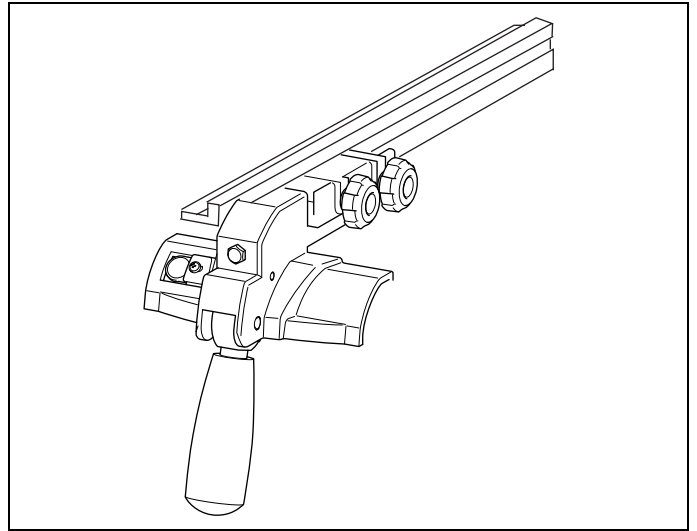
19



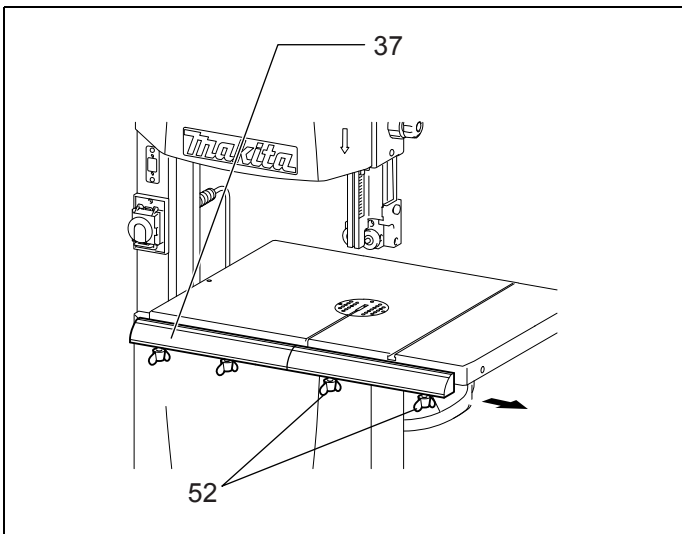
20



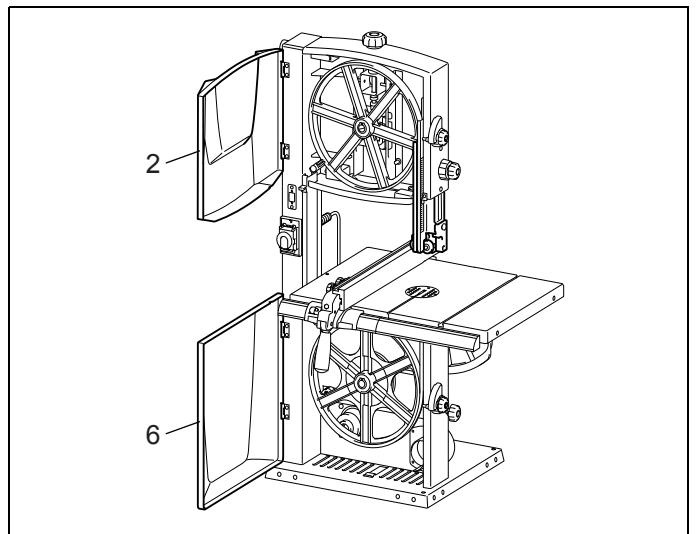
21



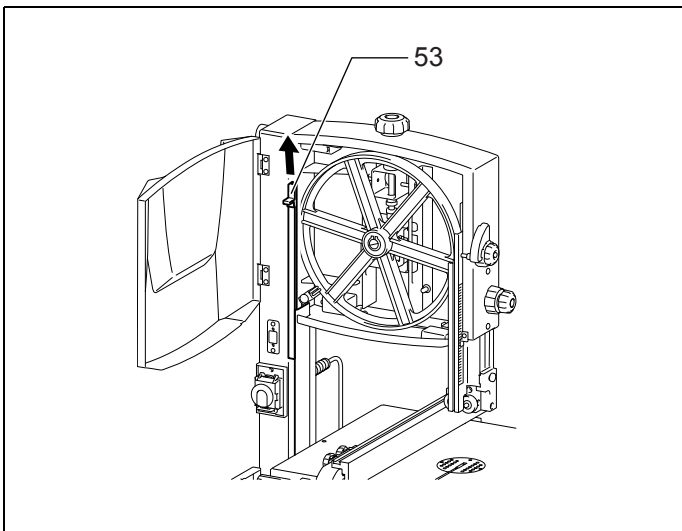
22



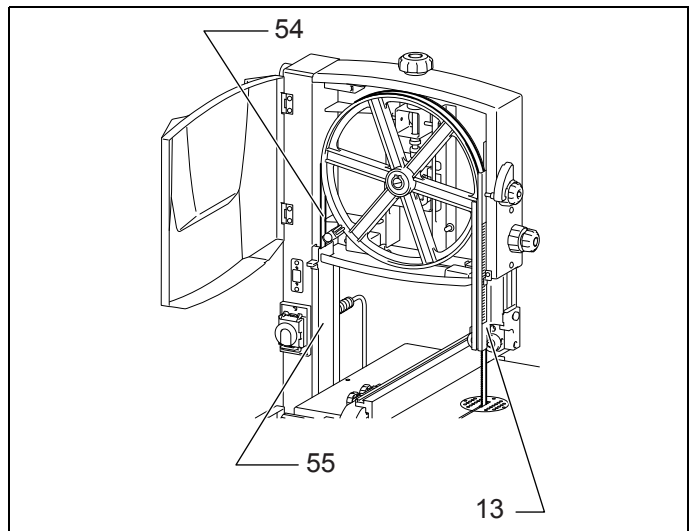
23



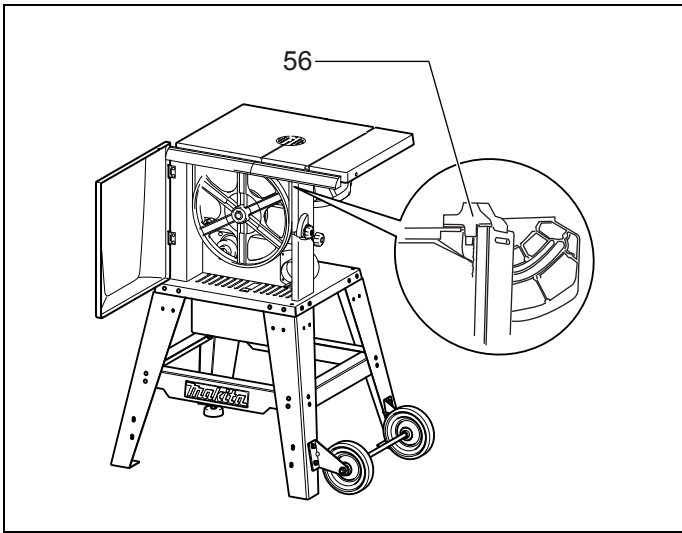
24



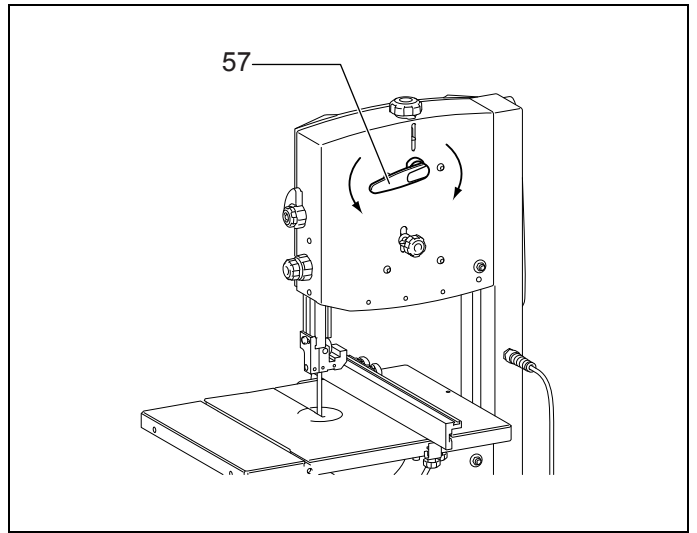
25



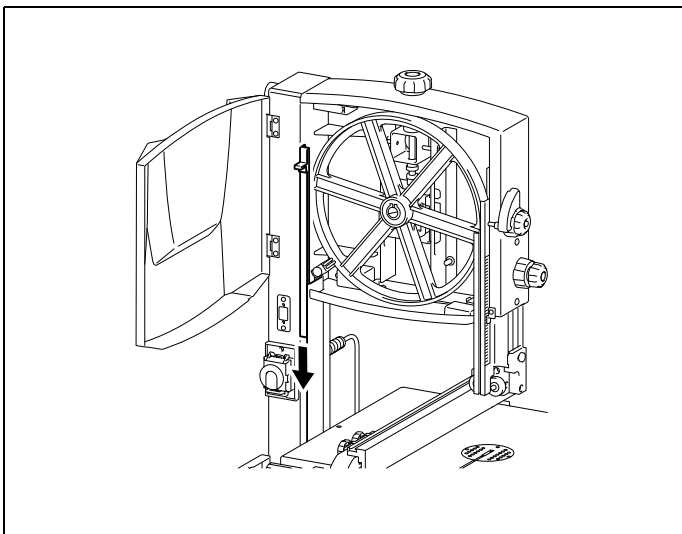
26



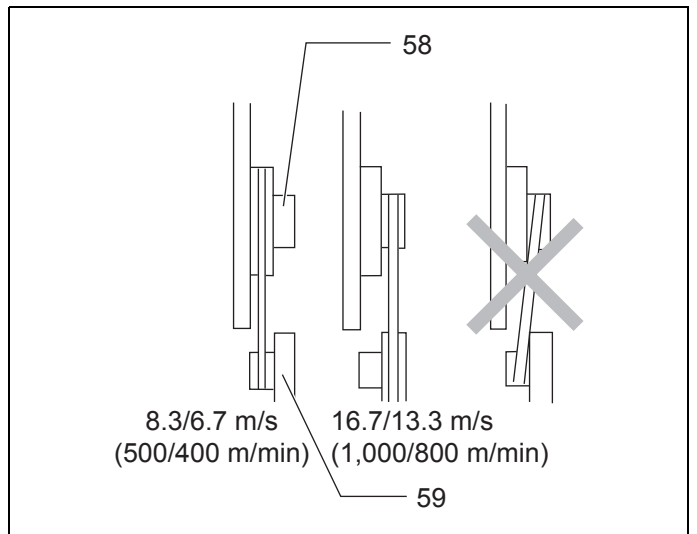
27



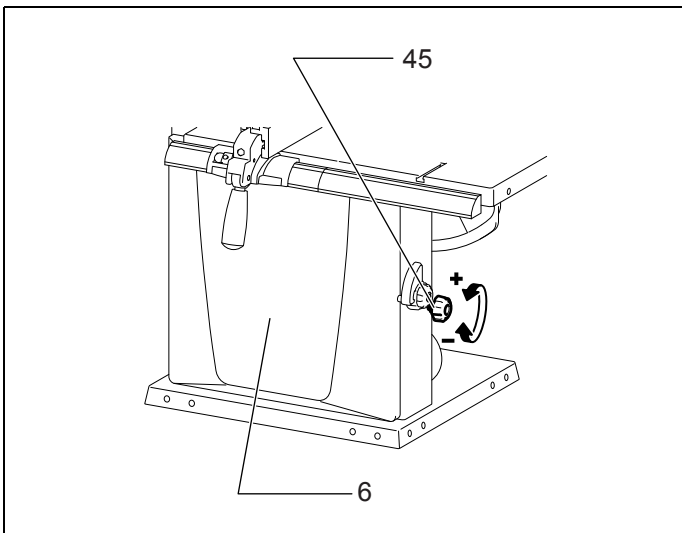
28



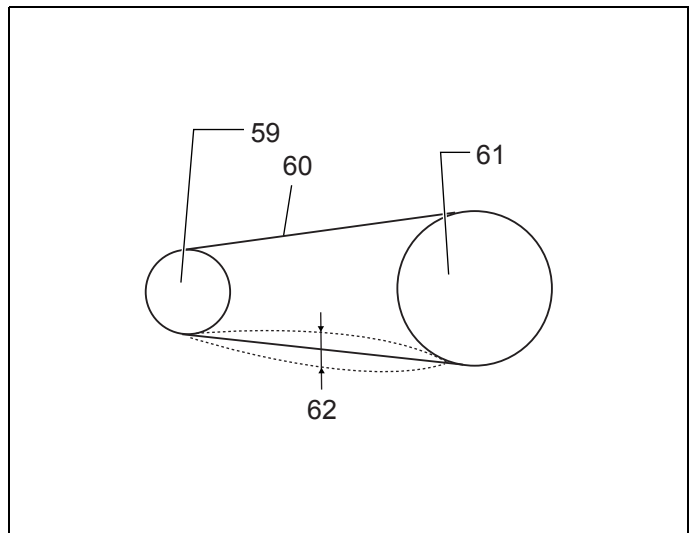
29



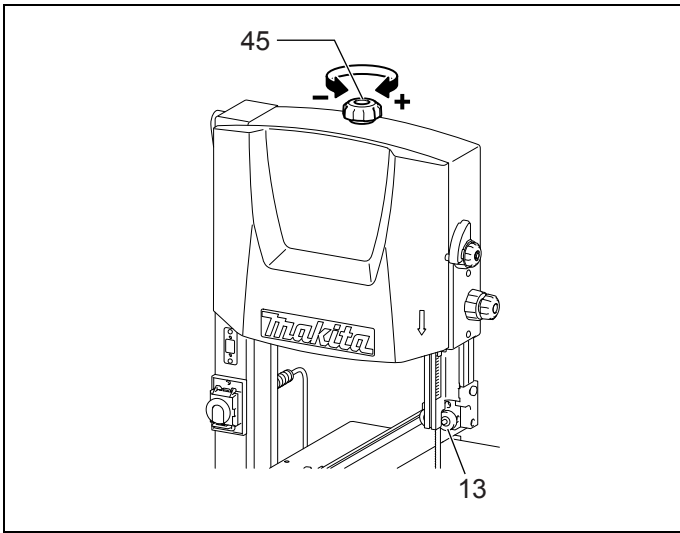
30



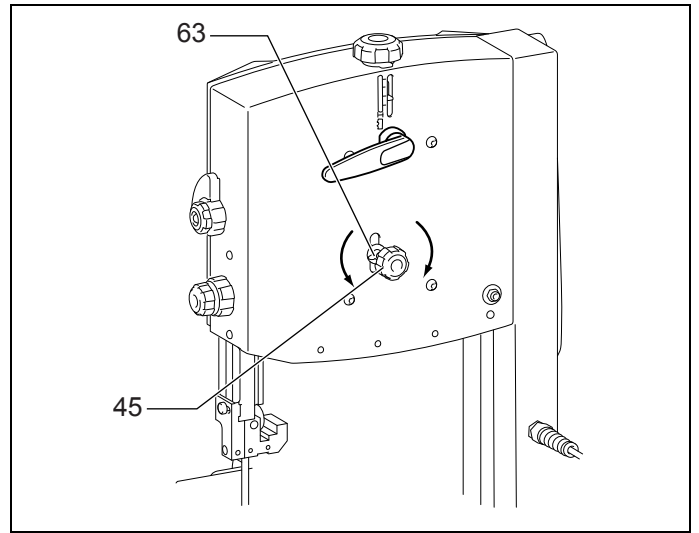
31



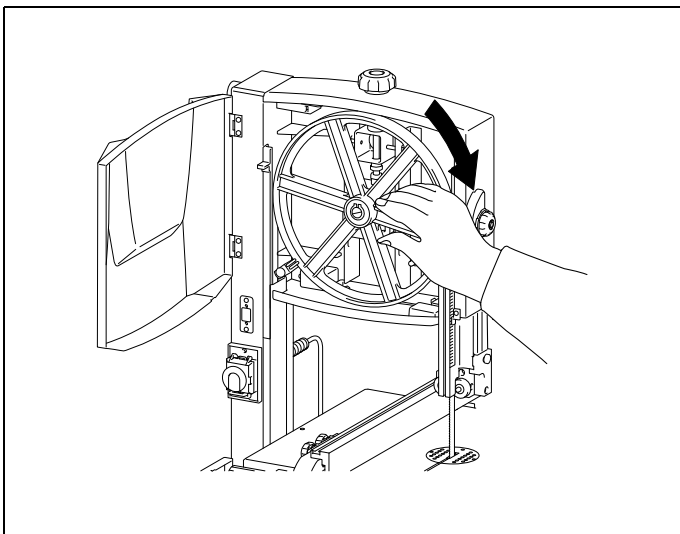
32



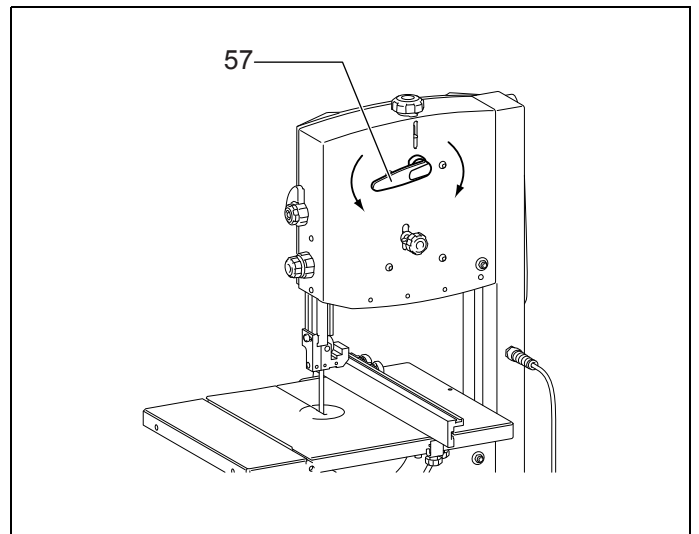
33



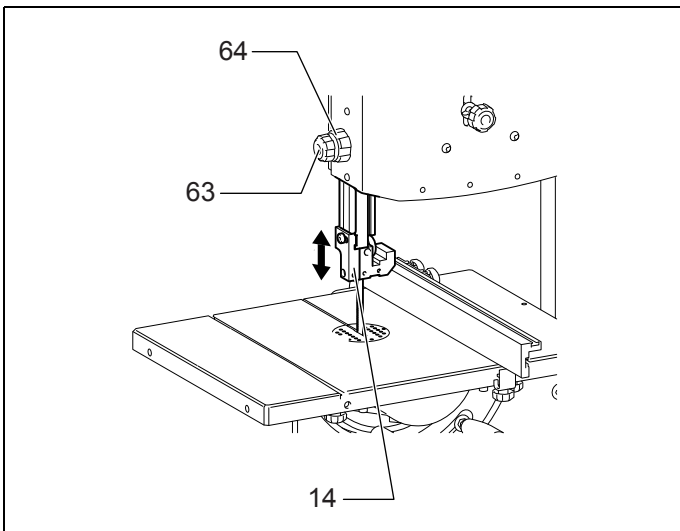
34



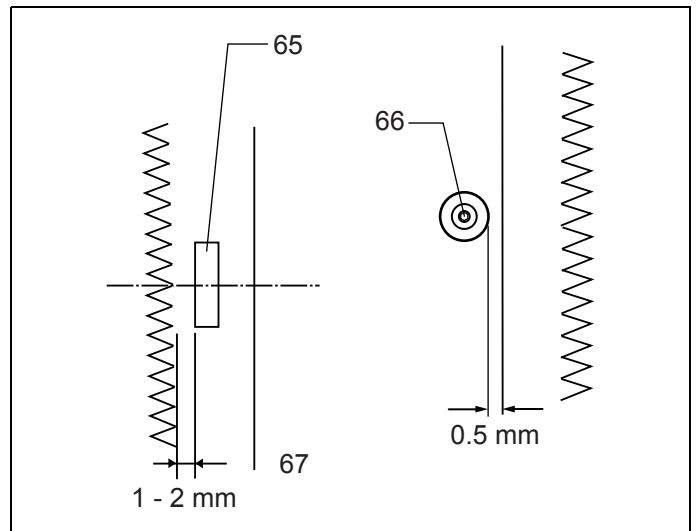
35



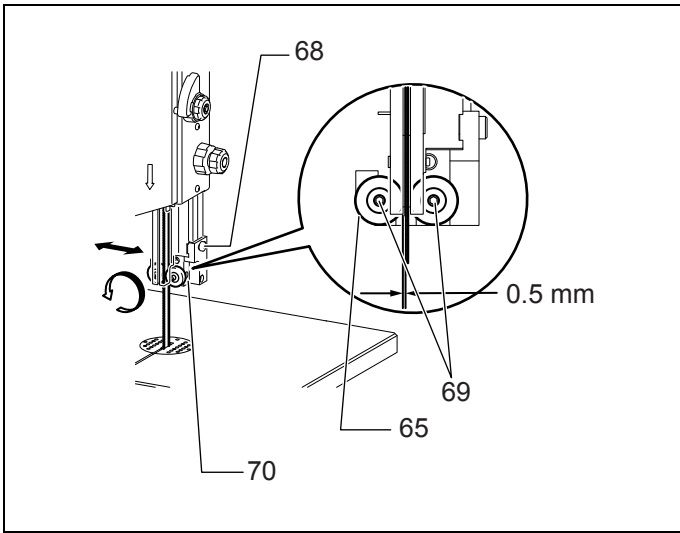
36



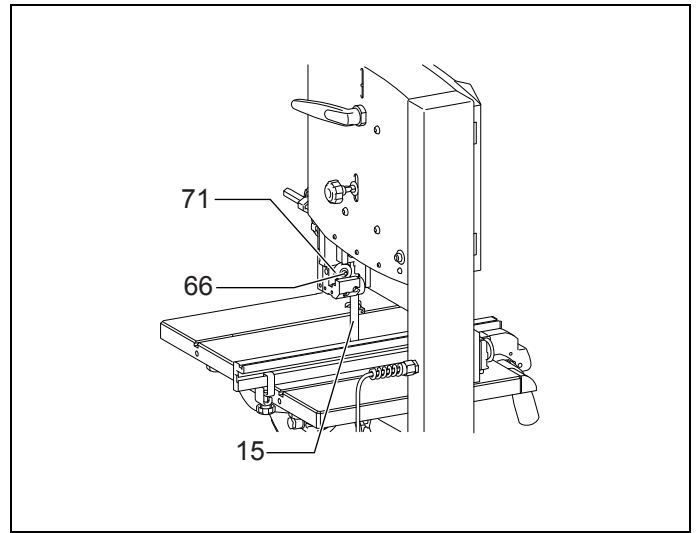
37



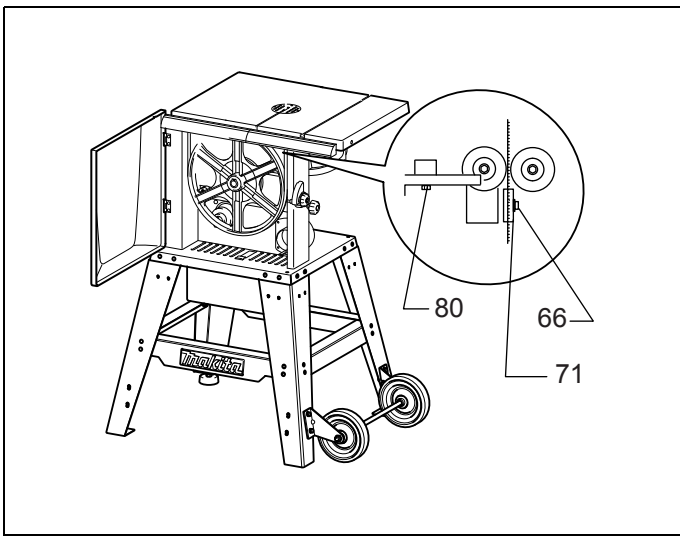
38



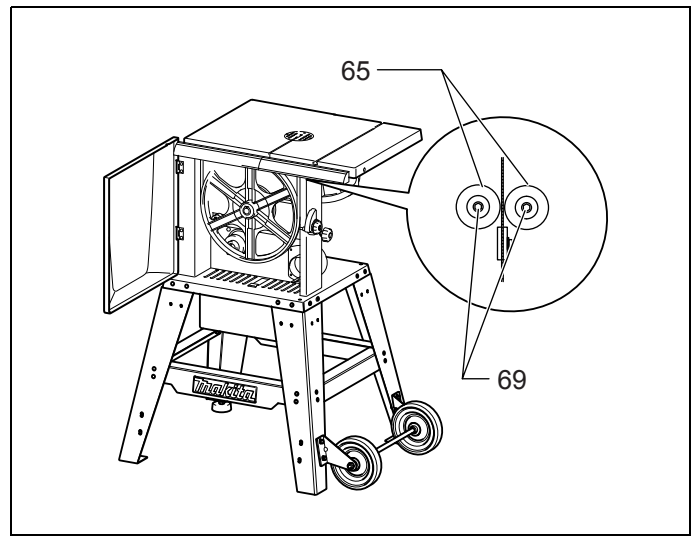
39



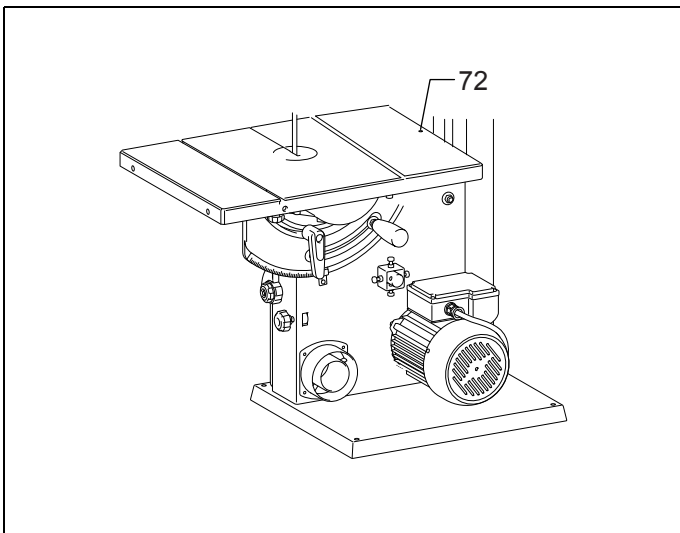
40



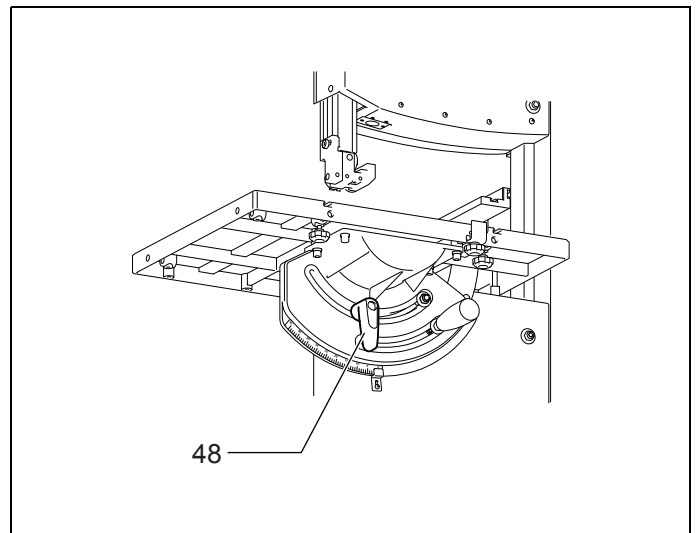
41



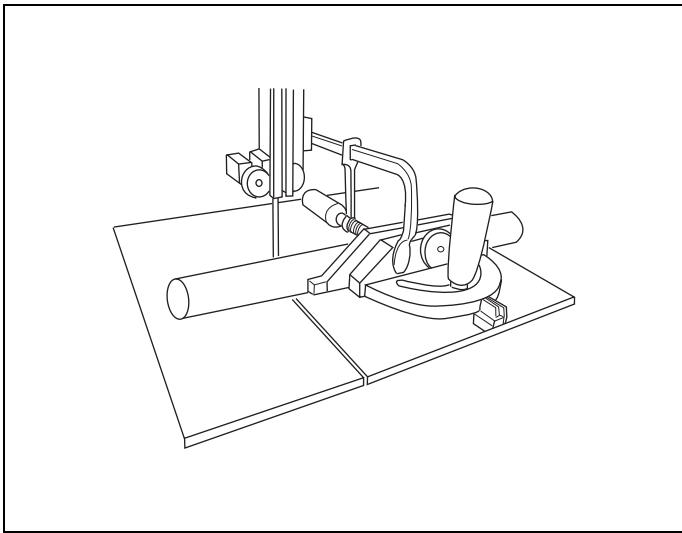
42



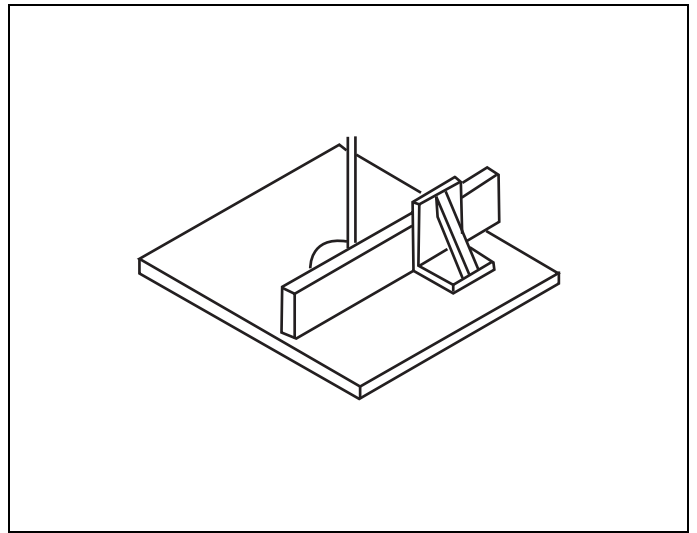
43



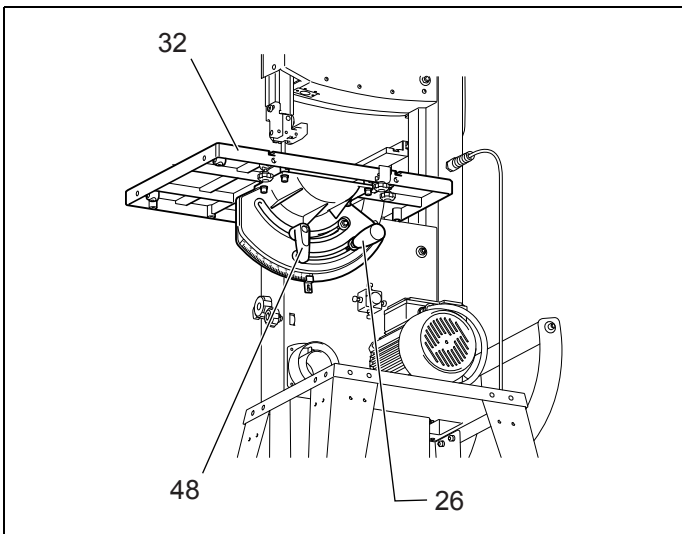
44



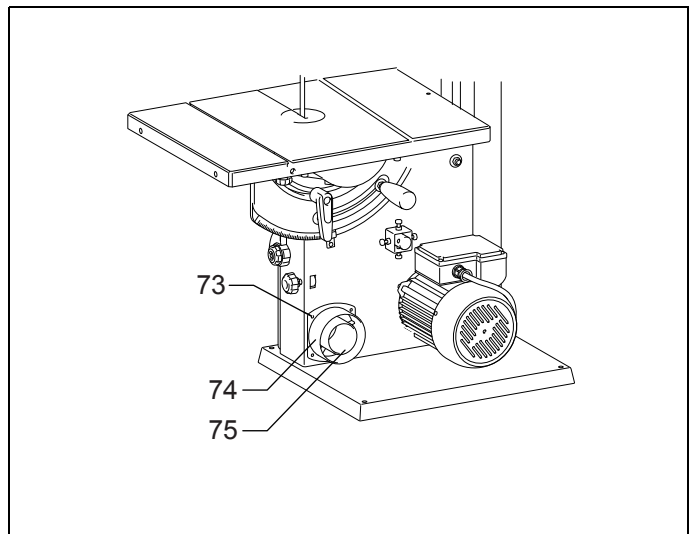
45



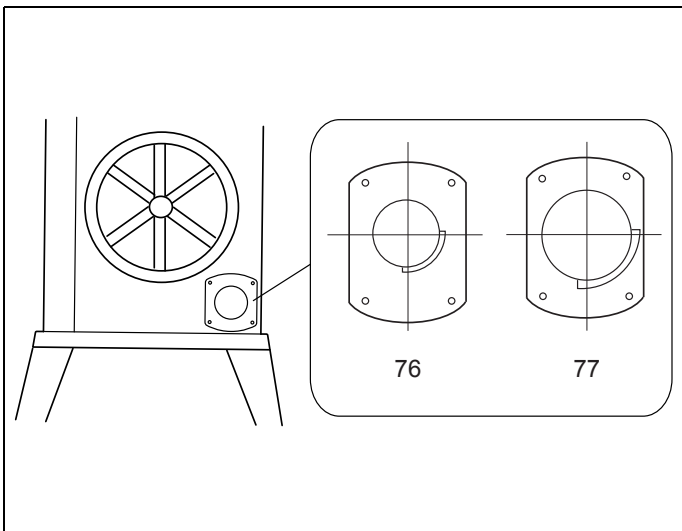
46



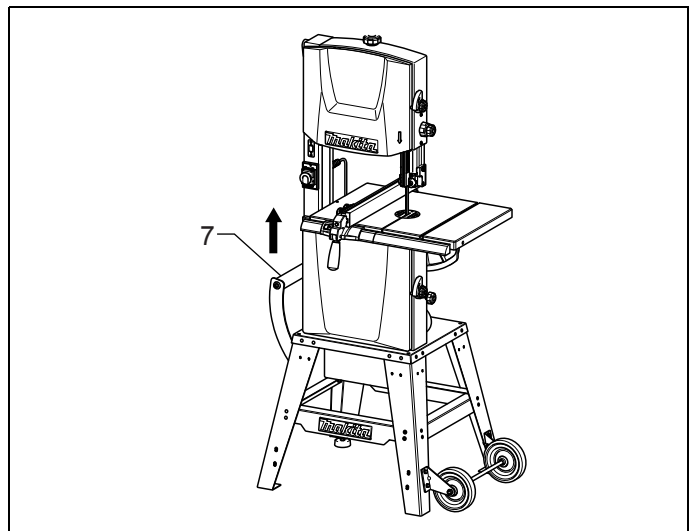
47



48



49



50

ENGLISH (Original instructions)

Explanation of general view

1. Wheel	29. Plate spring	57. Quick release lever
2. Upper cover	30. Securing hole	58. Lower band saw wheel
3. Light switch	31. Position hole	59. Motor pulley
4. Switch	32. Table	60. Driving belt
5. Rip fence	33. Hex bolts	61. Pulley of the driving wheel
6. Lower cover	34. Trunnion	62. Approx. 10 mm
7. Carry Handle	35. Pin	63. Lock knob
8. Dust box	36. Thumb screw	64. Adjusting knob
9. Knob (For tensioning blade)	37. Guide rail	65. Guide bearing
10. Knob (C)	38. Switch cover	66. Bolt A
11. Knob (D)	39. OFF switch	67. Guide bearing distance from bottom of blade
12. Knob (For adjusting blade guide)	40. ON switch	68. Bolt C
13. Knob (For securing blade guide)	41. ON	69. Bolt B
14. Upper blade guide	42. Push stick	70. Bearing holder
15. Blade	43. Miter gauge	71. Thrust bearing
16. Knob (For tensioning V-belt)	44. Lock handle	72. Screw
17. Driving belt	45. Knob	73. Nut
18. Stand	46. Knob (A)	74. Large opening collector
19. Tire	47. Fence	75. Small opening collector
20. Lock lever (For securing table tilt)	48. Lock lever	76. Small dust collector (Mounted on main unit)
21. Dust extraction port	49. Fence holder	77. Large dust collector (For changeover)
22. (Quick release) lever	50. Knob (B)	78. Rail
23. Knob (For adjusting cutter tool tracking)	51. Hold-down clamp	79. Shoulder
24. Grip (For adjusting table tilt)	52. Thumb screws	80. Hex bolt
25. Frame	53. Dust cover	
26. Handle	54. Saw blade	
27. Washer	55. Saw housing	
28. Hex socket head bolt	56. Lower blade guard	

SPECIFICATIONS

Model	LB1200F	
Wheel size	305 mm	
Max. cutting capacity	165 mm	
No load speed	High	840 min ⁻¹ (50 Hz)/1,040 min ⁻¹ (60 Hz)
	Low	420 min ⁻¹ (50 Hz)/520 min ⁻¹ (60 Hz)
Cutting speed	High	13.3 m/s (800 m/min) (50 Hz)/16.7 m/s (1,000 m/min) (60 Hz)
	Low	6.7 m/s (400 m/min) (50 Hz)/8.3 m/s (500 m/min) (60 Hz)
Blade size	Circumference 2,240 mm x Width 6 mm, 13 mm, 16 mm	
Overall dimensions	615 mm x 775 mm x 1,600 mm	
Table size	560 mm x 400 mm	
Net weight	81.2 kg	

- Due to our continuing program of research and development, the specifications herein are subject to change without notice.
- Specifications may differ from country to country.
- Weight according to EPTA-Procedure 01/2003

Symbols

END215-2

The following show the symbols used for the tool. Be sure that you understand their meaning before use.



..... Read instruction manual.



..... Withdraw the main plug.



..... Wear safety glasses.



..... Do not place hand or fingers close to the blade.



..... Only for EU countries
Do not dispose of electric equipment together with household waste material!

In observance of the European Directive, on Waste Electric and Electronic Equipment and its implementation in accordance with national law, electric equipment that have reached the end of their life must be collected separately and returned to an environmentally compatible recycling facility.

Intended use

The tool is intended for cutting in wood or nonferrous metal using appropriate saw blade.

Power supply

ENF001-1

The tool should be connected only to a power supply of the same voltage as indicated on the nameplate, and can only be operated on single-phase AC supply. This tool should be grounded while in use to protect the operator from electric shock. Use only three-wire

extension cords which have three-prong grounding-type plugs and three-pole receptacles which accept the tool's plug.

SAFETY INSTRUCTIONS

ENA001-2

⚠ WARNING: When using electric tools, basic safety precautions, including the following, should always be followed to reduce the risk of fire, electric shock and personal injury. Read all these instructions before operating this product and save these instructions.

For safe operations:

- 1. Keep work area clean.**
Cluttered areas and benches invite injuries.
- 2. Consider work area environment.**
Do not expose power tools to rain. Do not use power tools in damp or wet locations. Keep work area well lit. Do not use power tools where there is risk to cause fire or explosion.
- 3. Guard against electric shock.**
Avoid body contact with earthed or grounded surfaces (e.g. pipes, radiators, ranges, refrigerators).
- 4. Keep children away.**
Do not let visitors touch the tool or extension cord. All visitors should be kept away from work area.
- 5. Store idle tools.**
When not in use, tools should be stored in a dry, high or locked up place, out of reach of children.
- 6. Do not force the tool.**
It will do the job better and safer at the rate for which it was intended.
- 7. Use the right tool.**
Do not force small tools or attachments to do the job of a heavy duty tool. Do not use tools for purposes not intended; for example, do not use circular saws to cut tree limbs or logs.
- 8. Dress properly.**
Do not wear loose clothing or jewellery, they can be caught in moving parts. Rubber gloves and non-skid footwear are recommended when working outdoors. Wear protecting hair covering to contain long hair.
- 9. Use safety glasses and hearing protection.**
Also use face or dust mask if the cutting operation is dusty.
- 10. Connect dust extraction equipment.**
If devices are provided for the connection of dust extraction and collection facilities ensure these are connected and properly used.
- 11. Do not abuse the cord.**
Never carry the tool by the cord or yank it to disconnect it from the socket. Keep the cord away from heat, oil and sharp edges.
- 12. Secure work.**
Use clamps or a vice to hold the work. It is safer than using your hand and it frees both hands to operate the tool.
- 13. Do not overreach.**
Keep proper footing and balance at all times.
- 14. Maintain tools with care.**
Keep cutting tools sharp and clean for better and safer performance. Follow instructions for lubrication and changing accessories. Inspect tool cord periodically and if damaged have it repaired by an authorized service facility. Inspect extension cords periodically and replace, if damaged. Keep handles dry, clean and free from oil and grease.
- 15. Disconnect tools.**
When not in use, before servicing and when changing accessories such as blades, bits and cutters.
- 16. Remove adjusting keys and wrenches.**
Form the habit of checking to see that keys and adjusting wrenches are removed from the tool before turning it on.
- 17. Avoid unintentional starting.**
Do not carry a plugged-in tool with a finger on the switch. Ensure switch is off when plugging in.
- 18. Use outdoor extension leads.**
When tool is used outdoors, use only extension cords intended for outdoor use.
- 19. Stay alert.**
Watch what you are doing. Use common sense. Do not operate tool when you are tired.
- 20. Check damaged parts.**
Before further use of the tool, a guard or other part that is damaged should be carefully checked to determine that it will operate properly and perform its intended function. Check for alignment of moving parts, free running of moving parts, breakage of parts, mounting and any other conditions that may affect its operation. A guard or other part that is damaged should be properly repaired or replaced by an authorized service center unless otherwise indicated in this instruction manual. Have defective switches replaced by an authorized service facility. Do not use the tool if the switch does not turn it on and off.
- 21. Warning.**
The use of any accessory or attachment, other than those recommended in this instruction manual or the catalog, may present a risk of personal injury.
- 22. Have your tool repaired by a qualified person.**
This electric tool is in accordance with the relevant safety requirements. Repairs should only be carried out by qualified persons using original spare parts, otherwise this may result in considerable danger to the user.

ADDITIONAL SAFETY RULES FOR TOOL

SAVE THESE INSTRUCTIONS.

- 1. Wear eye protection.**
- 2. Don't use the tool in presence of flammable liquids or gases.**
- 3. Always use face or dust mask.**
- 4. Check the blade carefully for cracks or damage before operation. Replace cracked or damaged blade immediately.**
- 5. Use only saw blades recommended by the manufacturer and which conform to EN847-1.**
- 6. Always use accessories recommended in this manual. Use of improper accessories such as abrasive cut-off wheels may cause an injury.**
- 7. Select the correct saw blade for the material to be cut.**
- 8. Do not use saw blades manufactured from high speed steel.**
- 9. To reduce the emitted noise, always be sure that the blade is sharp and clean.**
- 10. Do not cut metals such as nails and screws. Inspect for and remove all nails, screws and other foreign matter from the workpiece before operation.**
- 11. Remove wrenches, cut-off pieces, etc. from the table before the switch is turned on.**
- 12. NEVER wear gloves during operation.**
- 13. Keep hands out of the line of the saw blade.**

14. **NEVER stand or permit anyone else to stand in line with the path of the saw blade.**
15. **Before using the tool on an actual workpiece, let it run for a while. Watch for vibration or wobbling that could indicate poor installation or a poorly balanced blade.**
16. **Replace the table insert when worn.**
17. **Connect band saw to a dust-collecting device when sawing wood.**
18. **Do not operate the machine when the door or guard protecting the saw band is open.**
19. **Take care that the selection of the saw band and the speed depends on the material to be cut.**
20. **Do not clean the saw band whilst it is in motion.**

INSTALLATION (Fig. 1 & 2)

Securing the band saw stand

If during operation there is any tendency for the band saw to tip over, slide or move, the band saw stand be secured to the floor. (Fig. 3 - 7)

- After attaching the stand, attach the handle and tires. (Fig. 8)

How to load dust box

The dust box is loaded from the underside of the table saw. When loading, insert plate spring (for securing) at inside edge of the machine's positioning hole, slot both shoulders of dust box onto rails, and then slide toward the outside.

Once the leading edge of the securing plate spring fits into the machine's securing hole, the dust box is loaded. (Fig. 9 & 10)

Secure table to trunnion using four hex bolts. (Fig. 11)

Pin is inserted at time of shipping, so please pull it out. (Fig. 12)

Installing the guide rail (Fig. 13)

- Fasten the guide rail with four each thumb screws and washers to the table.

FUNCTIONAL DESCRIPTION

Switch action (Fig. 14)

⚠ CAUTION:

- Before operation, make sure that the tool is turned on and off. The switch cover can be opened easily by sliding it upwards. To start the tool, press the ON (I) button. To stop it, press the OFF (O) button or the switch cover.

Lighting up the lamps

Push the upper position (I) of the switch for turning on the light and the lower position (O) for off.

To start the tool, raise the switch lever. (Fig. 15)

To stop it, lower the switch lever.

Push stick (Fig. 16)

The push stick serves as an extension of the hand and protects against accidental contact with the saw blade.

The push stick must always be used if the distance between band saw blade and a rip fence is less than 150 mm.

Guide the push stick at an angle of 20° ... 30° against the saw table's surface. (Fig. 17)

When the push stick is not used it can be stored on the push stick holder provided at the band saw frame.

Replace push stick if damaged.

Miter gauge (Fig. 18)

The miter gauge is inserted into the table slot from the table's front edge.

For miter cuts the miter gauge turns to 60° in both directions.

For 45° and 90° miters positive stops are provided.

To set a miter angle: loosen lock handle by turning it counter-clockwise.

⚠ WARNING:

When cutting with the miter gauge the lock handle must be firmly tightened.

The auxiliary fence can be taken off and reversed after loosening knob.

Installing the Rip Fence (Fig. 19)

The rip fence can be used on both sides of the blade. When the rip fence is moved from one side of the saw blade to the other the fence needs to be reversed.

Reversing the fence (Fig. 20)

1. Loosen knob (B) of the hold-down clamp.
2. Remove hold-down clamp from the fence.
3. Loosen knob (A).
4. Lift fence off the fence holder.
5. Reverse fence and slide back on the fence holder.
6. Tighten knob (A).
7. Slide hold-down clamp on the fence.

Clamping the rip fence

1. Place rip fence on the guide rail.
2. Tighten the lock lever of the rip fence.
3. Loosen the knob (B) of the hold-down clamp.
4. Slide hold-down clamp against the rear table edge.
5. Tighten the knob (B).

Fence height can be lowered when cutting thin materials. (Fig. 21 & 22)

1. Loosen knob (B) of the hold-down clamp.
2. Remove hold-down clamp from the fence.
3. Loosen knob (A).
4. Lift fence off the fence holder.
5. Slide knob (A) away from fence to remove.
6. Rotate fence 90°.
7. Insert knob (A) into the other groove of the fence.
8. Return fence to fence holder.
9. Tighten knob (A).
10. Slide hold-down clamp on the fence.

When fence height has been lowered, the 0 (zero) point changes. If the rip fence is on the left side of the blade, slide the guide rail to the left to adjust to 0 point.

ASSEMBLY

Changing the band saw blade

⚠ CAUTION:

- Contacting the band saw blade even with the band saw blade at standstill may cause a personal injury.
 - Saw blade is dangerous. Be sure to wear gloves when handling saw blade in situations such as removing from packaging, mounting or replacing blade.
1. Loosen the two thumb screws for the right-guide rail, and slide the right-side rail to the right. (Fig. 23)

2. Turn the knob (C) each of the upper cover and the lower cover counterclockwise fully until it stops.
3. Loosen the knob (D) each of the upper cover and the lower cover.
4. Open both the upper cover and lower cover on the tool. **(Fig. 24)**
5. Hold the handle and pull the dust cover upwards to remove. **(Fig. 25)**
6. Open the lower blade guard. **(Fig. 27)**
7. Set the upper blade guide to its lowest position. **(Fig. 26)**
8. Loosen quick release lever until the band saw blade has slackened. **(Fig. 28)**
9. To remove the band saw blade, guide it through.
 - the slot in the saw blade.
 - the blade guard on the upper blade guides.
 - the blade cover on the saw housing.
10. Fit a fresh band saw blade. Observe correct position: the teeth point towards the front (door) side of the saw.
11. Center band saw blade on the rubber tyres of the band saw wheels.
12. Tighten quick release lever until blade does no longer slip off the band saw wheels.
13. Close lower blade guard.

⚠ CAUTION:

Close lower cover only when the lower blade guard is in its closed position.

14. Return the right-guide rail to its original position.
15. Fit the dust cover. **(Fig. 29)**
16. Close both covers.
17. Turn the knob (C) clockwise fully until it stops.
18. Tighten the knob (D).
19. Then:
 - tension band saw blade (Refer to the section titled "Tensioning the band saw blade" in "FUNCTIONAL DESCRIPTION").
 - align band saw blade (Refer to the section titled "Aligning the band saw blade" "ASSEMBLY").
 - align blade guides (Refer to the section titled "Adjusting the upper blade guide" in "FUNCTIONAL DESCRIPTION").
 - let saw test run for at least one minute;
 - stop saw unplug and recheck settings.

Cutting speed adjustment (Fig. 30)

1. Open the lower cover.
2. Slacken driving belt by turning the knob clockwise.
3. Put driving belt on the required pulley of the driving wheel (lower band saw wheel) and the corresponding motor pulley-note label inside the lower cover.

⚠ CAUTION:

The driving belt must run either on both front or both rear pulleys. Never have the V-belt run diagonally.

Setting knob for belt tension (Fig. 31)

With the setting knob the belt tension is corrected if necessary:

- turning the setting knob clockwise reduces the driving belt tension.
- turning the setting knob counter-clockwise increases the driving belt tension.

Tighten the driving belt again by turning the knob counter-clockwise (half-way between the pulleys the driving belt should flex approx. 10 mm). **(Fig. 32)**

Close the lower cover.

FUNCTIONAL DESCRIPTION

Tensioning the Band saw Blade (Fig. 33)

⚠ CAUTION:

Too much tension can cause the band saw blade to break. Too little tension can cause the driven band saw wheel to slip and the band saw blade to stop.

1. Raise upper blade guide fully. Using the scale as guide, and taking the blade width into consideration, turn the knob to adjust tension. (After adjusting, check tension as shown in item 2.)
2. Checking the blade tension:
 - check tension by pushing with a finger, halfway between table and upper blade guide, against the side of the blade (the blade should flex not more than 1-2 mm).
 - check adjustment at the blade tension indicator. The scale indicates the correct adjustment in dependence on the band saw blade width.
3. Correct tension if necessary:
 - turning the setting knob clockwise increases the blade tension.
 - turning the setting knob counter-clockwise reduces the blade tension.

Aligning the band saw blade (Fig. 34)

If the band saw blade does not run in the center of the rubber tyres, the tracking needs to be corrected by adjusting the tilt of the upper band saw wheel:

1. Loosen lock knob.
2. Manually rotate the upper wheel, taking care not to touch the blade. **(Fig. 35)**
3. Turn setting knob clockwise if the band saw blade runs towards the front of the saw.
 - turn setting knob counter-clockwise if the band saw blade runs toward the rear of the saw.
4. After adjusting, always close the lock knob.

Quick release lever (Fig. 36)

With the quick release lever the saw blade tension is released.

Clockwise: Reduce tension

Counterclockwise: Increase tension

Upper blade guide adjustment (Fig. 37)

The height of the upper blade guide needs to be adjusted: prior to every cutting/operation, to accommodate the height of the work piece (the upper blade guide should be set approx. 3 mm above the work piece);

- after adjustments of band saw blade or saw table (e.g. band saw blade change, tensioning of the band saw blade, saw table alignment).

⚠ CAUTION:

Before adjusting the upper blade guide and saw table tilt:

- switch machine OFF;
- wait until the band saw blade has come to a complete stop.

- Set upper blade guide with the adjusting knob to the desired height by loosening the lock knob.

After adjustment be sure to tighten the lock nut.

- Never cut several work pieces at the same time — and also no bundles containing several individual pieces. Risk of personal injury if individual pieces are caught by the saw blade uncontrolled.

1. Loosen bolt C, and adjust bearing holder, so that guide bearing is positioned 1 or 2 mm from bottom of blade. (Fig. 38 - 40)
2. Loosen bolt A, and adjust thrust bearing to a position of 0.5 mm from rear of blade.
3. Loosen bolt B, and adjust guide bearing to a position 0.5 mm away from blade.

Align the lower blade guide (Fig. 41)

The lower blade guide consists of:

- a thrust bearing (supporting the band saw blade from the rear).
- two guide bearings (providing lateral support).

These parts need to be readjusted after every band saw blade change or tracking adjustment:

Note:

Periodically check thrust bearings and guide bearings for wear, if necessary replace both guide bearings at the same time.

- Open lower cover door and the lower blade guard.
- Loosen hex bolt, move the entire lower blade guide, and adjust the guide bearing to a position of 1 or 2 mm from bottom of individual blade.

Adjusting the thrust bearing

1. Loosen bolt A.
2. Adjust thrust bearing position (distance thrust bearing - band saw blade = 0.5 mm — if the band saw blade is turned by hand, it must not touch the thrust bearing).
3. Tighten bolt A.

Adjusting the guide bearings (Fig. 42)

1. Loosen bolt B.
2. Set guide bearing against the band saw blade.
3. Turn the band saw wheel by hand in a clockwise direction several times to bring the guide bearings in correct position. Loosen bolt A, and adjust thrust bearing to a position of 0.5 mm from rear of blade. Both guide bearings should JUST TOUCH the band saw blade.
4. Tighten bolt B again.
5. Close lower blade guard.
6. Close the lower cover door.

Aligning the saw table at right angles to the band saw blade (Fig. 43 & 44)

1. Raise upper blade guide fully (see "Operation").
2. Check band saw blade tension (see "FUNCTIONAL DESCRIPTION").
Turn the handle clockwise to tilt the table in an anticlockwise direction, and turn the handle anticlockwise to tilt the table in a clockwise direction.
3. Loosen lock lever.
4. Using a try square, set the table at right angles to the blade by turning the handle to adjust the table, and tighten the lock lever again.
5. Adjust limit stop screw until it touches the saw housing.

OPERATION (Fig. 45 & 46)

⚠ Danger:

To reduce the risk of personal injury as much as possible, the following safety recommendations should be observed when operating the saw.

⚠ CAUTION:

- Do not touch the saw blade when cutting.

- During saw operation, wear safety glasses, but do not wear gloves.
- Cut only one work piece at a time.
- Always hold the work piece down on the table.
- Do not jam any work pieces.
- Do not try to slow the band saw blade down or stop it by pushing the work piece against the saw blade from the side.
- When straight cutting against the fence use a push stick.
- If the type of work requires, use the following:
 - pushing stick — if distance rip fence - band saw blade ≤ 150 mm;
 - work support — for long stock, which would otherwise fall off the table on completion of the cut;
 - dust collector;
 - when cutting round stock, firmly secure material as shown in diagram.
 - a suitable guide for firm support when cutting thin stock layed on edge.
 - gloves for handling the saw band and rough material.
- Before starting work, check to see that the following are in proper working order:
 - band saw blade;
 - upper and lower blade guard.
- Replace damaged parts immediately.
- Assume correct work position (the band saw blade's teeth must point towards the operator).

Sawing

⚠ WARNING:

Risk of kickback (work piece is caught by the band saw blade and thrown against the operator.)

Do not jam any work piece.

- Select rip fence and table tilt for the type of cutting operation to be carried out.
- Set upper blade guide 3 mm above the work piece.

Note:

Always make a trial cut in a piece of scrap to verify settings, correct if necessary before cutting the work piece.

- Place work piece on the saw blade.
- Plug in.
- Start saw.
- Cut work piece in a single pass.
- Switch off if no further cutting is to be done immediately afterwards.
- Use separately retailed sub table.

Saw table tilt (Fig. 47)

⚠ CAUTION:

When bevel-cutting with the table inclined, place the guide on the lower part of the table.

After loosening the lock lever the saw table tilts steplessly through 45° against the blade.

Turn the handle clockwise to tilt the table in an anticlockwise direction, and turn the handle anticlockwise to tilt the table in a clockwise direction.

Connecting to vacuum cleaner (Fig. 48 & 49)

Cleaner operations can be performed by connecting the tool to Makita vacuum cleaner or dust collector.

If a dust extractor is fitted to the large opening collector, rearrange dust collector to ensure it has a large opening.

How to move machine (Fig. 50)

- Raise handle to enable movement of machine.
- During transportation the saw band guard should be fully down and close to the table.
- Do not use guarding for handling or transportation.

⚠ CAUTION:

- If handle is raised too high, the machine may topple over.

MAINTENANCE

⚠ CAUTION:

- Always be sure that the tool is switched off and unplugged before attempting to perform inspection or maintenance.

NOTICE:

- Never use gasoline, benzine, thinner, alcohol or the like. Discoloration, deformation or cracks may result.

Cleaning

Clean out sawdust and chips from time to time. Carefully clean the blade guard and moving parts inside the band saw.

Lubrication

To keep the band saw in tip-top running condition, and to assure maximum service life, oil or grease the moving parts and rotating parts from time to time.

To reduce the emitted noise, always be sure that the blade is sharp and clean.

To maintain product SAFETY and RELIABILITY, repairs, any other maintenance or adjustment should be performed by Makita Authorized Service Centers, always using Makita replacement parts.

OPTIONAL ACCESSORIES

⚠ CAUTION:

- These accessories or attachments are recommended for use with your Makita tool specified in this manual. The use of any other accessories or attachments might present a risk of injury to persons. Only use accessory or attachment for its stated purpose.

If you need any assistance for more details regarding these accessories, ask your local Makita Service Center.

- Band saw stand
- Hex wrench
- Rip fence
- Miter gauge
- Circular cutting attachment
- Extension table
- Belt sanding attachment

NOTE:

- Some items in the list may be included in the tool package as standard accessories. They may differ from country to country.

For European countries only

Noise

The typical A-weighted noise levels are

sound pressure level: 81 dB (A)

sound power level: 94 dB (A)

Uncertainty (K): 3 dB (A)

Wear ear protection.

These values have been obtained according to EN61029.

EC DECLARATION OF CONFORMITY

For European countries only

The EC declaration of conformity is included as Annex A to this instruction manual.

DEUTSCH (Originalanweisungen)

Erklärung der Gesamtdarstellung

1. Rolle	26. Griff	55. Sägebandgehäuse
2. Oberer Abdeckung	27. Unterlegscheibe	56. Untere Sägebandabdeckung
3. Schalter für Beleuchtung	28. Innensechskantschraube	57. Hebel für Schnellentspannung
4. Schalter	29. Blattfeder	58. Untere Sägebandrolle
5. Parallelanschlag	30. Öffnung für Arretierung	59. Riemenscheibe am Motor
6. Unterer Abdeckung	31. Positionierungsöffnung	60. Antriebsriemen
7. Tragegriff	32. Tisch	61. Riemenscheibe der Antriebsrolle
8. Sägemehlbehälter	33. Sechskantschrauben	62. Ca. 10 mm
9. Einstellrad (für Sägebandspannung)	34. Kipplager	63. Feststellknäuf
10. Drehverschluss (C)	35. Stift	64. Einstellknäuf
11. Drehverschluss (D)	36. Flügelschraube	65. Führungsrolle
12. Einstellrad (zur Einstellung der Sägebandführung)	37. Führungsschiene	66. Bolzen A
13. Einstellrad (zur Sicherung der Sägebandführung)	38. Schalterabdeckung	67. Abstand der Führungsrolle von der Rückseite des Sägebands
14. Obere Sägebandführung	39. AUS-Schalter	68. Bolzen C
15. Sägeband	40. EIN-Schalter	69. Bolzen B
16. Einstellrad (für Spannung Keilriemen)	41. ON (EIN)	70. Rollenhalter
17. Antriebsriemen	42. Schiebstock	71. Stützrolle
18. Ständer	43. Gehrungslehre	72. Schraube
19. Rad	44. Arretierhebel	73. Mutter
20. Arretierhebel (Tischneigung)	45. Knäuf	74. Sammler mit großer Öffnung
21. Anschluss für Absaugung	46. Knäuf (A)	75. Sammler mit kleiner Öffnung
22. Hebel (für Schnellentspannung des Sägebands)	47. Anschlag	76. Kleiner Staubsammler (am Hauptgerät montiert)
23. Einstellrad (für Sägebandführung)	48. Arretierhebel	77. Großer Staubsammler (zum Umschalten)
24. Handgriff (zum Einstellen der Tischneigung)	49. Anschlaghalter	78. Schiene
25. Rahmen	50. Knäuf (B)	79. Ansatz
	51. Halteklemme	80. Sechskantschraube
	52. Flügelschrauben	
	53. Staubschutz	
	54. Sägeband	

TECHNISCHE DATEN

Modell	LB1200F	
Durchmesser Sägebandrollen	305 mm	
Max. Schnitthöhe	165 mm	
Leerlaufdrehzahl	Hoch	840 min ⁻¹ (50 Hz) / 1.040 min ⁻¹ (60 Hz)
	Niedrig	420 min ⁻¹ (50 Hz) / 520 min ⁻¹ (60 Hz)
Schneidgeschwindigkeit	Hoch	13,3 m/s (800 m/min) (50 Hz)/16,7 m/s (1.000 m/min) (60 Hz)
	Niedrig	6,7 m/s (400 m/min) (50 Hz)/8,3 m/s (500 m/min) (60 Hz)
Maße Sägeband	Umfang 2.240 mm x Breiten 6 mm, 13 mm, 16 mm	
Gesamtabmessungen	615 mm x 775 mm x 1.600 mm	
Maße Sägetisch	560 mm x 400 mm	
Nettogewicht	81,2 kg	

- Aufgrund unserer fortschreitenden Forschungen und Entwicklungen sind Änderungen an den hier wiedergegebenen Angaben ohne Vorankündigung vorbehalten.
- Die Technischen Daten können in den einzelnen Ländern voneinander abweichen.
- Gewicht entsprechend EPTA-Verfahren 01/2003

Symbole

END215-2

Im Folgenden sind die Symbole dargestellt, die im Zusammenhang mit dem Werkzeug verwendet werden. Machen Sie sich vor der Benutzung des Werkzeugs unbedingt mit diesen Symbolen vertraut!



..... Lesen Sie die vorliegende Betriebsanleitung.



..... Ziehen Sie den Netzstecker heraus.



..... Tragen Sie eine Schutzbrille.



..... Halten Sie Hände und Finger vom Sägeblatt fern.



..... Nur für EU-Länder

Werfen Sie Elektrowerkzeuge nicht in den Hausmüll! Gemäß der Europäischen Richtlinie über Elektro- und Elektronik-Altgeräte und ihrer Umsetzung in nationales Recht müssen verbrauchte Elektrowerkzeuge getrennt gesammelt und einer umweltgerechten Wiederverwertung zugeführt werden.

Verwendungszweck

Das Werkzeug wurde entwickelt, um mit einem entsprechenden Sägeband in Holz oder Nichteisenmetalle zu schneiden.

Stromversorgung

ENF001-1

Das Werkzeug darf nur an eine Stromversorgung mit Einphasen-Wechselstrom mit der auf dem Typenschild angegebenen Spannung angeschlossen werden. Während der Verwendung muss dieses Werkzeug ordnungsgemäß geerdet sein, um Personen vor einem Stromschlag zu schützen. Verwenden Sie nur dreiadrige Verlängerungskabel mit Schuko-Steckern und Schuko-Steckdosen, die dem Schuko-Stecker des Werkzeugs entsprechen.

ALLGEMEINE SICHERHEITSHINWEISE

ENA001-2

⚠️ WARNUNG: Um Brände, Stromschläge und Personenschäden zu vermeiden, sind bei der Verwendung elektrischer Werkzeuge stets grundlegende Sicherheitshinweise zu beachten, zu denen auch die im Folgenden genannten gehören. Lesen Sie vor der Inbetriebnahme dieses Produkts alle Anweisungen durch, und bewahren Sie diese auf.

Zur Gewährleistung eines sicheren Betriebs gilt Folgendes:

- Halten Sie den Arbeitsbereich stets sauber und aufgeräumt.**
Bei unaufgeräumten Arbeitsbereichen und Werkbänken erhöht sich die Gefahr von Verletzungen.
- Sorgen Sie für ein geeignetes Arbeitsumfeld.**
Elektrowerkzeuge dürfen nicht im Regen ausgesetzt werden. Elektrowerkzeuge dürfen nicht an feuchten oder nassen Orten verwendet werden. Achten Sie auf eine ausreichende Beleuchtung des Arbeitsbereichs. Elektrowerkzeuge dürfen nicht an Orten verwendet werden, an denen Brand- oder Explosionsgefahr besteht.
- Schützen Sie sich vor einem Stromschlag.**
Vermeiden Sie Körperkontakt mit geerdeten Oberflächen wie Rohren, Kühlern, Heiz- und Kühlelementen.
- Halten Sie Kinder fern.**
Lassen Sie nicht zu, dass andere Personen das Werkzeug oder Verlängerungskabel berühren.
Andere Personen dürfen sich nicht im Arbeitsbereich aufhalten.
- Räumen Sie nicht verwendete Werkzeuge weg.**
Nicht verwendete Werkzeuge müssen an einem trockenen, unzugänglichen oder abgesperrten Ort außerhalb der Reichweite von Kindern aufbewahrt werden.
- Üben Sie keinen übermäßigen Druck auf das Werkzeug aus.**
Sie erzielen ein besseres und sichereres Ergebnis, wenn das Werkzeug im angegebenen Leistungsbereich betrieben wird.
- Verwenden Sie das geeignete Werkzeug.**
Versuchen Sie nicht, leistungsschwache Geräte, Werkzeuge oder Anbauteile für Arbeiten zu verwenden, für die ein Werkzeug mit höherer Leistung und Belastbarkeit erforderlich ist. Verwenden Sie Werkzeuge nur für Zwecke, für die sie entwickelt wurden; Sie dürfen beispielsweise keine Kreissäge zum Sägen von Baumstümpfen oder -stämmen verwenden.
- Tragen Sie geeignete Kleidung.**
Tragen Sie keine weiten Kleidungsstücke oder Schmuck, da sich diese in beweglichen Teilen des Werkzeugs verfangen können. Bei der Arbeit im Freien wird die Verwendung von Gummihandschuhen und rutschsicherem Schuhwerk empfohlen. Bedecken Sie langes Haar mit einer geeigneten Kopfbedeckung.
- Tragen Sie Schutzbrille und Gehörschutz.**
Tragen Sie darüber hinaus eine Gesichts- oder

Staubschutzmaske, wenn beim Sägen Staub oder Späne anfallen.

- Schließen Sie eine Absaugvorrichtung für Staub an.**
Falls Geräte zum Absaugen und Sammeln von Staub vorhanden sind, schließen Sie diese an und verwenden Sie diese Geräte ordnungsgemäß.
- Verwenden Sie das Netzkabel niemals zweckentfremdet.**
Tragen Sie das Werkzeug niemals am Kabel, und ziehen Sie nicht am Kabel, um den Stecker aus der Steckdose zu ziehen. Halten Sie das Kabel von Hitze, Öl und scharfen Gegenständen und Kanten fern.
- Achten Sie auf eine sichere Befestigung des Werkstücks.**
Sichern Sie das Werkstück mit Hilfe von Zwingen oder mit Hilfe eines Schraubstocks. Diese Methode ist sicherer als das Festhalten des Werkstücks mit der Hand. Darüber hinaus haben Sie beide Hände für die Bedienung des Werkzeugs frei.
- Beugen Sie sich nicht zu weit vor.**
Achten Sie jederzeit auf sicheren Stand und sicheres Gleichgewicht.
- Warten Sie Werkzeuge sorgfältig.**
Achten Sie auf scharfe und saubere Schneidwerkzeuge, damit die Leistung optimal genutzt wird und die Bedienung sicher ist. Befolgen Sie die Anweisungen hinsichtlich Schmiermittel und Austauschzubehör. Überprüfen Sie das Werkzeugkabel in regelmäßigen Abständen. Lassen Sie es im Fall einer Beschädigung von entsprechend autorisiertem Fachpersonal reparieren. Überprüfen Sie Verlängerungskabel in regelmäßigen Abständen, und tauschen Sie diese im Fall einer Beschädigung aus. Achten Sie darauf, dass die Griffe trocken, sauber und frei von Öl und Schmiermittel sind.
- Trennen Sie Werkzeuge von der Stromversorgung.**
Dies gilt bei Nichtgebrauch, vor der Wartung und beim Austausch von Zubehörteilen wie Sägeblättern, Meißeln und Schneideinsätzen.
- Entfernen Sie alle Spannschlüssel und alle sonstigen Schlüssel vom Werkzeug.**
Machen Sie es sich zur Gewohnheit, zu überprüfen, ob alle Spannschlüssel und sonstigen Schlüssel vom Werkzeug entfernt wurden, bevor Sie das Werkzeug einschalten.
- Sorgen Sie dafür, dass das Werkzeug nicht versehentlich eingeschaltet werden kann.**
Nehmen Sie den Finger vom Einschalter des Werkzeugs, wenn Sie ein an der Stromversorgung angeschlossenes Werkzeug tragen. Vergewissern Sie sich, dass der Schalter ausgeschaltet ist, bevor Sie das Werkzeug an die Stromversorgung anschließen.
- Verwenden Sie Verlängerungskabel, die für den Gebrauch im Freien zugelassen sind.**
Verwenden Sie nur Verlängerungskabel, die für den Gebrauch im Freien zugelassen sind, wenn Sie das Werkzeug im Freien nutzen.
- Seien Sie stets aufmerksam.**
Achten Sie auf jeden Ihrer Schritte. Verwenden Sie Ihren gesunden Menschenverstand.
Bedienen Sie das Werkzeug nicht, wenn Sie übermüdet sind.
- Überprüfen Sie Bauteile auf Beschädigung.**
Vor der weiteren Verwendung des Werkzeugs muss überprüft werden, ob eine beschädigte Schutzvorrichtung oder ein sonstiges beschädigtes Teil noch ordnungsgemäß funktioniert und den beabsichtigten Zweck erfüllt. Überprüfen Sie Ausrichtung und Freigängigkeit beweglicher Teile sowie die Teile und Befestigungen auf Beschädigungen und alle anderen Umstände, die eine ordnungsgemäße Funktion beeinträchtigen können. Sofern in dieser Bedienungsanleitung nicht anders angegeben ist, müssen beschädigte

Schutzvorrichtungen und sonstige beschädigte Teile durch entsprechend autorisiertes Fachpersonal ordnungsgemäß repariert oder ausgetauscht werden. Lassen Sie defekte Schalter durch entsprechend autorisiertes Fachpersonal reparieren. Verwenden Sie das Werkzeug nicht, wenn es sich nicht mit dem Schalter ein- und ausschalten lässt.

21. **Warnung**

Wenn Sie andere als in dieser Bedienungsanleitung oder im Katalog empfohlene Zubehörteile oder Anbauteile verwenden, besteht die Gefahr von Personenschäden.

22. **Lassen Sie Werkzeuge ausschließlich von qualifiziertem Fachpersonal reparieren.**

Dieses Elektrowerkzeug entspricht den gültigen Sicherheitsvorschriften. Reparaturen dürfen ausschließlich von qualifiziertem Fachpersonal unter Verwendung von Originalersatzteilen vorgenommen werden. Andernfalls besteht eine erhebliche Gefährdung des Benutzers.

SPEZIELLE SICHERHEITSHINWEISE ZU DIESEM WERKZEUG

BEWAHREN SIE DIESE ANLEITUNG SORGFÄLTIG AUF.

1. **Tragen Sie während der Arbeit stets eine Schutzbrille.**
2. **Betreiben Sie dieses Werkzeug nicht in der Nähe leicht entzündlicher Flüssigkeiten oder Gase.**
3. **Tragen Sie immer einen Mundschutz oder eine Staubmaske.**
4. **Überprüfen Sie das Sägeband vor Gebrauch sorgfältig auf Risse oder sonstige Beschädigungen. Wechseln Sie ein Sägeband mit Rissen oder sonstigen Beschädigungen unverzüglich aus.**
5. **Verwenden Sie ausschließlich die vom Hersteller empfohlenen Sägebänder, die der Norm EN847-1 entsprechen.**
6. **Verwenden Sie nur die in dieser Anleitung empfohlenen Zubehörteile. Die Verwendung ungeeigneter Zubehörteile, wie z.B. Trennschleifscheiben, kann zu Verletzungen führen.**
7. **Wählen Sie ein für das zu schneidenden Material geeignetes Sägeband aus.**
8. **Verwenden Sie keine Sägebänder aus HSS-Stahl.**
9. **Achten Sie darauf, dass das Sägeband immer scharf und sauber ist, um den Schallpegel niedrig zu halten.**
10. **Schneiden Sie keine Metallgegenstände wie Nägel oder Schrauben. Untersuchen Sie das Werkstück auf Nägel, Schrauben und andere Fremdmaterialien, und entfernen Sie diese ggf. vor Arbeitsbeginn.**
11. **Entfernen Sie Schraubenschlüssel, Sägeabfälle usw. vom Tisch, bevor Sie das Werkzeug einschalten.**
12. **Tragen Sie während des Betriebs NIEMALS Handschuhe.**
13. **Halten Sie Ihre Hände vom Sägeband fern.**
14. **Stehen Sie NIEMALS in Schnittrichtung des Sägebands und halten Sie alle Personen aus diesem Bereich fern.**
15. **Lassen Sie das Werkzeug erst einige Zeit ohne Last hochlaufen, bevor Sie das zu bearbeitende Werkstück an das Werkzeug ansetzen. Achten Sie auf Vibrationen und Schlagen; diese Phänomene können auf ein beschädigtes oder nicht fachgerecht eingebautes Sägeband hindeuten.**
16. **Tauschen Sie einen verschlissenen Tischeinsatz aus.**
17. **Schließen Sie die Bandsäge beim Sägen von Holz an eine Staubabsaugvorrichtung an.**

18. Betreiben Sie die Maschine nicht, wenn die Tür oder der Sägebandschutz geöffnet ist.

19. Achten Sie darauf, dass die Auswahl des Sägebandes und die Geschwindigkeit vom zu schneidenden Material abhängen.

20. Reinigen Sie das Sägeband ausschließlich bei Stillstand.

INSTALLATION (Abb. 1 und 2)

Sichern des Maschinenständers

Wenn die Bandsäge während des Betriebs dazu neigt, zu kippen, zu rutschen oder sich zu bewegen, muss der Maschinenständer der Bandsäge am Fussboden gesichert werden. **(Abb. 3 bis 7)**

- Bringen Sie nach der Befestigung des Maschinenständers den Griff und die Räder an. **(Abb. 8)**

So befestigen Sie den Sägemehlbehälter

Der Sägemehlbehälter wird an die Unterseite des Sägebühnen befestigt. Setzen Sie dazu die Tellerfeder (der Arretierung) an die Innenkante der Öffnung für die Positionierung an, stecken Sie beide Ansätze der Staubbox auf die Schienen und schieben Sie den Behälter nach außen.

Wenn die Vorderkante der Arretierungsfeder in die Arretierungsöffnung der Maschine einrastet, ist der Sägemehlbehälter ordnungsgemäß befestigt. **(Abb. 9 und 10)** Befestigen Sie den Tisch mit von vier Sechskantschrauben am Kipplager. **(Abb. 11)**

Für den Versand wurde ein Stift eingesetzt, ziehen Sie diesen heraus. **(Abb. 12)**

Einstellen der Führungsschiene (Abb. 13)

- Befestigen Sie die Führungsschiene mit Hilfe von vier Flügelschrauben und Unterlegscheiben am Tisch.

FUNKTIONSBESCHREIBUNG

Bedienung des Schalters (Abb. 14)

⚠ ACHTUNG:

- Schalten Sie vor dem Beginn der Arbeiten das Werkzeug unbedingt einmal ein und wieder aus.

Die Schalterabdeckung kann leicht geöffnet werden, indem sie nach oben geschoben wird.

Betätigen Sie den EIN-Schalter (I), um das Werkzeug zu starten.

Um das Werkzeug auszuschalten, betätigen Sie den AUS-Schalter (O) oder die Schalterabdeckung.

Einschalten der Beleuchtung

Die Lampen der Arbeitsplatzbeleuchtung können Sie einschalten, indem Sie den Schalter für die Beleuchtung in die obere Stellung (I) bringen. Zum Ausschalten der Beleuchtung bringen Sie den Schalter in die untere Stellung (O).

Heben Sie zum Starten des Werkzeugs den Hebelschalter.

(Abb. 15)

Zum Stoppen des Werkzeugs senken Sie den Hebelschalter.

Schiebestock (Abb. 16)

Der Schiebestock dient als Verlängerung der Hand zum Schutz vor versehentlicher Berührung des Sägebands.

Wenn der Abstand zwischen Sägeband und einem Parallelanschlag geringer als 150 mm ist, muss immer dieser Schiebestock genutzt werden.

Führen Sie den Schiebestock in einem Winkel von 20° bis 30° zum Tisch der Säge. **(Abb. 17)**

Bei Nichtverwendung kann der Schiebestock an einer speziellen Halterung für den Schiebestock am Rahmen der Bandsäge aufbewahrt werden.

Ersetzen Sie einen beschädigten Schiebestock durch einen neuen.

Gehrungsfugenlehre (Abb. 18)

Die Gehrungslehre wird von der Vorderseite des Tisches aus in die Nut des Tisches eingesetzt.

Für Gehrungsschnitte kann die Gehrungslehre um 60° in beide Richtungen gedreht werden.

Für Gehrungen von 45° und 90° sind spezielle Anschläge vorhanden.

So stellen Sie einen Gehrungswinkel ein: Lösen Sie den Arretierhebel durch Drehen gegen den Uhrzeigersinn.

⚠ **WARNUNG:**

Beim Schneiden mit der Gehrungslehre muss der Arretierhebel der Lehre ordnungsgemäß festgezogen sein.

Nach dem Lösen des Einstellrads können Sie den Hilfsanschlag abnehmen und umdrehen.

Befestigen des Parallelanschlags (Abb. 19)

Der Parallelanschlag kann zu beiden Seiten des Sägebandes genutzt werden. Beim Umsetzen des Parallelanschlags von einer Seite des Sägebandes auf die andere Seite muss der Parallelanschlag umgedreht werden.

Umdrehen des Anschlags (Abb. 20)

1. Lösen Sie den Knauf (B) der Halteklemme.
2. Ziehen Sie die Halteklemme vom Anschlag ab.
3. Lösen Sie den Knauf (A).
4. Heben Sie den Anschlag vom Anschlaghalter.
5. Drehen Sie den Anschlag um und schieben Sie den Anschlag wieder auf den Anschlaghalter.
6. Ziehen Sie Knauf (A) fest.
7. Schieben Sie die Halteklemme am Anschlag.

Befestigen des Parallelanschlags

1. Setzen Sie den Parallelanschlag auf die Führungsschiene.
2. Ziehen Sie den Arretierhebel des Parallelanschlags fest.
3. Lösen Sie den Knauf (B) der Halteklemme.
4. Schieben Sie die Halteklemme an die hintere Kante des Tisches.
5. Ziehen Sie den Knauf (B) fest.

Zum Schneiden von dünnem Material kann der Anschlag abgesenkt werden: **(Abb. 21 und 22)**

1. Lösen Sie den Knauf (B) der Halteklemme.
2. Ziehen Sie die Halteklemme vom Anschlag ab.
3. Lösen Sie den Knauf (A).
4. Heben Sie den Anschlag vom Anschlaghalter.
5. Schieben Sie den Knauf (A) vom Anschlag ab.
6. Drehen Sie den Anschlag um 90°.
7. Setzen Sie den Knauf (A) in die andere Nut des Anschlags ein.
8. Befestigen Sie den Anschlag wieder am Anschlaghalter.
9. Ziehen Sie Knauf (A) fest.
10. Schieben Sie die Halteklemme am Anschlag.

Nach dem Verringern der Höhe des Anschlags hat sich auch der Nullpunkt geändert. Wenn sich der Parallelanschlag auf der linken Seite des Bandes befindet, stellen Sie den Nullpunkt wieder ein, indem Sie die Führungsschiene nach links verschieben.

MONTAGE

Wechseln des Sägebandes

⚠ **ACHTUNG:**

- Auch bei Stillstand des Sägebandes kann es bei Berührung des Sägebandes zu Verletzungen kommen.
 - Ein Sägeband ist ein gefährlicher Gegenstand. Tragen Sie beim Umgang mit Sägebändern, z. B. beim Entnehmen aus der Verpackung, beim Ummontieren oder beim Austauschen von Sägebändern unbedingt Schutzhandschuhe.
1. Lösen Sie die zwei Flügelschrauben an der rechten Führungsschiene und schieben Sie die rechte Führungsschiene nach rechts. **(Abb. 23)**
 2. Drehen Sie jeweils den Drehverschluss (C) an der oberen und unteren Abdeckung gegen den Uhrzeigersinn bis zum Anschlag.
 3. Lösen Sie jeweils den Drehverschluss (D) an der oberen und unteren Abdeckung.
 4. Öffnen Sie sowohl die obere als auch die untere Abdeckung der Maschine. **(Abb. 24)**
 5. Erfassen Sie den Griff und ziehen Sie den Staubschutz nach oben ab. **(Abb. 25)**
 6. Öffnen Sie die untere Sägebandabdeckung. **(Abb. 27)**
 7. Bringen Sie die obere Sägebandführung in die tiefste Position. **(Abb. 26)**
 8. Lösen Sie den Hebel der Schnellentspannung bis das Sägeband keine Spannung mehr hat. **(Abb. 28)**
 9. Nehmen Sie das Sägeband heraus, indem Sie das Band durch.
 - den Schlitz im Säge Tisch,
 - den Bandschutz der oberen Sägebandführung.
 - die Bandabdeckung am Sägebandgehäuse führen.
 10. Setzen Sie ein neues Sägeband ein. Achten Sie auf korrekte Positionierung: die Zähne des Bandes müssen in Richtung der Vorderseite (mit den Türen) der Säge zeigen.
 11. Legen Sie das Sägeband mittig auf die Gummibeschichtung der Sägebandrollen auf.
 12. Ziehen Sie den Schnellentspannhebel soweit fest, dass das Sägeband nicht mehr von den Bandrollen rutscht.
 13. Schließen Sie den unteren Sägebandschutz.
- #### ⚠ **ACHTUNG:**
- Schließen Sie die untere Abdeckung erst, nachdem Sie den unteren Sägebandschutz geschlossen haben.
14. Bringen Sie die rechte Führungsschiene wieder in seine Ausgangsposition.
 15. Bringen Sie den Staubschutz wieder an. **(Abb. 29)**
 16. Schließen Sie beide Abdeckungen.
 17. Drehen Sie den Drehverschluss (C) im Uhrzeigersinn bis zum Anschlag.
 18. Ziehen Sie den Drehverschluss (D) fest.
 19. Führen Sie anschließend Folgendes aus:
 - Spannen Sie das Sägeband (siehe Abschnitt „Spannen des Sägebandes“ unter „FUNKTIONSBESCHREIBUNG“).
 - Richten Sie das Sägeband aus (siehe Abschnitt „Ausrichten des Sägebandes“ unter „MONTAGE“).
 - Richten Sie die Bandführungen aus (siehe „Ausrichten der oberen Bandführung“ unter „FUNKTIONSBESCHREIBUNG“).
 - Lassen Sie die Säge mindestens 1 Minute laufen.
 - Schalten Sie die Säge aus, ziehen Sie den Netzstecker und überprüfen Sie nochmals alle Einstellungen.

Einstellen der Schneidgeschwindigkeit (Abb. 30)

1. Öffnen Sie die untere Abdeckung.
2. Entspannen Sie den Antriebsriemen durch Drehen des Einstellrads im Uhrzeigersinn.
3. Legen Sie den Antriebsriemen auf die entsprechende Riemenscheibe an der Antriebsrolle (untere Sägebandrolle) und auf die entsprechende Riemenscheibe am Motor auf – beachten Sie die Abbildung innen auf der unteren Abdeckung.

⚠ ACHTUNG:

Der Antriebsriemen muss entweder auf beiden vorderen Riemenscheiben oder auf beiden hinteren Riemenscheiben aufliegen. Der Kielriemen darf niemals diagonal aufliegen.

Einstellrad zum Spannen des Riemens (Abb. 31)

Mit dem Einstellrad können die Spannung des Riemens bei Bedarf korrigieren:

- Durch Drehen des Einstellrads im Uhrzeigersinn verringert sich die Spannung des Antriebsriemens.
- Durch Drehen des Einstellrads entgegen dem Uhrzeigersinn erhöht sich die Spannung des Antriebsriemens.

Spannen Sie den Antriebsriemen durch Drehen des Einstellrads entgegen dem Uhrzeigersinn (der Antriebsriemen sollte sich in der Mitte zwischen den Riemenscheiben um ca. 10 mm durchdrücken lassen). (Abb. 32)

Schließen Sie die untere Abdeckung.

FUNKTIONSBESCHREIBUNG

Spannen des Sägebandes (Abb. 33)

⚠ ACHTUNG:

Wenn das Sägeband zu straff gespannt wird, kann das Sägeband reißen. Bei zu geringer Spannung des Sägebands kann Antriebsrolle durchrutschen und das Sägeband kann anhalten.

1. Heben Sie die obere Bandführung vollständig nach oben. Verwenden Sie die Skala als Führung, prüfen Sie auch das Sägeband und drehen Sie den Knauf zum Einstellen der Spannung. (Prüfen Sie nach dem Einstellen die Spannung, wie in Position 2 dargestellt.)
2. Überprüfung der Spannung des Sägeblatts:
 - Überprüfen Sie die Spannung des Sägebands, indem Sie in der Mitte zwischen Tisch und oberer Bandführung mit dem Finger seitlich auf das Sägeband drücken (das Band sollte sich nicht mehr als 1 bis 2 mm durchdrücken lassen).
 - Überprüfen Sie die Einstellung am Bandspannungsanzeiger. Die Skala zeigt die korrekte Spannung des Bandes in Abhängigkeit von der Breite des Bandes an.
3. Korrigieren Sie die Spannung des Bandes gegebenenfalls:
 - Durch Drehen des Einstellknaufts im Uhrzeigersinn erhöht sich die Spannung des Sägebandes.
 - Durch Drehen des Einstellknaufts entgegen dem Uhrzeigersinn verringert sich die Spannung des Sägebandes.

Ausrichten des Sägebandes (Abb. 34)

Wenn das Sägeband nicht in der Mitte der Gummibeschichtung der Bandrollen läuft, muss die Spurführung des Bandes durch Verstellen der Neigung der oberen Sägebandrolle korrigiert werden:

1. Lösen Sie den Feststellknauf.
2. Drehen Sie das obere Rad manuell und achten Sie darauf, dass Sie das Sägeband nicht berühren. (Abb. 35)

3. Drehen Sie den Einstellknauf im Uhrzeigersinn, wenn das Sägeband zu weit in Richtung Vorderseite der Säge läuft.
 - Drehen Sie den Einstellknauf entgegen dem Uhrzeigersinn, wenn das Sägeband zu weit in Richtung Rückseite der Säge läuft.
4. Ziehen Sie nach dem Ausrichten des Sägebands unbedingt den Feststellknauf wieder an.

Hebel für Schnellentspannung (Abb. 36)

Mit dem Hebel für die Schnellentspannung kann das Sägeblatt entspannt werden.

In Uhrzeigersinn: Spannung wird verringert

Entgegen Uhrzeigersinn: Spannung wird erhöht

Ausrichten der oberen Sägebandführung (Abb. 37)

Die Höhe der oberen Bandführung muss ausgerichtet werden: vor jedem Schneidvorgang auf die Höhe des Werkstücks (die obere Bandführung sollte auf eine Höhe von ca. 3 mm über dem Werkstück eingestellt werden),

- nach Einstellungen am Sägeband und am Säge Tisch (z. B. nach einem Wechsel des Sägebands, nach dem Spannen des Sägebands nach dem Einstellen des Säge Tisches).

⚠ ACHTUNG:

Vor dem Einstellen der oberen Bandführung und der Neigung des Säge Tisches:

- schalten Sie die Maschine AUS,
- warten Sie, bis das Sägeband vollständig zum Stillstand gekommen ist.

- Lösen Sie den Feststellknauf und stellen Sie die obere Bandführung am Einstellknauf auf die gewünschte Höhe ein. Stellen Sie sicher, dass Sie nach der Einstellung die Sicherungsmutter wieder festziehen.
 - Schneiden Sie niemals mehrere Werkstücke gleichzeitig - auch niemals aus mehreren Einzelstücken bestehende Bündel. Wenn einzelne Stücke unkontrolliert vom Sägeband erfasst werden, kann es zu Verletzungen kommen.
1. Lösen Sie Bolzen C und stellen Sie das Rotorlager so ein, dass sich die Führungsrolle 1 bis 2 mm von der Rückseite des Sägebands weg befindet. (Abb. 38 bis 40)
 2. Lösen Sie Bolzen A und stellen Sie die Stützrolle auf eine Position von 0,5 mm von der Rückseite des Sägebands weg ein.
 3. Lösen Sie Bolzen B und stellen Sie die Führungsrolle auf eine Position von 0,5 mm vom Sägeband weg ein.

Ausrichten der unteren Sägebandführung (Abb. 41)

Die untere Sägebandführung besteht aus:

- einer Stützrolle (die das Sägeband an der Rückseite stützt),
- zwei Führungsrollen (die das Sägeband seitlich stützen und führen).

Nach jedem Wechsel des Sägebands und nach jedem Einstellen der Spurführung des Bandes müssen diese Bauteile nachgestellt werden.

Hinweis:

Überprüfen Sie Stützrollen und Führungsrollen regelmäßig auf Verschleiß und tauschen Sie bei Bedarf immer beide Führungsrollen gleichzeitig aus.

- Öffnen Sie die untere Abdeckung und die untere Sägebandführung.
- Lösen Sie die Sechskantschraube, bewegen Sie die gesamte untere Bandführung und passen Sie die Führungsrolle auf eine

Position von 1 oder 2 mm von der Unterkante des jeweiligen Blattes an.

Einstellen der Stützrolle

1. Lösen Sie Bolzen A.
2. Stellen Sie die Position der Stützrolle ein (Abstand Stützrolle zu Sägeband = 0,5 mm - bei Bewegungen des Sägebands von Hand darf das Sägeband die Stützrolle nicht berühren).
3. Ziehen Sie Bolzen A fest.

Einstellen der Führungsrollen (Abb. 42)

1. Lösen Sie Bolzen B.
2. Legen Sie die Führungsrollen an das Sägeband an.
3. Drehen Sie die Sägebandrolle mehrere Male von Hand im Uhrzeigersinn, um die Führungsrollen in die korrekte Position zu bringen. Lösen Sie Bolzen A und stellen Sie die Stützrolle auf eine Position von 0,5 mm von der Rückseite des Sägebands weg ein. Beide Führungsrollen sollten das Sägeband GERADE BERÜHREN.
4. Ziehen Sie Bolzen B wieder fest.
5. Schließen Sie den unteren Sägebandschutz.
6. Schließen Sie die untere Abdeckungstür.

Ausrichten des Sägebades im rechten Winkel zum Sägeband (Abb. 43 und 44)

1. Heben Sie die obere Bandführung vollständig nach oben (siehe „Betrieb“).
2. Überprüfen Sie die Spannung des Sägebands (siehe „FUNKTIONSBESCHREIBUNG“).
Drehen Sie den Griff im Uhrzeigersinn, um den Tisch entgegen dem Uhrzeigersinn zu neigen; drehen Sie den Griff entgegen dem Uhrzeigersinn, um den Tisch im Uhrzeigersinn zu neigen.
3. Lösen Sie den Arretierhebel.
4. Richten Sie den Tisch mit Hilfe eines Anschlagwinkels rechtwinklig zum Sägeband aus, indem Sie den Griff zum Einstellen des Tisches drehen, und ziehen Sie den Arretierhebel wieder fest.
5. Stellen Sie die Anschlagschraube so ein, dass sie das Gehäuse der Säge berührt.

BETRIEB (Abb. 45 und 46)

⚠ Gefahr:

Um Verletzungen möglichst auszuschließen, sind beim Bedienen und Betreiben der Säge die folgenden Sicherheitshinweise zu beachten:

⚠ ACHTUNG:

- Berühren Sie beim Ausführen des Schnitts auf keinen Fall das Sägeband.
- Tragen Sie beim Sägen eine Schutzbrille, jedoch keine Handschuhe.
- Sägen Sie immer nur ein einzelnes Werkstück gleichzeitig.
- Halten Sie das Werkstück immer sicher auf dem Sägebadeschneid.
- Verklemmen Sie die Werkstücke nicht.
- Versuchen Sie nicht, das Sägeband zu verlangsamen oder anzuhalten, indem Sie das Werkstück seitlich gegen das Sägeband drücken.
- Verwenden Sie beim Sägen unmittelbar gegen den Anschlag einen Schiebstock.
- Verwenden Sie bei den entsprechenden Arbeiten die folgenden Hilfsmittel:
 - Schiebstock - bei Abstand zwischen Parallelanschlag und Sägeband ≤ 150 mm,

- Sägebock - wenn lange Werkstücke nach dem Ausführen des Schnittes vom Sägebadeschneid fallen können,
- Staubsammler,
- beim Schneiden von Rundmaterial eine geeignete Spannvorrichtung, um ein Drehen des Werkstücks zu verhindern, wie in der Abbildung dargestellt,
- eine geeignete Führung zum sicheren Abstützen von dünnen Werkstücken bei Hochkantschnitten.
- Handschuhe beim Umgang mit dem Sägeband und mit rauen Materialien.

- Überprüfen Sie vor dem Beginn der Arbeiten folgende Bauteile auf ordnungsgemäßen Zustand:
 - Sägeband,
 - untere und obere Bandführung.
- Ersetzen Sie beschädigte Teile sofort.
- Nehmen Sie eine korrekte Arbeitsposition ein (die Zähne des Sägebands müssen in Richtung des Bedieners zeigen).

Sägen

⚠ WARNUNG:

Es besteht die Gefahr von Rückschlägen (das Werkstück wird vom Sägeband erfasst und in Richtung des Bedieners geschleudert). Verklemmen Sie die Werkstücke nicht.

- Wählen Sie einen Parallelanschlag und eine Neigung des Tisches aus, die für die vorzunehmenden Arbeiten geeignet sind.
- Stellen Sie die obere Bandführung auf eine Höhe von 3 mm über dem Werkstück ein.

Hinweis:

Führen Sie immer erst einen Probeschnitt mit einem Abfallstück aus, um die Einstellungen zu überprüfen, und nehmen Sie ggf. Korrekturen vor, bevor Sie das eigentliche Werkstück sägen.

- Platzieren Sie das Werkstück an das Sägeband.
- Stecken Sie den Stecker der Maschine in die Steckdose.
- Schalten Sie die Säge ein.
- Schneiden Sie das Werkstück in einem Zug durch.
- Schalten Sie die Maschine aus, wenn unmittelbar nach dem Schnitt keine weiteren Schnitte auszuführen sind.
- Verwenden Sie einen separat erworbenen Untertisch.

Neigen des Tisches (Abb. 47)

⚠ ACHTUNG:

Platzieren Sie beim Gehrungsschnitt mit dem geneigten Tisch die Führung auf dem unteren Teil des Tisches.

Nach dem Lösen des Arretierhebels kann der Tisch stufenlos um bis zu 45° bezüglich des Sägebands geneigt werden.

Drehen Sie den Griff im Uhrzeigersinn, um den Tisch entgegen dem Uhrzeigersinn zu neigen; drehen Sie den Griff entgegen dem Uhrzeigersinn, um den Tisch im Uhrzeigersinn zu neigen.

Anschließen eines Staubsaugers (Abb. 48 und 49)

Wenn Sie einen Makita-Staubsauger oder Staubsammler an das Werkzeug anschließen, können Sie das Anfallen von zu viel Staub bei den Arbeiten vermeiden.

Falls ein Stababzug an den Sammler mit großer Öffnung angeschlossen wird, passen Sie den Staubsammler neu an, um zu gewährleisten, dass er tatsächlich über eine große Öffnung verfügt.

So setzen Sie die Maschine um (Abb. 50)

- Ziehen Sie den Griff nach oben und setzen Sie die Maschine um.
- Beim Transport muss der Sägebandschutz ganz nach unten und möglichst nahe zum Tisch positioniert werden.

- Heben oder transportieren Sie die Säge nicht an den Schutzabdeckungen.

⚠️ ACHTUNG:

- Wenn der Griff zu weit hochgehoben wird, kann die Maschine umkippen.

WARTUNG

⚠️ ACHTUNG:

- Schalten Sie das Werkzeug aus und ziehen Sie immer den Netzstecker, bevor Sie Kontrollen oder Wartungsarbeiten am Werkzeug vornehmen.

HINWEIS:

- Verwenden Sie zum Reinigen niemals Kraftstoffe, Benzin, Verdünnern, Alkohol oder ähnliches. Dies kann zu Verfärbungen, Verformungen oder Rissen führen.

Reinigung

Reinigen Sie das Werkzeug regelmäßig von Sägemehl und -spänen. Reinigen Sie sorgfältig den Sägebandschutz und die beweglichen Teile im Inneren der Bandsäge.

Schmierung

Damit die Bandsäge in einwandfreiem Zustand bleibt und die Lebensdauer verlängert wird, ölen oder fetten Sie die beweglichen und drehbaren Teile regelmäßig.

Achten Sie darauf, dass das Sägeblatt immer scharf und sauber ist, um den Geräuschpegel niedrig zu halten.

Zur Gewährleistung von SICHERHEIT und ZUVERLÄSSIGKEIT des Produkts sollten Reparaturen, Wartungsarbeiten und Einstellungen nur durch von Makita autorisierte Servicecenter durchgeführt und ausschließlich Makita-Ersatzteile verwendet werden.

SONDERZUBEHÖR

⚠️ ACHTUNG:

- Für das in diesem Handbuch beschriebene Makita-Gerät werden die folgenden Zubehör- und Zusatzteile empfohlen. Bei Verwendung anderer Zubehör- und Zusatzteile kann es zu Verletzungen kommen. Verwenden Sie Zubehör- und Zusatzteile nur für den vorgesehenen Zweck.

Informationen zu diesem Zubehör erhalten Sie von Ihrem Makita-Servicecenter.

- Gestell für Bandsäge
- Inbusschlüssel
- Parallelanschlag
- Gehrungslehre
- Anbaugerät für Rundschnitte
- Erweiterungstisch
- Anbaugerät für Schleifband

HINWEIS:

- Einige der in der Liste aufgeführten Elemente sind dem Werkzeugpaket als Standardzubehör beigelegt. Diese können in den einzelnen Ländern voneinander abweichen.

Nur für europäische Länder

Geräuschpegel

Die typischen A-bewerteten Schallpegel betragen:

Schalldruckpegel: 81 dB (A)

Schalleistungspegel: 94 dB (A)

Abweichung (K): 3 dB (A)

Tragen Sie Gehörschutz.

Diese Werte wurden entsprechend der Norm EN61029 ermittelt.

EG-KONFORMITÄTSERKLÄRUNG

Nur für europäische Länder

Die EG-Konformitätserklärung liegt dieser Betriebsanleitung als Anhang A bei.

POLSKI (Oryginalna instrukcja)

Objaśnienia do widoku ogólnego

- | | | |
|--|------------------------------------|--|
| 1. Koło | 27. Podkładka | 57. Dźwignia szybkiego zwolnienia |
| 2. Górna pokrywa | 28. Śruba z gniazdem sześciokątnym | 58. Dolne koło piły taśmowej |
| 3. Włącznik oświetlenia | 29. Sprężyna | 59. Koło pasowe silnika |
| 4. Wylącznik | 30. Otwór mocujący | 60. Pas napędowy |
| 5. Prowadnica wzdluzna | 31. Otwór ustalający | 61. Koło pasowe koła napędowego |
| 6. Dolna pokrywa | 32. Stolik roboczy | 62. Ok. 10 mm |
| 7. Uchwyt do przenoszenia | 33. Śruby sześciokątne | 63. Pokrętko blokady |
| 8. Pojemnik na zebrany pył | 34. Wspornik | 64. Pokrętko regulacji |
| 9. Pokrętko (napinanie brzeszczotu) | 35. Sworzeń | 65. Łożysko prowadzące |
| 10. Pokrętko (C) | 36. Śruba motylkowa | 66. Śruba A |
| 11. Pokrętko (D) | 37. Reling prowadzący | 67. Odległość łożyska prowadzącego od dolnej krawędzi ostrza |
| 12. Pokrętko (regulacja prowadnicy brzeszczotu) | 38. Pokrywa wyłącznika | 68. Śruba C |
| 13. Pokrętko (mocowanie prowadnicy brzeszczotu) | 39. Wylącznik | 69. Śruba B |
| 14. Górna prowadnica brzeszczotu | 40. Włącznik | 70. Mocowanie łożyska |
| 15. Brzeszczot | 41. Wł. (ON) | 71. Łożysko oporowe |
| 16. Pokrętko (napinanie pasa klinowego) | 42. Popychacz | 72. Wkręt |
| 17. Pas napędowy | 43. Przymiar do cięcia ukośnego | 73. Nakrętka |
| 18. Stojak | 44. Rękojeść blokady | 74. Duży otwór kolektora |
| 19. Kółko | 45. Pokrętko | 75. Mały otwór kolektora |
| 20. Dźwignia blokady (mocowanie pochylenia stolika) | 46. Pokrętko (A) | 76. Urządzenie do odprowadzania pyłu o małym otworze (zamontowany na modelu głównym) |
| 21. Otwór wylotowy pyłu | 47. Prowadnica | 77. Urządzenie do odprowadzania pyłu o dużym otworze (wymienne) |
| 22. Dźwignia szybkiego zwolnienia | 48. Dźwignia blokady | 78. Szczelina |
| 23. Pokrętko (regulacja prowadzenia narzędzia tnącego) | 49. Mocowanie prowadnicy | 79. Brzeg |
| 24. Rękojeść (regulacja pochylenia stolika) | 50. Pokrętko (B) | 80. Śruba sześciokątna |
| 25. Rama | 51. Zacisk mocujący | |
| 26. Uchwyt | 52. Śruby motylkowe | |
| | 53. Osłona przeciwpylowa | |
| | 54. Brzeszczot piły | |
| | 55. Obudowa piły | |
| | 56. Dolna osłona ostrza | |

DANE TECHNICZNE

Model	LB1200F	
Rozmiar koła	305 mm	
Maks. wydajność cięcia	165 mm	
Prędkość bez obciążenia	Wysoka	840 min ⁻¹ (50 Hz)/1 040 min ⁻¹ (60 Hz)
	Niska	420 min ⁻¹ (50 Hz)/520 min ⁻¹ (60 Hz)
Prędkość cięcia	Wysoka	13,3 m/s (800 m/min) (50 Hz)/16,7 m/s (1 000 m/min) (60 Hz)
	Niska	6,7 m/s (400 m/min) (50 Hz)/8,3 m/s (500 m/min) (60 Hz)
Rozmiar brzeszczotu	Obwód 2 240 mm x Szerokość 6 mm, 13 mm, 16 mm	
Wymiary całkowite	615 mm x 775 mm x 1 600 mm	
Rozmiar stolika roboczego	560 mm x 400 mm	
Masa netto	81,2 kg	

- Ze względu na ciągłe prace badawczo-rozwojowe, podane tu dane techniczne mogą ulec zmianie bez uprzedniego powiadomienia.
- W innych krajach urządzenie może mieć odmienne parametry techniczne.
- Masa obliczona zgodnie z procedurą EPTA 01/2003

Symbole

END215-2



..... Dotyczy tylko państw UE

Poniżej przedstawiono symbole stosowane w przypadku omawianego narzędzia. Przed rozpoczęciem jego użytkowania należy się upewnić, że są one zrozumiałe.



..... Należy przeczytać instrukcję obsługi.



..... Wyciągnąć wtyczkę zasilającą.



..... Należy nosić okulary ochronne.



..... Nie wolno zbliżać dłoni lub palców do brzeszczotu.

Nie wyrzucaj urządzeń elektrycznych wraz z odpadami z gospodarstwa domowego!
Zgodnie z Europejską Dyrektywą w sprawie zużytego sprzętu elektrycznego i elektronicznego oraz dostosowaniem jej do prawa krajowego, zużyte urządzenia elektryczne należy składować osobno i przekazywać do zakładu recyklingu działającego zgodnie z przepisami dotyczącymi ochrony środowiska.

Przeznaczenie

Narzędzie przeznaczone jest do przecinania drewna lub metali nieżelaznych za pomocą odpowiedniego brzeszczotu piły.

Zasilanie

ENF001-1

Narzędzie wolno podłączać tylko do źródeł zasilania o napięciu zgodnym z napięciem podanym na tabliczce znamionowej. Można je zasilac wyłącznie jednofazowym prądem przemiennym. Narzędzie musi być uziemione podczas użytkowania, co chroni operatora przed porażeniem prądem elektrycznym. Należy stosować tylko trzyżyłowe przewody przedłużające, które posiadają wtyczki z trzema wtykami oraz gniazda z trzema wpustami, które będą pasować do wtyczki narzędzia.

ZASADY BEZPIECZEŃSTWA

ENA001-2

⚠ OSTRZEŻENIE: Podczas użytkowania elektronarzędzi należy zachowywać podstawowe środki ostrożności, aby zmniejszyć ryzyko pożaru, porażenia prądem i doznania obrażeń ciała. Między innymi trzeba przestrzegać poniższych zasad. Należy przeczytać instrukcję przed rozpoczęciem użytkowania urządzenia i zachować ją do przyszłego wykorzystania.

W celu zapewnienia bezpiecznej pracy należy:

- 1. Dbać o czystość w miejscu pracy.**
Nieporządek na stołach warsztatowych i wokół nich sprzyja wypadkom.
- 2. Uwzględnić warunki pracy.**
Elektronarzędzia należy chronić przed deszczem. Nie należy używać elektronarzędzi w miejscach wilgotnych lub mokrych. Należy dbać o dobre oświetlenie w miejscu pracy. Nie wolno używać elektronarzędzi, gdy mogą one spowodować pożar lub wybuch.
- 3. Zabezpieczyć się przed porażeniem prądem elektrycznym.**
Unikać kontaktu z uziemionymi powierzchniami (np. rury, grzejniki, kuchenki, lodówki).
- 4. Chronić przed dziećmi.**
Nie zezwalać osobom postronnym na dotykanie narzędzia bądź przedłużacza.
Osoby te powinny przebywać w bezpiecznej odległości od miejsca pracy.
- 5. Nieużywane narzędzia należy właściwie przechowywać.**
Nieużywane narzędzia powinny być przechowywane w suchym miejscu, na odpowiedniej wysokości lub w zamkniętej przestrzeni, aby dzieci nie miały do nich dostępu.
- 6. Nie przeciążać narzędzia.**
Praca przy znamionowym obciążeniu pozwala wykonać zadanie lepiej i bezpieczniej.
- 7. Używać właściwego narzędzia.**
Niewielkich narzędzi lub przystawek nie wolno wykorzystywać do zadań wymagających wysokowydajnych urządzeń. Nie wolno wykorzystywać narzędzi niezgodnie z ich przeznaczeniem; np. pilarek tarczowych do cięcia gałęzi lub kłód drewna.
- 8. Należy się właściwie ubierać.**
Nie należy zakładać luźnych części garderoby ani biżuterii. Mogą one zostać pochwycone przez ruchome części urządzenia. Podczas pracy na otwartym powietrzu zaleca się noszenie gumowych rękawic i obuwia przeciwpoślizgowego. Długie włosy należy schować pod odpowiednim nakryciem głowy.
- 9. Należy stosować okulary ochronne i ochraniacze słuchu.**
Jeżeli podczas cięcia powstaje pył, należy założyć również maskę twarzą lub przeciwpyłową.
- 10. Stosować urządzenie do usuwania pyłu.**
Jeżeli narzędzie jest przystosowane do podłączania urządzeń do odsysania lub odbierania pyłu, należy upewnić się, że są one prawidłowo podłączone i właściwie używane.
- 11. Przewodu zasilającego należy używać wyłącznie zgodnie z jego przeznaczeniem.**
Nie wolno przenosić narzędzia trzymając za przewód ani

ciągnąć za przewód, aby wyciągnąć wtyczkę z gniazda. Przewód należy chronić przed wysoką temperaturą oraz kontaktem z olejem lub ostrymi krawędziami.

- 12. Dobrze zamocować obrabiany element.**
Do mocowania obrabianego elementu należy używać zacisków lub imadła. Jest to bezpieczniejsze niż przytrzymywanie elementu ręką. Poza tym obie ręce są wówczas wolne i można je wykorzystać do obsługi narzędzia.
- 13. Nie wolno sięgać narzędziem zbyt daleko.**
Należy stać pewnie, aby nie stracić równowagi.
- 14. Starannie konserwować narzędzia.**
Narzędzia tnące powinny być zawsze ostre i czyste, co gwarantuje ich lepsze i bezpieczniejsze działanie. Smarowanie i wymianę osprzętu przeprowadzać zgodnie z podanymi instrukcjami. Regularnie kontrolować przewód zasilający narzędzia, a w przypadku stwierdzenia uszkodzenia, zlecić naprawę autoryzowanemu punktowi serwisowemu. Przedłużacze sprawdzać co pewien czas, a w przypadku stwierdzenia uszkodzenia, wymieniać. Uchwyty powinny być zawsze suche, czyste, bez pozostałości oleju lub smaru.
- 15. Odłączać narzędzia od zasilania.**
Gdy nie są one używane, przed rozpoczęciem konserwacji oraz wymiany osprzętu takiego jak tarcze, brzeszczoty, końcówki robocze i noże.
- 16. Pamiętać o wyjmowaniu kluczy regulacyjnych.**
Dobrze jest wyrobić w sobie nawyk sprawdzania przed włączeniem narzędzia, czy klucze regulacyjne zostały usunięte.
- 17. Unikać przypadkowego uruchomienia.**
Nie przenosić podłączonego narzędzia trzymając palec na przełączniku. Przed podłączeniem wtyczki przewodu zasilającego do gniazda należy upewnić się, czy przełącznik zasilania znajduje się w pozycji wyłączonej.
- 18. Stosować przedłużacze do zastosowań zewnętrznych.**
Gdy urządzenie używane jest na wolnym powietrzu, należy stosować wyłącznie przedłużacze do zastosowań zewnętrznych.
- 19. Zachować czujność.**
Należy zwracać uwagę na wykonywane czynności. Postępować zgodnie ze zdrowym rozsądkiem. Nie używać narzędzia, gdy jest się zmęczonym.
- 20. Sprawdzać uszkodzone części.**
Przed dalszym użytkowaniem narzędzia należy dokładnie sprawdzić uszkodzoną osłonę lub inną część, aby mieć pewność, że będzie ona poprawnie działać i spełniać swoją funkcję. Sprawdzać położenie części ruchomych lub swobodnych, uszkodzenie części, ich mocowanie i inne kwestie mogące wpłynąć na ich działanie. Osłona lub inne uszkodzone części powinny zostać naprawione lub wymienione przez autoryzowany punkt serwisowy, chyba że w instrukcji podano inaczej. Wymianę wadliwie działających przełączników należy zlecić autoryzowanemu punktowi serwisowemu. Nie wolno używać narzędzia z uszkodzonym przełącznikiem zasilania.
- 21. Ostrzeżenie.**
Stosowanie innego osprzętu lub przystawek niż zalecane w niniejszej instrukcji obsługi lub katalogu może stwarzać ryzyko obrażeń ciała.
- 22. Naprawę narzędzia zlecić wykwalifikowanej osobie.**
Opisywane elektronarzędzie spełnia odpowiednie wymogi związane z bezpieczeństwem. Naprawy powinny być przeprowadzane tylko przez wykwalifikowane osoby z użyciem oryginalnych części zamiennych. W przeciwnym razie użytkownik może być narażony na poważne niebezpieczeństwo.

DODATKOWE ZASADY BEZPIECZEŃSTWA DOTYCZĄCE NARZĘDZIA

ZACHOWAĆ INSTRUKCJĘ OBSŁUGI.

1. Zawsze zakładać okulary ochronne.
2. Nie używać narzędzia w obecności palnych cieczy lub gazów.
3. Należy zawsze stosować maskę przeciwpyłową.
4. Sprawdzić dokładnie brzeszczot pod względem pęknięć lub uszkodzeń. Natychmiast wymienić pęknięty lub uszkodzony brzeszczot.
5. Należy stosować tylko tarcze zalecane przez producenta, zgodne z normą EN847-1.
6. Należy zawsze stosować wyposażenie opisane w niniejszej instrukcji obsługi. Korzystanie z niewłaściwego osprzętu, np. tarczy ściernych, może być przyczyną wypadku.
7. Wybrać brzeszczot odpowiedni do obrabianego materiału.
8. Nie używać brzeszczotów tnących wykonanych ze stali szybko tnącej.
9. Aby obniżyć poziom powstającego podczas pracy hałasu, należy zawsze stosować ostre i czyste tarcze.
10. Nie ciąć metalowych elementów, takich jak gwoździe i wkręty. Dokonać oględzin i usunąć wszystkie gwoździe, wkręty i inne ciała obce z elementu obrabianego.
11. Przed uruchomieniem urządzenia ze stolika usunąć klucze, odcięte kawałki, itp.
12. NIGDY nie nosić rękawic podczas pracy.
13. Nie zbliżać rąk do brzeszczotu piły.
14. NIE WOLNO stać na torze ruchu brzeszczotu ani zezwalać na to innym osobom.
15. Przed przystąpieniem do cięcia danego elementu pozwolić, aby brzeszczot działał przez chwilę bez obciążenia. Należy zwracać uwagę na ewentualne drgania lub bicie osiowe, które mogą wskazywać na nieprawidłowe zamocowanie lub niedokładne wyważenie tarczy.
16. Wymienić wkładkę po zauważeniu na niej śladów zużycia.
17. Przed rozpoczęciem cięcia drewna należy podłączyć piłę do urządzenia odsysającego pył.
18. Nie wolno używać narzędzia, jeśli są otwarte drzwiczki lub osłona ostrza tnącego.
19. Należy upewnić się, że wybór taśm i prędkości cięcia są dostosowane do ciętego materiału.
20. Nie należy czyścić urządzenia, jeśli znajduje się ono w ruchu.

MONTAŻ (Rys. 1 i 2)

Mocowanie stojaka piły taśmowej

Jeśli podczas pracy piła ma tendencje do przewracania się, przesuwania lub poruszania, należy ją przymocować do podłoża. (Rys. 3 - 7)

- Po zamocowaniu stojaka przymocować uchwyt i kółka. (Rys. 8)

Jak załadować pojemnik na pył

Pojemnik na pył ładowany jest od dołu stolika. Podczas ładowania umieścić sprężynę na wewnętrznej krawędzi otworu ustalającego urządzenia (do mocowania), wsunąć brzegi pojemnika na pył do szczelin, a następnie przesunąć ją na zewnątrz.

Gdy krawędź zewnętrzna sprężyny znajdzie się w otworze mocującym urządzenia, pojemnik na pył jest załadowany. (Rys. 9 i 10)

Przymocować stolik roboczy do wspornika za pomocą czterech śrub sześciokątnych. (Rys. 11)

Sworzeń montowany jest do transportu, dlatego należy go wyjąć. (Rys. 12)

Montaż relingu prowadzącego (Rys. 13)

- Przymocować reling prowadzący do stolika roboczego przy użyciu czterech śrub motylkowych i podkładek.

OPIS DZIAŁANIA

Mechanizm przełącznika (Rys. 14)

⚠ UWAGA:

- Przed rozpoczęciem pracy upewnić się, że narzędzie można prawidłowo włączyć i wyłączyć.

Pokrywe wyłącznika można łatwo otworzyć, przesuwając ją w górę. Aby uruchomić narzędzie, należy nacisnąć przycisk włącznika (I). Aby je zatrzymać, należy nacisnąć przycisk wyłącznika (O) lub pokrywe wyłącznika.

Włączanie oświetlenia

Nacisnąć górną część przełącznika (I), aby włączyć oświetlenie lub dolną część (O), aby je wyłączyć.

Aby uruchomić narzędzie, należy podnieść dźwignię przełącznika. (Rys. 15)

Aby je zatrzymać, należy opuścić dźwignię przełącznika.

Popychacz (Rys. 16)

Popychacz służy jako przedłużenie ręki i zapobiega przypadkowemu zetknięciu z brzeszczotem.

Należy zawsze stosować popychacz, jeśli odległość pomiędzy brzeszczotem piły a prowadnicą wzdłużną wynosi mniej niż 150 mm.

Umieścić popychacz pod kątem 20° ... 30° względem powierzchni stolika. (Rys. 17)

Gdy popychacz nie jest używany, można go umieścić na uchwycie popychacza zamontowanym na ramie piły taśmowej. Jeśli popychacz jest uszkodzony, należy go wymienić.

Przymiar do cięcia ukośnego (Rys. 18)

Przymiar do cięcia ukośnego jest umieszczany w wycięciu stolika roboczego od strony przedniej krawędzi stolika.

Przymiar do cięcia ukośnego można ustawić w zakresie do 60° w obu kierunkach.

Przy kątach 45° i 90° są umieszczone ograniczniki.

Aby ustawić kąt cięcia ukośnego: poluzować rękojeść blokady, przekręcając ją w lewo.

⚠ OSTRZEŻENIE:

Podczas cięcia z użyciem przymiaru do cięcia ukośnego rękojeść blokady musi być mocno dokręcona.

Po poluzowaniu rękojeści można zdjąć i odwrócić prowadnicę dodatkową.

Montaż prowadnicy wzdłużnej (Rys. 19)

Prowadnicę wzdłużną można umieszczać z obu stron brzeszczotu. Gdy prowadnica wzdłużna jest przemieszczana z jednej strony brzeszczotu na drugą, należy ją odwrócić.

Odwracanie prowadnicy wzdłużnej (Rys. 20)

1. Odkręcić pokrętko (B) zacisku mocującego.
2. Zdjąć zacisk mocujący z prowadnicy.
3. Odkręcić pokrętko (A).
4. Unieść prowadnicę z uchwytu prowadnicy.
5. Odwrócić prowadnicę i wsunąć ją z powrotem na uchwyt prowadnicy.
6. Dokręcić pokrętko (A).
7. Wsunąć zacisk mocujący na prowadnicę.

Zaciskanie prowadnicy wzdłużnej

1. Umieścić prowadnicę wzdłużną na relingu prowadzącym.
2. Docisnąć dźwignię blokady prowadnicy wzdłużnej.
3. Odkręcić pokrętko (B) zacisku mocującego.
4. Przesunąć zacisk mocujący do tylnej krawędzi stolika.
5. Dokręcić pokrętko (B).

Wysokość prowadnicy można obniżyć podczas cięcia materiałów małej grubości. (Rys. 21 i 22)

1. Odkręcić pokrętko (B) zacisku mocującego.
2. Zdjąć zacisk mocujący z prowadnicy.
3. Odkręcić pokrętko (A).
4. Unieść prowadnicę z uchwytu prowadnicy.
5. Zsunąć pokrętko (A) z prowadnicy, aby je zdjąć.
6. Obrócić prowadnicę o 90°.
7. Umieścić pokrętko (A) w drugim rowku prowadnicy.
8. Umieścić prowadnicę ponownie w uchwycie prowadnicy.
9. Dokręcić pokrętko (A).
10. Wsunąć zacisk mocujący na prowadnicę.

Jeśli wysokość prowadnicy została zmniejszona, punkt zerowy (0) zmienia się. Jeśli prowadnica wzdłużna znajduje się z lewej strony brzeszczotu, przesunąć reling prowadzący w lewo, aby ustawić punkt zerowy.

MONTAŻ

Wymiana brzeszczotu piły taśmowej

⚠ UWAGA:

- Zetknięcie z brzeszczotem piły taśmowej, nawet wtedy, gdy jest nieruchomy, może być przyczyną zranień.
- Piła taśmowa jest niebezpieczna.

Podczas wyjmowania piły z opakowania, montażu, wymiany brzeszczotu itp. należy zawsze nosić rękawice ochronne.

1. Poluzować dwie śruby motylkowe prawego relingu prowadzącego i przesunąć prawy reling w prawo. (Rys. 23)
2. Odkręcić do oporu pokrętko (C) zarówno w górnej pokrywie, jak i dolnej pokrywie w lewo.
3. Poluzować pokrętko (D) zarówno w górnej pokrywie, jak i dolnej pokrywie.
4. Otworzyć zarówno górną pokrywę, jak i dolną pokrywę urządzenia. (Rys. 24)
5. Przytrzymać uchwyt i pociągnąć osłonę przeciwpyłową, aby ją zdjąć. (Rys. 25)
6. Otworzyć dolną osłonę brzeszczotu. (Rys. 27)
7. Ustawić dolną osłonę brzeszczotu w najniższym położeniu. (Rys. 26)
8. Zwolnić dźwignię szybkiego zwolnienia, aż brzeszczot piły zostanie poluzowany. (Rys. 28)
9. Aby zdjąć brzeszczot piły taśmowej, należy go przesunąć przez:
 - wycięcie w stoliku roboczym.
 - osłonę brzeszczotu na górnych prowadnicach.
 - pokrywę brzeszczotu obudowy piły.

10. Zamontować nowy brzeszczot piły taśmowej. Sprawdzić prawidłowe położenie: zęby są skierowane w stronę przedniej części piły (drzwiczek).
11. Umieścić brzeszczot piły na gumowych oponach kółek piły.
12. Dociągnąć dźwignię szybkiego zwalniania, aż brzeszczot przestanie ześlizgiwać się z kółek piły.
13. Zamknąć dolną osłonę brzeszczotu.

⚠ UWAGA:

Zamknąć dolną pokrywę tylko wtedy, gdy dolna osłona brzeszczotu jest w położeniu zamkniętym.

14. Przesunąć prawy reling prowadzący do pierwotnej pozycji.
15. Zamocować osłonę przeciwpyłową. (Rys. 29)
16. Zamknąć obie pokrywy.
17. Obrócić pokrętko (C) w prawo do oporu.
18. Dokręcić pokrętko (D).
19. Następnie:
 - naprężyć brzeszczot (patrz punkt „Naprężanie brzeszczotu piły” w rozdziale „Opis działania”).
 - ustawić brzeszczot (patrz punkt „Ustawianie brzeszczotu piły” w rozdziale „Montaż”).
 - ustawić prowadnicę brzeszczotu (patrz punkt „Ustawianie górnej prowadnicy brzeszczotu” w rozdziale „Opis działania”).
 - uruchomić piłę bez obciążenia na co najmniej minutę;
 - zatrzymać piłę, odłączyć zasilanie i ponownie sprawdzić ustawienia.

Regulacja prędkości cięcia (Rys. 30)

1. Otworzyć dolną pokrywę.
2. Poluzować pas napędowy przekręcając pokrętko w prawo.
3. Umieścić pas napędowy na odpowiednim kole pasowym koła napędowego (dolne koło piły) oraz na odpowiadającym mu kole pasowym silnika - patrz etykieta na wewnętrznej stronie dolnej pokrywy.

⚠ UWAGA:

Pas napędowy musi przebiegać po obu przednich lub po obu tylnych kołach pasowych. Pas klinowy nie może przebiegać skośnie.

Pokrętko regulacji naprężenia pasa (Rys. 31)

Pokrętko regulacji pozwala w razie potrzeby korygować naprężenie pasa:

- przekręcenie pokrętła regulacji w prawo zmniejsza naprężenie pasa napędowego.
- przekręcenie pokrętła regulacji w lewo zwiększa naprężenie pasa napędowego.

Ponownie naprężyć pas napędowy przekręcając pokrętko w lewo (w połowie pomiędzy kołami pasowymi pas napędowy powinien odchyłać się o ok. 10 mm). (Rys. 32)

Zamknąć dolną pokrywę.

OPIS DZIAŁANIA

Naprężanie brzeszczotu piły (Rys. 33)

⚠ UWAGA:

Zbyt duże naprężenie może spowodować pęknięcie brzeszczotu. Zbyt małe naprężenie może spowodować poślizg koła napędzanego i zatrzymanie brzeszczotu.

1. Całkowicie unieść górną prowadnicę brzeszczotu. Posługując się skalą i uwzględniając szerokość ostrza, przekręcić pokrętko, aby ustawić naprężenie. (Po ustawieniu naprężenia, należy je sprawdzić, jak pokazano w punkcie 2.)

2. Sprawdzanie naprężenia brzeszczotu:
 - sprawdzić naprężenie naciskając na boczną powierzchnię brzeszczotu palcem, w połowie pomiędzy stolikiem a górną prowadnicą brzeszczotu (brzeszczot powinien odchyłać się nie więcej niż 1-2 mm).
 - sprawdzić ustawienie na wskaźniku naprężenia brzeszczotu. Skala wskazuje odpowiednie ustawienie w zależności od szerokości brzeszczotu.
3. W razie potrzeby skorygować naprężenie:
 - przekręcenie pokrętła regulacji w prawo zwiększa naprężenie brzeszczotu.
 - przekręcenie pokrętła regulacji w lewo zmniejsza naprężenie brzeszczotu.

Ustawienie brzeszczotu (Rys. 34)

Jeśli brzeszczot piły nie porusza się pośrodku gumowych kółek, należy poprawić tor ruchu, zmieniając pochylenie górnego koła piły:

1. Poluzować pokrętło blokady.
2. Przekręcić górne koło ręką, uważając, aby nie dotknąć brzeszczotu. (Rys. 35)
3. Przekręcić pokrętło regulacji w prawo, jeśli brzeszczot przesuwa się w stronę przedniej części urządzenia.
 - Przekręcić pokrętło regulacji w lewo, jeśli brzeszczot przesuwa się w stronę tylnej części urządzenia.
4. Po dokonaniu regulacji należy zawsze zamknąć pokrętło blokady.

Dźwignia szybkiego zwolnienia (Rys. 36)

Dźwignia szybkiego zwolnienia pozwala zmniejszyć naprężenie brzeszczotu.

W prawo: zmniejszenie naprężenia

W lewo: zwiększenie naprężenia

Regulacja górnej prowadnicy brzeszczotu (Rys. 37)

Wysokość górnej prowadnicy brzeszczotu wymaga regulacji: przed każdym użytkowaniem, aby dostosować ją do wysokości elementu obrabianego (górna prowadnica brzeszczotu powinna być ustawiona ok. 3 mm powyżej elementu obrabianego);

- po ustawieniu brzeszczotu piły lub stolika (np. po wymianie brzeszczotu, regulacji naprężenia brzeszczotu, ustawieniu stolika).

⚠ UWAGA:

Przed ustawieniem górnej prowadnicy brzeszczotu oraz pochylenia stolika:

- wyłączyć urządzenie;
- odczekać, aż brzeszczot całkowicie przestanie się poruszać.

- Ustawić górną prowadnicę brzeszczotu przy użyciu pokrętła regulacji na odpowiednią wysokość. Po dokonaniu regulacji należy dokręcić nakrętkę zabezpieczającą.

- Nie wolno ciąć kilku elementów jednocześnie, ani też wiązek składających się z kilku oddzielnych elementów. Jeśli poszczególne elementy zostaną pochwycone przypadkowo przez brzeszczot, operator jest narażony na obrażenia.

1. Odkręcić śrubę C i ustawić mocowanie łożyska tak, aby łożysko prowadzące było oddalone o 1 lub 2 mm od dolnej krawędzi brzeszczotu. (Rys. 38 - 40)
2. Odkręcić śrubę A i ustawić łożysko oporowe w odległości 0,5 mm od tylnej krawędzi brzeszczotu.
3. Odkręcić śrubę B i ustawić łożysko prowadzące w odległości 0,5 mm od brzeszczotu.

Ustawić dolną prowadnicę brzeszczotu (Rys. 41)

Dolna prowadnica brzeszczotu składa się z:

- łożyska oporowego (podtrzymującego brzeszczot od tyłu).
- dwóch łożysk prowadzących (zapewniających podparcie boczne).

Części te należy ustawiać po każdej wymianie brzeszczotu lub regulacji prowadzenia:

Ważne:

Należy regularnie sprawdzać zużycie łożyska oporowego i łożysk prowadzących, w razie potrzeby wymienić (zawsze wymieniać oba łożyska prowadzące jednocześnie).

- Otworzyć dolne drzwiczki obudowy oraz dolną osłonę brzeszczotu.
- Odkręcić śrubę sześciokątną, przesunąć całą dolną prowadnicę brzeszczotu, następnie ustawić łożysko prowadzące w odległości 1 - 2 mm od dolnej krawędzi brzeszczotu.

Ustawianie łożyska oporowego

1. Odkręcić śrubę A.
2. Ustawić położenie łożyska oporowego (odległość łożyska oporowego od brzeszczotu = 0,5 mm – jeśli obrócić brzeszczot ręką, nie może on dotykać łożyska oporowego).
3. Dokręcić śrubę A.

Ustawienie łożysk prowadzących (Rys. 42)

1. Odkręcić śrubę B.
2. Ustawić łożysko prowadzące przy powierzchni brzeszczotu.
3. Przekręcić ręką koło brzeszczotu w prawo kilka razy, aby łożyska prowadzące ustawiły się w prawidłowej pozycji. Odkręcić śrubę A i ustawić łożysko oporowe w odległości 0,5 mm od tylnej krawędzi brzeszczotu. Oba łożyska prowadzące powinny LEKKO STYKAĆ SIĘ z brzeszczotem.
4. Ponownie dokręcić śrubę B.
5. Zamknąć dolną osłonę brzeszczotu.
6. Zamknąć dolne drzwiczki obudowy.

Ustawienie stolika roboczego pod kątem prostym do brzeszczotu (Rys. 43 i 44)

1. Całkowicie unieść górną prowadnicę brzeszczotu (patrz „Użytkowanie”).
2. Sprawdzić naprężenie brzeszczotu (patrz „Opis działania”). Aby przechylić stół roboczy w lewo, należy przekręcić uchwyt w prawo; aby przekręcić stół roboczy w prawo, należy przekręcić uchwyt w lewo.
3. Zwolnić dźwignię blokady.
4. Za pomocą kątownika ustawić stół roboczy pod kątem prostym do brzeszczotu, przekręcając uchwyt, aby ustawić stół roboczy; następnie dociągnąć dźwignię blokady.
5. Przekręcać wkręt ograniczający, aż dotknie obudowy urządzenia.

UŻYTKOWANIE (Rys. 45 i 46)

⚠ Uwaga - niebezpieczeństwo:

Aby zmniejszyć zagrożenie do minimum, należy przestrzegać poniższych zasad bezpieczeństwa podczas użytkowania piły.

⚠ UWAGA:

- Nie należy dotykać tarczy podczas cięcia.
- Podczas użytkowania należy nosić okulary ochronne, ale nie wolno zakładać rękawic.
- Ciąć tylko jeden element obrabiany jednocześnie.
- Zawsze przytrzymywać element obrabiany na stoliku roboczym.
- Nie dopuścić do blokowania elementów obrabianych.

- Nie próbować spowolnić lub zatrzymać brzeszczotu poprzez przyciskanie elementu obrabianego do bocznej powierzchni brzeszczotu.
- Do prostego cięcia z wykorzystaniem prowadnicy należy stosować popychacz.
- Jeśli wymaga tego rodzaj pracy, należy stosować następujące wyposażenie:
 - popychacz – jeśli odległość pomiędzy prowadnicą wzdłużną a brzeszczotem ≤ 150 mm;
 - podpora elementu obrabianego – w przypadku długich elementów, które spadłyby ze stolika roboczego po wykonaniu cięcia;
 - urządzenie do odprowadzania pyłu;
 - podczas cięcia okrągłych elementów należy porządnie przymocować materiał, zgodnie z rysunkiem.
 - odpowiednia prowadnica do podpierania elementów małej grubości ustawionych na krawędzi.
 - rękawice w razie kontaktu z tarczą i szorstkim materiałem.
- Przed rozpoczęciem pracy należy sprawdzić, czy następujące elementy są we właściwym stanie technicznym:
 - brzeszczot;
 - górna i dolna osłona brzeszczotu.
- W przypadku stwierdzenia uszkodzeń natychmiast wymienić daną część.
- Przyjąć prawidłową postawę roboczą (zęby brzeszczotu muszą być skierowane w stronę operatora).

Cięcie

⚠ OSTRZEŻENIE:

Niebezpieczeństwo odrzutu (element obrabiany zostaje pochwycony przez brzeszczot i odrzucony w stronę operatora). Nie wolno doprowadzić do zablokowania elementu obrabianego.

- Wybrać prowadnicę wzdłużną i nachylenie stolika roboczego odpowiednio do prowadzonych prac.
- Ustawić górną prowadnicę brzeszczotu 3 mm powyżej elementu obrabianego.

Ważne:

Zawsze wykonać cięcie próbne na ścinkach, aby sprawdzić ustawienia urządzenia; w razie potrzeby dokonać regulacji przed rozpoczęciem cięcia elementu obrabianego.

- Umieścić element obrabiany na brzeszczocie.
- Podłączyć zasilanie.
- Uruchomić urządzenie.
- Przeciąć element obrabiany w jednym przebiegu.
- Wyłączyć urządzenie, jeśli zaraz potem nie będzie prowadzone dalsze cięcie.
- Używać osobno nabytego dolnego stolika roboczego.

Nachylenie stolika roboczego (Rys. 47)

⚠ UWAGA:

Podczas cięcia pod kątem z pochylonym stołkiem roboczym należy ustawić prowadnicę na dolnej części stolika.

Po zwolnieniu dźwigni blokady można bezstopniowo zmieniać nachylenie stolika roboczego w zakresie 45° względem brzeszczotu.

Aby przechylić stół roboczy w lewo, należy przekręcić uchwyt w prawo; a żeby przechylić stół roboczy w prawo, należy przekręcić uchwyt w lewo.

Podłączanie do odkurzacza (Rys. 48 i 49)

Można zwiększyć czystość pracy poprzez podłączenie urządzenia do odkurzacza lub urządzenia do odprowadzania pyłu firmy Makita.

Jeśli urządzenie do odprowadzania pyłu jest podłączone do dużego otworu kolektora, należy je odpowiednio ustawić i upewnić się, że ma ono duży otwór.

Przemieszczanie urządzenia (Rys. 50)

- Unieść uchwyt, aby umożliwić przenoszenie urządzenia.
- Podczas transportu osłona piły powinna być maksymalnie obniżona i znajdować się blisko stolika roboczego.
- Podczas transportu lub przemieszczania urządzenia nie należy używać osłony.

⚠ UWAGA:

- Jeśli uchwyt jest uniesiony zbyt wysoko, urządzenie może się przewrócić.

KONSERWACJA

⚠ UWAGA:

- Przed przystąpieniem do przeglądu urządzenia lub jego konserwacji należy zawsze upewnić się, czy zostało wyłączone i odłączone od zasilania.

UWAGA:

- Nie wolno stosować benzyny, rozpuszczalników, alkoholu itp. środków. Może to spowodować odbarwienia, odkształcenia lub pęknięcia.

Czyszczenie

Od czasu do czasu należy usuwać trociny i wióry. Starannie oczyścić osłonę brzeszczotu i ruchome części wewnątrz urządzenia.

Smarowanie

Aby piła taśmowa pozostała w idealnym stanie przez długie lata i działała z maksymalną wydajnością, od czasu do czasu należy przesmarować lub naoliwić ruchome i obracające się części.

Aby obniżyć poziom powstającego podczas pracy hałasu, należy zawsze stosować ostre i czyste tarcze.

W celu zachowania odpowiedniego poziomu BEZPIECZEŃSTWA i NIEZAWODNOŚCI urządzenia, wszelkie naprawy i różnego rodzaju prace konserwacyjne lub regulacje powinny być przeprowadzane przez autoryzowany punkt serwisowy narzędzi Makita, zawsze z użyciem oryginalnych części zamiennych Makita.

AKCESORIA OPCJONALNE

⚠ UWAGA:

- Zaleca się stosowanie następujących akcesoriów lub przystawek z urządzeniem Makita opisanym w niniejszej instrukcji. Stosowanie innych akcesoriów lub przystawek grozi obrażeniami ciała. Akcesoria lub przystawki należy wykorzystywać tylko zgodnie z przeznaczeniem.

Więcej szczegółów na temat podanego wyposażenia dodatkowego można uzyskać w lokalnym punkcie serwisowym narzędzi Makita.

- Stojak piły taśmowej
- Klucz do śrub z łbem sześciokątnym
- Prowadnica wzdłużna
- Przymiar do cięcia ukośnego
- Przystawka z tarczą tnącą
- Stół przedłużający
- Przystawka z pasem szlifującym

UWAGA:

- Niektóre pozycje znajdujące się na liście mogą być dołączone do pakietu narzędziowego jako akcesoria standardowe. Mogą to być różne pozycje, w zależności od kraju.

Dotyczy tylko krajów europejskich**Hałas**

Typowy poziom hałasu A to

poziom ciśnienia akustycznego: 81 dB (A)

poziom mocy akustycznej: 94 dB (A)

Niepewność (K): 3 dB (A)

Należy nosić środki ochrony słuchu.

Powyższe wartości uzyskano w oparciu o normę EN61029.

DEKLARACJA ZGODNOŚCI WE**Dotyczy tylko krajów europejskich**

Deklaracja zgodności WE została dołączona jako załącznik A do niniejszej instrukcji obsługi.

MAGYAR (Eredeti útmutató)

Általános nézeti rajz magyarázata

1. Szalagtárcsa	27. Alátét	56. Alsó fűrészlapvédő
2. Felső burkolat	28. Imbuszcsavar	57. Gyorskioldó kar
3. Lámpa kapcsolója	29. Lemezrugó	58. Szalagfűrész alsó tárcsája
4. Kapcsoló	30. Rögzítőnyílás	59. Motorszíjtárcsa
5. Párhuzamvezető	31. Pozicionáló nyílás	60. Hajtószíj
6. Alsó burkolat	32. Vágóasztal	61. Szalaghajtó tárcsa szíjtárcsája
7. Hordozó fogantyú	33. Hatlapfejű csavarok	62. Körülbelül 10 mm
8. Porgyűjtő	34. Forgócsap	63. Rögzítőgomb
9. Gomb (a fűrészlap feszítéséhez)	35. Csapszeg	64. Beállító gomb
10. Gomb (C)	36. Szárnyas csavar	65. Vezetőcsapágy
11. Gomb (D)	37. Vezető sín	66. Csavar (A)
12. Gomb (a lapvezető beállításához)	38. Kapcsolófedél	67. Vezetőcsapágy távolsága a fűrészlap aljától
13. Gomb (a lapvezető rögzítéséhez)	39. Kikapcsoló gomb (OFF)	68. Csavar (C)
14. Felső fűrészlapvezető	40. Bekapcsoló gomb (ON)	69. Csavar (B)
15. Fűrészlap	41. BE	70. Csapágytartó
16. Gomb (az ékszj feszítéséhez)	42. Nyomópálca	71. Axiális csapágy
17. Hajtószíj	43. Gérvágó mérce	72. Csavar
18. Állvány	44. Rögzítőkar	73. Anya
19. Abroncs	45. Gomb	74. Nagy nyílású porgyűjtő csatlakozása
20. Rögzítőkar (a vágóasztal dőlésszögének rögzítéséhez)	46. Gomb (A)	75. Kis nyílású porgyűjtő csatlakozása
21. Porkivezető csomak	47. Vezetőléc	76. Kis nyílású porgyűjtő (a főegységre szerelve)
22. (Gyorskioldó) kar	48. Rögzítőkar	77. Nagy nyílású porgyűjtő (átváltáshoz)
23. Gomb (a fűrészlap futásának beállításához)	49. Vezetőléctartó	78. Sín
24. Fogantyú (a vágóasztal dőlésszögének beállításához)	50. Gomb (B)	79. Tartóperem
25. Váz	51. Leszorítóbilincs	80. Hatlapfejű csavar
26. Fogantyú	52. Szárnyas csavarok	
	53. Porfogó	
	54. Szalagfűrészlap	
	55. Szalagfűrész háza	

MŰSZAKI ADATOK

Típus	LB1200F	
Szalagkerék mérete	305 mm	
Max. vágáshossz	165 mm	
Terhelés nélküli fordulatszám	Magas	840 min ⁻¹ (50 Hz)/1040 min ⁻¹ (60 Hz)
	Alacsony	420 min ⁻¹ (50 Hz)/520 min ⁻¹ (60 Hz)
Vágási sebesség	Magas	13,3 m/s (800 m/perc) (50 Hz)/16,7 m/s (1000 m/perc) (60 Hz)
	Alacsony	6,7 m/s (400 m/perc) (50 Hz)/8,3 m/s (500 m/perc) (60 Hz)
Fűrészlap mérete	Kerület: 2240 mm x 6 mm (szél.), 13 mm, 16 mm	
Befoglaló méretek	615 mm x 775 mm x 1600 mm	
Vágóasztal mérete	560 mm x 400 mm	
Nettó tömeg	81,2 kg	

- A cégünknel folyó folyamatos kutatási és fejlesztési program miatt az itt megadott műszaki adatok előzetes értesítés nélkül módosíthatók.
- A műszaki adatok országonként eltérőek lehetnek.
- A tömeg mérése az EPTA 01/2003 eljárás szerint történt

Szimbólumok

END215-2

Az alábbiakban a szerszámra vonatkozó szimbólumok láthatók. Használat előtt bizonyosodjon meg arról, hogy ismeri ezek jelentését.



..... Olvassa el a kezelési útmutatót!



..... Húzza ki a készülék hálózati csatlakozóját.



..... Viseljen védőszemüveget.



..... Ne közelítse kezét vagy ujjait a fűrészlaphoz.



..... Csak EU-tagállamok számára

Az elektromos berendezéseket ne dobja a háztartási szemétkébe!

A használt elektromos és elektronikus berendezésekről szóló európai uniós irányelv és annak a nemzeti jogba való átültetése szerint az elhasznált elektromos berendezéseket külön kell gyűjteni, és környezetbarát módon újra kell hasznosítani.

Rendeltetésszerű használat

A szerszám fa vagy nem vasból készült fémek vágására szolgál a megfelelő fűrészlap használatával.

Tápfeszültség

ENF001-1

A szerszámot kizárólag olyan egyfázisú, váltóáramú hálózatra szabad kötni, amelynek feszültsége megegyezik az adattáblán szereplő feszültséggel. A szerszámot használathoz földelni kell, mely megóvjaa a kezelőt az áramütéstől. Kizárólag olyan háromeres hosszabbítóvezetékét használjon, mely háromérintkezős, földelt dugvillával és háromérintkezős, földelt dugaljjal rendelkezik a szerszám dugvillájának fogadásához.

BIZTONSÁGI UTASÍTÁSOK

ENA001-2

⚠ FIGYELEM: Villamos szerszámok használatakor a tűz, áramütés vagy személyi sérülés elkerülésének érdekében tartsa be az alábbi alapvető biztonsági óvintézkedéseket. A termék használata előtt olvassa el és őrizze meg a jelen használati útmutatót.

A biztonságos használat érdekében:

- 1. Tartsa tisztán a munkaterületet.**
Rendetlen területeken és munkapadokon nagyobb a sérülés kockázata.
- 2. Tartsa rendben a munkaterület környezetét is.**
A villamos szerszámot óvja az eső hatásától. Ne használjon villamos szerszámokat nedves vagy nyirkos környezetben. Gondoskodjon a munkaterület jó megvilágításáról. Ne használjon villamos szerszámokat tűz- vagy robbanásveszélyes környezetben.
- 3. Védekezzen az áramütéssel szemben.**
Kerülje a fizikai érintkezést földelt felületekkel (például csővezetékekkel, fűtőtestekkel, tűzhelyekkel és hűtőberendezésekkel).
- 4. Ne engedjen gyerekeket a készülék közelébe.**
Ne hagyja, hogy látogatók megérintsék a szerszámot vagy a hosszabbító kábelt.
A látogatókat távol kell tartani a munkaterülettől.
- 5. A nem használt szerszámokat zárja el.**
A használaton kívüli szerszámokat tárolja száraz, magas vagy zárható helyen, ahol gyermekek nem érhetik el őket.
- 6. Ne erőltesse a szerszámot.**
A tervezett sebességen a szerszám jobban és biztonságosabban működik.
- 7. Használjon megfelelő szerszámot.**
Ne használjon kis szerszámot vagy tartozékot olyan munkára, amelyet nagy géppel kellene elvégezni. Ne használjon szerszámokat rendeltetésüktől eltérő módon; például ne használjon körfűrész faágak vagy farönkök vágására.
- 8. Viseljen megfelelő öltözetet.**
Ne viseljen bő ruhát vagy ékszereket, a mozgó géprészek elkaphatják őket. Kültéri munkavégzéshez gumikesztyű és csúszásmentes lábbeli viselete ajánlott. Ha hosszú a haja, munka közben fedje le valamivel.
- 9. Viseljen védőszemüveget és fülvédőt.**
Ha a fűrészelés során por keletkezik, viseljen porvédő maszkot.
- 10. Csatlakoztasson pórelszívó berendezést a fűrészhez.**
Amennyiben a készülékhez por elvezetésére és összegyűjtésére szolgáló berendezéseket lehet csatlakoztatni, bizonyosodjon meg róla, hogy csatlakoztatta és megfelelő módon használja őket.
- 11. Vigyázzon a vezeték épségére.**
Soha ne hordozza a szerszámot a vezetéknél fogva, és ne a vezetéknél fogva húzza ki a csatlakozót az aljzatból. Védje a vezeték hőtől, olajtól és éles sarkoktól.
- 12. Gondoskodjon a biztonságos munkavégzésről.**
Használjon szorítót vagy satut a munkadarab rögzítéséhez. Ez

biztonságosabb, mint kézzel tartani a munkadarabot, és így szabad marad mindkét a keze a szerszám kezeléséhez.

- 13. Ne hajoljon előre túlságosan.**
Mindig biztonságosan állva és egyensúlyát megtartva dolgozzon.
- 14. Gondoskodjon szerszámai karbantartásáról.**
A vágószerszámokat a jobb hatásfokú és biztonságosabb üzemeltetés érdekében tartsa élesen és tisztán. A szerszám kenésekor és a tartozékok cseréjekor kövesse az utasításokat. Rendszeresen ellenőrizze a szerszám csatlakozózsínórját, és ha az károsodott, bízva javítását szakszervizre. A hosszabbító kábeleket rendszeresen ellenőrizze, és ha megsérültek, cserélje őket. A fogantyúkat/karokat tartsa szárazon, tisztán, valamint olaj- és zsírinten.
- 15. Az alábbi esetekben mindig áramtalanítsa a szerszámokat:**
Használaton kívülre helyezéskor, valamint javításkor és tartozékok, például kés, szorítópofoa és vágóél cseréjekor.
- 16. Távolítsa el a beállítókulcsokat és csavarkulcsokat.**
A szerszám bekapcsolása előtt mindig ellenőrizze, hogy a beállítókulcsokat és csavarkulcsokat eltávolította-e.
- 17. Kerülje el a szerszám véletlen bekapcsolását.**
Ne tartsa az ujját a kapcsolón, ha hálózati feszültségre csatlakoztatott szerszámmal megy. Ügyeljen arra, hogy a kapcsoló kikapcsolt helyzetben legyen a szerszám hálózati feszültségre csatlakoztatásakor.
- 18. Kültérre alkalmas hosszabbító kábeleket használjon.**
A szerszám kültéri használatakor használjon a kültéri használatra tervezett hosszabbítót.
- 19. Legyen mindig éber.**
Figyeljen arra, amit csinál. Használja a józan esztét. Ne használja a szerszámot, ha fáradt.
- 20. Ellenőrizze, hogy nincsenek-e sérült alkatrészek.**
Ha egy védőszerkezet vagy alkatrész megsérült, a szerszám további használata előtt gondosan ellenőrizze, hogy képes-e megfelelő működésre és funkciójának ellátására. Ellenőrizze a mozgó részek illeszkedését, szabad mozgását, részek vagy felszerelések törését vagy bármely olyan körülményt, amely hatással lehet a berendezés működésére. A sérült védőfelszerelést vagy alkatrészt hivatalos szervizközpontban megfelelő módon meg kell javítani vagy ki kell cserélni, hacsak a jelen használati utasítás másként nem rendelkezik. A hibás csatlakozókat cseréltesse ki hivatalos szervizközpontban. Ne használja a szerszámot, ha a csatlakozóval nem lehet ki- és bekapcsolni.
- 21. Figyelem!**
A jelen használati utasításban vagy a katalógusban leírtaktól eltérő tartozékok vagy alkatrészek használata veszélyes lehet, és személyi sérülést okozhat.
- 22. Bízva a szerszám javítását szakemberre.**
Ez az elektromos szerszám megfelel a vonatkozó biztonsági követelményeknek. Javítását csak szakember végezheti, eredeti pótalkatrészek felhasználásával, ellenkező esetben a javítás nagy veszélyt jelenthet a felhasználóra.

KIEGÉSZÍTŐ BIZTONSÁGI ELŐÍRÁSOK A SZERSZÁMHOZ

ŐRIZZE MEG EZT AZ ÚTMUTATÓT.

- 1. Viseljen védőszemüveget.**
- 2. Ne használja a szerszámot gyúlékony folyadékok vagy gázok környezetében.**
- 3. Mindig viseljen arc- vagy porvédő maszkot.**

4. Használat előtt gondosan ellenőrizze, hogy nincs-e repedés vagy sérülés a fűrészlapon. A repedt vagy sérült fűrészlapot haladéktalanul cserélje ki.
5. Csak a gyártó által ajánlott, és az EN847-1 számú szabványnak megfelelő fűrészlapokat használjon.
6. Csak a jelen kézikönyv által ajánlott tartozékokat használja. Alkalmatlan tartozékok, mint például daraboló köszőrútárcsák használata sérülést okozhat.
7. A vágandó anyag fajtájának megfelelő fűrészlapot használjon.
8. Ne használjon gyorsacélból készült fűrészlapokat.
9. A zajkibocsátás csökkentése érdekében mindig ügyeljen arra, hogy a fűrészlap éles és tiszta legyen.
10. Ne vágjon fémtárgyakat, mint pl. szegeket és csavarokat. A művelet megkezdése előtt ellenőrizze a munkadarabot, és húzza ki belőle az összes szeget, csavart és más idegen anyagot.
11. A szerszám bekapcsolása előtt távolítsa el a csavarkulcsokat, levágott darabokat stb. a vágóasztalról.
12. A munkavégzés során SOHA ne viseljen védőkesztyűt.
13. Tartsa távol kezeit a fűrészlap útvonalától.
14. SOHA ne álljon a fűrészlap útvonalába, és másoknak is tiltsa meg ezt.
15. Mielőtt vágást végez a tényleges munkadarabon, hagyja jární a szerszámot rövid ideig. A rezgés vagy imbolygás rosszul felszerelt vagy rosszul kiegyensúlyozott fűrészlapra utalhat.
16. Cserélje ki az asztalbetétet, ha elhasználódott.
17. Ha fát fűrészsel, csatlakoztassa a fűrészlapot egy porgyűjtő eszközhöz.
18. Ne használja a gépet, ha a fűrészlapvédő vagy a burkolat ajtaja nyitva van.
19. Ügyeljen rá, hogy a fűrészlap és a sebesség kiválasztása a vágni kívánt anyagtól függ.
20. Ne tisztítsa a fűrészlapot, amíg az mozgásban van.

FELSZERELÉS (1. és 2. ábra)

A szalagfűrész állványának rögzítése

Ha a használat során bármilyen jel arra utal, hogy a szalagfűrész felborulhat, elcsúszhat vagy elmozdulhat, akkor az állványt rögzíteni kell a padlóhoz. (3. - 7. ábrák)

- Szerelje a gépet az állványra, majd szerelje fel a fogantyút és a kerekeket. (8. ábra)

A porgyűjtő felszerelése

A porgyűjtőt a szalagfűrész vágóasztalának alsó részéhez kell felszerelni. Felszereléskor helyezze a lemezrugót (rögzítéshez) a gép pozicionáló nyílásának belső széléhez, akassza a porgyűjtő mindkét tartóperemét a sínekre, majd csúsztassa kifele.

Amikor a biztosító lemezrugó elülső éle beugrik a gép biztosító nyílásába, a porgyűjtő fel van szerelve. (9. és 10. ábra)
Rögzítse a vágóasztalt a forgócsaphoz négy hatlapfejű csavarral. (11. ábra)

A csapszeg a szállítás idejére van behelyezve, ezért húzza azt ki. (12. ábra)

A vezetősín felszerelése (13. ábra)

- A vezetősínt 4-4 szárnyas csavarral és alátétrel rögzítse a vágóasztalhoz.

MŰKÖDÉS LEÍRÁSA

Be/kikapcsolás (14. ábra)

⚠ FIGYELEM:

- A használat megkezdése előtt kapcsolja be és ki a szerszámot. A kapcsoló fedele felfele csúsztatva könnyen kinyitható. A szerszám bekapcsolásához nyomja meg a BE (I) gombot. A kikapcsoláshoz nyomja meg a KI (O) gombot vagy a kapcsoló fedelét.

A lámpák felkapcsolása

Nyomja le a kapcsoló felső részét (I) a lámpa bekapcsolásához, az alsót (O) pedig kikapcsolásához.

A szerszám bekapcsolásához húzza fel a kapcsolókart. (15. ábra)
A kikapcsoláshoz nyomja le a kapcsolókart.

Nyomópálca (16. ábra)

A nyomópálca a kéz meghosszabbításaként szolgál, és védi a kezelőt a fűrészlappal való véletlen érintkezéstől.

Mindig a nyomópalcát kell használni, ha a fűrészlap és a párhuzamvezető közötti távolság 150 mm-nél kisebb.

A nyomópalcát a vágóasztal felületéhez képest 20°–30°-os szögben vezesse. (17. ábra)

A nyomópalcát a szalagfűrész vázának oldalán található tartóban tárolja.

Ha a nyomópálca megsérült, cserélje ki.

Gérvágó mérce (18. ábra)

A gérvágó mérce a vágóasztal elülső élétől induló horonyba illeszthető be.

Gérvágáshoz a mérce mindkét irányba 60° fokkal fordítható el. 45° és 90° fokos gérvágáshoz ütközők állnak rendelkezésre.

Gérvágási szög beállítása: az óramutató járásával ellentétes irányú elforgatással lazítsa ki a rögzítőkart.

⚠ FIGYELEM:

Ha a gérvágó mércével fűrészsel, szorítsa meg erősen a rögzítőkart.

A gomb fellazítása után a segédlicet le lehet szerelni és meg lehet fordítani.

A párhuzamvezető felszerelése (19. ábra)

A párhuzamvezető a fűrészlap mindkét oldalán használható. Ha a párhuzamvezetőt a fűrészlap egyik oldaláról a másikra helyezi, a párhuzamvezetőt meg kell fordítani.

A párhuzamvezető megfordítása (20. ábra)

1. Lazítsa meg a leszorítobilincs gombját (B).
2. Vegye le a leszorítobilincset a párhuzamvezetőről.
3. Lazítsa meg a gombot (A).
4. Emelje le a párhuzamvezetőt a tartójáról.
5. Fordítsa meg a párhuzamvezetőt, és csúsztassa vissza a tartójára.
6. Húzza meg a gombot (A).
7. Csúsztassa a leszorítobilincset a párhuzamvezetőre.

A párhuzamvezető megfogása bilincssel

1. Helyezze a párhuzamvezetőt a vezetősínre.
2. Húzza meg a párhuzamvezető rögzítőkarját.
3. Lazítsa meg a leszorítobilincs gombját (B).
4. Csúsztassa a leszorítobilincset a vágóasztal hátsó széléhez.
5. Húzza meg a csavart (B).

A párhuzamvezető magasságát csökkenteni lehet vékony anyagok vágásához. **(21. és 22. ábra)**

1. Lazítsa meg a leszorítóbilincs gombját (B).
2. Vegye le a leszorítóbilincset a párhuzamvezetőről.
3. Lazítsa meg a gombot (A).
4. Emelje le a párhuzamvezetőt a tartójáról.
5. Eltávolításhoz csúsztassa le a gombot (A) a párhuzamvezetőről.
6. Forgassa el a párhuzamvezetőt 90°-kal.
7. Helyezze a gombot (A) a párhuzamvezető másik hornyába.
8. Helyezze vissza a párhuzamvezetőt a tartójába.
9. Húzza meg a gombot (A).
10. Csúsztassa a leszorítóbilincset a párhuzamvezetőre.

A párhuzamvezető magasságának csökkentésekor a 0 (zéró) pont helye módosul. Ha a párhuzamvezető a fűrészlap bal oldalán található, a 0 pont beállításához csúsztassa a vezetősínt balra.

SZERELÉS

A fűrészlap cseréje

⚠ FIGYELEM:

- A fűrészlap megérintése akkor is személyi sérülést okozhat, ha a fűrészlap áll.
- A szalagfűrészlap veszélyes. Viseljen védőkesztyűt a fűrészlap kezelése során olyan helyzetekben, mint például a csomagolásából történő kibontása, felszerelése vagy cseréje.

1. Lazítsa fel a jobb oldali vezetősínnél lévő két szárnyas csavart, majd csúsztassa jobbra a sínt. **(23. ábra)**
2. Forgassa el a felső burkolat és az alsó burkolat gombját (C) az óramutató járásával ellentétes irányban teljesen, amíg megáll.
3. Lazítsa meg a felső burkolat és az alsó burkolat gombját (D).
4. Nyissa ki a szerszámgép felső és alsó burkolatát is. **(24. ábra)**
5. Fogja meg a fogantyút, és felfelé húzva távolítsa el a porvédő burkolatot. **(25. ábra)**
6. Nyissa ki az alsó lapvédőt. **(27. ábra)**
7. Állítsa a felső lapvezetőt a legalsó helyzetbe. **(26. ábra)**
8. Lazítsa fel a gyorskioldó kart annyira, hogy a szalagfűrészlap kilazuljon. **(28. ábra)**
9. Eltávolításhoz a fűrészlapot vezesse keresztül
 - a fűrészlap nyílásán,
 - a felső lapvezetőkön lévő lapvédőn,
 - a házon lévő lapburkolaton.
10. Helyezzen fel egy új szalagfűrészlapot. Ügyeljen a helyes behelyezésre: a fogak a fűrészgép elülső (ajtó felőli) oldala felé nézzenek.
11. A fűrészlapot központosan helyezze el a szalagtárcsák gumival bevont felületén.
12. Annyira húzza meg a gyorskioldó kart, hogy a szalagfűrészlap ne csússzon le a szalagtárcsákról.
13. Zárja az alsó fűrészlapvédőt.

⚠ FIGYELEM:

Az alsó burkolatot kizárólag akkor zárja, ha az alsó fűrészlapvédő zárva van.

14. Állítsa vissza a jobb oldali vezetősínt eredeti helyzetébe.
15. Helyezze fel a porfogót. **(29. ábra)**
16. Zárja mindkét burkolatot.
17. Forgassa el teljesen a gombot (C) az óramutató járásával megegyező irányba, amíg megáll.
18. Húzza meg a gombot (D).

19. Ezután:

- feszítse meg a fűrészlapot (lásd a „MŰKÖDÉS LEÍRÁSA” című fejezetben A szalagfűrészlap megfeszítése című szakaszt).
- állítsa be a fűrészlapot (lásd az „SZERELÉS” című fejezetben A fűrészlap beállítása című szakaszt).
- állítsa be a lapvezetőket (lásd a „MŰKÖDÉS LEÍRÁSA” című fejezetben A felső lapvezető beállítása című szakaszt).
- legalább egy percig járassa a gépet;
- majd állítsa le, húzza ki az elektromos hálózathoz, és ellenőrizze ismét a beállításokat.

Vágási sebesség beállítása (30. ábra)

1. Nyissa ki az alsó burkolatot.
2. A gomb óramutató járásával megegyező irányú elforgatásával lazítsa fel a hajtószíjat.
3. Helyezze a hajtószíjat a szalaghajtó kerék (alsó szalagkerék) megfelelő tárcsájára és az alsó burkolaton belül a motor megfelelő tárcsájára.

⚠ FIGYELEM:

A hajtószija csak mindkét első vagy csak mindkét hátsó tárcsán futhat. Az ékszija nem futhat átlósan.

Az ékszija feszességének beállító gombja (31. ábra)

Szükség esetén a beállító gombbal módosítható az ékszija feszessége:

- a beállító gomb óramutató járásával egyező irányú elforgatása csökkenti a szija feszességét.
- a beállító gomb óramutató járásával ellentétes irányú elforgatása növeli a szija feszességét.

Feszítse meg ismét a hajtószíjat a beállító gomb óramutató járásával ellentétes irányú elforgatásával (a tárcsák között félúton a szija belógásának körülbelül 10 mm-nek kell lennie). **(32. ábra)**
Zárja az alsó burkolatot.

MŰKÖDÉS LEÍRÁSA

A fűrészlap feszességének beállítása (33. ábra)

⚠ FIGYELEM:

A túlzott feszítés a fűrészlap töréséhez vezethet. A túl gyenge feszítés miatt a fűrészlap megcsúszhat, és a szalagfűrész leáll.

1. Teljesen emelje meg a felső fűrészlapvezetőt.
A skála figyelembe vétele és a fűrészlap vastagságának szem előtt tartása mellett állítsa be a feszességet a gomb elforgatásával. (Beállítás után a feszességet a 2. pontban ismertetett módon ellenőrizze.)
2. A fűrészlap feszességének ellenőrzése:
 - a feszességet egy ujjal ellenőrizze, úgy, hogy a vágóasztal és a felső fűrészlapvezető között félúton nyomja meg a fűrészlapot az oldalán (a fűrészlap nem hajolhat be 1-2 mm-nél jobban).
 - ellenőrizze a beállítást a fűrészlap feszességjelzőjén. A skála a helyes beállítást a fűrészlap vastagságának megfelelően jelzi.
3. Szükség esetén állítson a feszességen:
 - a beállító gomb óramutató járásával egyező irányú elforgatása növeli a fűrészlap feszességét.
 - a beállító gomb óramutató járásával ellentétes irányú elforgatása csökkenti a fűrészlap feszességét.

A fűrészlap beállítása (34. ábra)

Ha a fűrészlap nem a gumifelületek közepén fut, helyesbítse a nyomvonalat a felső fűrészlaphajtó kerék döntésének módosításával:

1. Lazítsa fel a rögzítő gombot.
2. Kézzel forgassa a felső kereket, ügyelve arra, hogy ne érjen a fűrészlaphoz. (35. ábra)
3. Forgassa a beállítógombot az óramutató járásával egyező irányba, ha a fűrészlap a fűrészgép eleje felé fut.
 - Forgassa a beállítógombot az óramutató járásával ellentétes irányba, ha a fűrészlap a fűrészgép hátulja felé fut.
4. Beállítás után húzza meg a rögzítőgombot.

Gyorskioldó kar (36. ábra)

A gyorskioldó kar segítségével a fűrészlap feszessége állítható. Az óra járásával megegyező irányba forgatva: a feszesség csökken

Az óra járásával ellentétes irányba forgatva: a feszesség nő

A felső fűrészlapvezető beállítása (37. ábra)

A felső fűrészlapvezető magasságát be kell állítani: minden vágást/üzemeltetést megelőzően a munkadarab magasságának megfelelően (a felső fűrészlapvezetőt kb. 3 mm-rel a munkadarab fölé kell állítani);

- a fűrészlap vagy a vágóasztal beállítása után (pl: fűrészlap cseréje, feszítése, a vágóasztal beállítása).

⚠ FIGYELEM:

A felső fűrészlapvezető és a vágóasztal döntésének beállítása előtt:

- kapcsolja Ki a gépet;
- várja meg, hogy a fűrészlap teljesen leálljon.

- A beállítógomb rögzítőgombot meglazítva és beállítva állítsa be a felső fűrészlapvezetőt a kívánt magasságba.

A beállítás után húzza meg a rögzítőanyát.

- Soha ne vágjon egyszerre több munkadarabot vagy több darabból álló kötegeket. A fűrészlap által elkapott, kontrollálhatatlan, különálló darabok személyi sérülést okozhatnak.

1. Lazítsa meg a C csavart, majd állítsa úgy be a csapágytartót, hogy a vezetőcsapágy 1 – 2 mm-re helyezkedjen el a fűrészlap aljától. (38. - 40. ábrák)
2. Lazítsa meg az A csavart, majd állítsa úgy be az axiális csapágyat, hogy 0,5 mm-re helyezkedjen el a fűrészlap hátuljától.
3. Lazítsa meg a B csavart, majd állítsa úgy be a vezetőcsapágyat, hogy 0,5 mm-re helyezkedjen el a fűrészlaptól.

Az alsó fűrészlapvezető beállítása (41. ábra)

Az alsó fűrészlapvezető az alábbiakból áll:

- egy axiális csapágyból (amely a fűrészlapot támasztja meg hátulról).
- két vezetőcsapágyból (ezek oldalirányú megtámasztást biztosítanak).

Ezeket az alkatrészeket minden fűrészlappcsere és a futási nyomvonal minden beállítása után újra be kell állítani.

Megjegyzés:

Rendszeresen ellenőrizze az axiális csapágyak és a vezetőcsapágyak kopottságát; szükség esetén egyszerre cserélje mindkét vezetőcsapágyat.

- Nyissa ki a burkolat alsó ajtaját és az alsó fűrészlapvédőt.

- Lazítsa meg a hatlapfejű csavart, mozgassa meg az alsó fűrészlapvezetőt, és állítsa be a vezetőcsapágyat 1 – 2 mm-re a különálló fűrészlap aljától.

Axiális csapágy beállítása

1. Lazítsa meg az A csavart.
2. Állítsa be az axiális csapágy helyzetét (az axiális csapágy és a fűrészlap közötti távolság = 0,5 mm – ha a fűrészlapot kézzel forgatja, az nem érhet hozzá az axiális csapágyhoz).
3. Húzza meg az A csavart.

A vezetőcsapágyak beállítása (42. ábra)

1. Lazítsa meg a B csavart.
2. Állítsa a vezetőcsapágyat a fűrészlappal szembe.
3. Kézzel forgassa meg többször a szalagkereket az óramutató járásával megegyező irányba a vezetőcsapágyak megfelelő helyzetbe állítsa érdekében. Lazítsa meg az A csavart, majd állítsa úgy be az axiális csapágyat, hogy 0,5 mm-re helyezkedjen el a fűrészlap hátuljától. Mindkét vezetőcsapágy éppen CSAK ÉRINTSE a szalagfűrészlapot.
4. Ismételten húzza meg a B csavart.
5. Zárja az alsó fűrészlapvédőt.
6. Zárja be a burkolat alsó ajtaját.

A vágóasztal beállítása derékszögben a fűrészlaphoz képest (43. és 44. ábra)

1. Emelje fel teljesen a felső fűrészlapvezetőt (lásd az: „Üzemeltetés” című fejezetet).
2. Ellenőrizze a fűrészlap feszességét (lásd a „MŰKÖDÉS LEÍRÁSA” című fejezetet). Fordítsa a kart óramutató járásával megegyező irányba az asztal óramutató járásával ellentétes irányú döntéséhez, illetve az asztal óramutató járásával megegyező irányú döntéséhez fordítsa a kart az óramutató járásával ellentétes irányba.
3. Lazítsa fel a rögzítőkart.
4. A rögzítőkart a vágóasztal beállításához elfordítva egy talpas derékszög segítségével állítsa a vágóasztalt a fűrészlaphoz képest derékszögbe, majd húzza meg ismét a rögzítőkart.
5. Addig állítsa a határoló csavart, míg nem érinti a fűrész házát.

ÜZEMELTETÉS (45. és 46. ábra)

⚠ Vesztély:

A szalagfűrész üzemeltetésekor tartsa be az alábbi biztonsági óvintézkedéseket a személyi sérülés kockázatának csökkentése érdekében.

⚠ FIGYELEM:

- Vágás során ne érjen a szalagfűrészlaphoz.
- A fűrészelési művelet során viseljen védőszemüveget; kesztyűt azonban ne.
- Egyszerre csak egy munkadarabot fűrészeljen.
- Mindig szorítsa le a munkadarabot a vágóasztalra.
- Ne nyomja a munkadarabot túlzott erővel.
- Ne próbálja meg lelassítani vagy leállítani a fűrészlapot úgy, hogy oldalról hozzányomja a munkadarabot.
- Egyenes vágás során használjon nyomópálcát a vezetőléccsel szemben.
- Ha a munka jellege igényli, használja az alábbi kellékeket:
 - nyomópálca – ha a párhuzamvezető és a szalagfűrészlap közötti távolság ≤ 150 mm;
 - munkadarabtámasz – hosszú darabokhoz, amelyek egyébként leesnének a vágóasztalról a fűrészelés befejezésekor;

- porgyűjtő;
- kör keresztmetszetű munkadarab vágása esetén biztosítsa erősen az anyagot, ahogyan az ábra is mutatja.
- megvezető a szilárd megtámasztáshoz, ha szélére állított, vékony anyagot vág.
- védőkesztyűt a fűrészlap és a durva anyagok kezeléséhez.
- A munka megkezdése előtt ellenőrizze, hogy az alábbiak állapota megfelelő-e:
 - a szalagfűrész fűrészlapja;
 - felső és alsó fűrészlapvédő.
- A sérült alkatrészeket haladéktalanul cserélje.
- Megfelelő testtartásban dolgozzon (a fűrészlap fogainak a kezelő felé kell nézniük).

Fűrészelés

⚠ FIGYELEM:

Visszarúgásveszély! (A munkadarabot a fűrészlap elkaphatja, és a kezelő felé dobhatja.)

Ne nyomja a munkadarabot túlzott erővel.

- Mindig a fűrészelési művelethez megfelelő a párhuzamvezetőt és a vágóasztaldöntést használjon.
- Állítsa a felső lapvezetőt 3 mm-rel a munkadarab fölé.

Megjegyzés:

A munkadarab elvágása előtt mindig végezzen próbavágást egy darab hulladék anyagon a beállítások ellenőrzéséhez, szükség szerint helyesbítse a beállításokat.

- Helyezze a munkadarabot a fűrészlaphoz.
- Dugja be a gépet a hálózati csatlakozóba.
- Kezdje meg a fűrészelést.
- A munkadarabot egyetlen vágással fűrészlje el.
- Kapcsolja ki a gépet, ha éppen nincs szükség további vágásra.
- Használjon külön forgalmazott alsó vágóasztalt.

A vágóasztal megdöntése (47. ábra)

⚠ FIGYELEM:

Ha ferdevágást alkalmaz döntött vágóasztallal, helyezze a vezetőléceket az asztal alsó részére.

A rögzítőkar fellazítása után a vágóasztal fokozatmentesen dönthető, amíg 45° fokos szöget zár be a fűrészlappal. Fordítsa a kart óramutató járásával megegyező irányba az asztal óramutató járásával ellentétes irányú döntéséhez, az asztal óramutató járásával megegyező irányú döntéséhez pedig fordítsa a kart az óramutató járásával ellentétes irányba.

Porszívó csatlakoztatása (48. és 49. ábra)

A műveletek tisztasága érdekében csatlakoztasson a fűrészhez Makita porszívót vagy porgyűjtőt.

Amikor a nagy szájnnyílású porgyűjtő kimenethez porgyűjtőt csatlakoztat, ellenőrizze, hogy a porgyűjtő nagy szájnnyílással rendelkezik-e.

A gép mozgatása (50. ábra)

- Mozgathoz mindig a gép emelőfogantyúját fogja meg.
- Szállítás során a fűrészlapvédő teljesen leeresztett helyzetben legyen, közel az asztalhoz.
- A védőelemeket ne használja emeléshez vagy szállításhoz.

⚠ FIGYELEM:

- Ha az emelőfogantyút túl magasra emeli, a gép átbillenhet.

KARBANTARTÁS

⚠ FIGYELEM:

- Mindig ellenőrizze, hogy a szerszám ki van kapcsolva és ki van húzva a hálózathoz, mielőtt átvizsgálja vagy karbantartást végez rajta.

MEGJEGYZÉS:

- Soha ne használjon gázolajat, benzint, hígítót, alkoholt vagy hasonló anyagokat. Ezek elszíneződést, alakvesztést vagy repedést okozhatnak.

Tisztítás

Időről időre takarítsa le a gépről a fűrészport és a forgácsot. Óvatosan tisztítsa meg a fűrészlapvédőt és a gép belsejében lévő mozgó alkatrészeket.

Kenés

A szalagfűrész hibátlan üzemállapotának megőrzése és a maximális élettartam elérése érdekében időről időre olajozza vagy zsírozza meg a mozgó és forgó alkatrészeket.

A zajkibocsátás csökkentése érdekében mindig ügyeljen arra, hogy a fűrészlap éles és tiszta legyen.

A termék BIZTONSÁGÁNAK és MEGBÍZHATÓSÁGÁNAK fenntartása érdekében a javításokat és más karbantartásokat vagy beállításokat a Makita hivatalos szervizközpontjában kell elvégezni, kizárólag Makita cserealkatrészeket használva.

OPCIONÁLIS KIEGÉSZÍTŐK

⚠ FIGYELEM:

- Ezeket a kiegészítőket és tartozékokat javasoljuk a kézikönyvben ismertetett Makita gépéhez. Bármilyen más kiegészítő vagy tartozék használata a személyi sérülés kockázatával jár. A kiegészítőt vagy tartozékot csak a rendeltetésszerűen használja.

Ha segítségre vagy további részletekre van szüksége a tartozékokkal kapcsolatban, akkor kérjen segítséget a helyi Makita szervizközponttól.

- Állvány a szalagfűrészhez
- Imbuszkulcs
- Párhuzamvezető
- Gérvágó mérce
- Körvágó kiegészítés
- Asztalhosszabbító
- Szalagcsiszoló kiegészítés

MEGJEGYZÉS:

- A listán felsorolt néhány kiegészítő megtalálható az eszköz csomagolásában standard kiegészítőként. Ezek országonként eltérőek lehetnek.

Csak európai országokra vonatkozóan

Zaj

Jellegzetes A-súlyozott zajszintek:

hangnyomásszint: 81 dB (A)

hangteljesítményszint: 94 dB (A)

Tűrés (K): 3 dB (A)

Viseljen fülvédőt.

Ezek az értékek az EN61029 szabványnak megfelelően lettek meghatározva.

EK MEGFELELŐSÉGI NYILATKOZAT

Csak európai országokra vonatkozóan

Az EK Megfelelőségi nyilatkozatot az A függelék tartalmazza a jelen használati útmutatóban.

ROMÂNĂ (Instrucțiuni originale)

Explicația vederii generale

1. Roată	25. Cadru	55. Carcasă ferăstrău
2. Capac superior	26. Mâner	56. Apărătoare pânză inferioară
3. Întrerupător de lumină	27. Șaibă	57. Manetă de eliberare rapidă
4. Întrerupător	28. Șurub cu cap hexagonal înecat	58. Roată inferioară ferăstrău-bandă
5. Riglă de ghidare	29. Arc lamelar	59. Roată motor
6. Capac inferior	30. Orificiu de fixare	60. Curea de acționare
7. Mâner de transport	31. Orificiu de poziție	61. Rolă a roții de acționare
8. Cutie de praf	32. Masă	62. Aprox. 10 mm
9. Buton rotativ (Pentru tensionarea pânzei)	33. Șuruburi cu cap hexagonal	63. Buton rotativ de blocare
10. Buton rotativ (C)	34. Ax cardanic	64. Buton rotativ de reglare
11. Buton rotativ (D)	35. Știft	65. Lagăr de ghidare
12. Buton rotativ (Pentru reglarea ghidajului pânzei)	36. Șurub cu cap striat	66. Bolț A
13. Buton rotativ (Pentru fixarea ghidajului pânzei)	37. Șină de ghidare	67. Distanță lagăr de ghidare de la baza pânzei
14. Ghidaj superior pânză	38. Capac de întrerupător	68. Bolț C
15. Pânză	39. Comutator OPRIRE	69. Bolț B
16. Buton rotativ (Pentru tensionarea curelei trapezoidale)	40. Comutator PORNIRE	70. Suport lagăr
17. Curea de acționare	41. PORNIT	71. Lagăr axial
18. Postament	42. Baghetă împingătoare	72. Șurub
19. Cauciuc	43. Calibru pentru tăieri oblice	73. Piuliță
20. Pârghie de blocare (Pentru fixarea gradului de înclinare a mesei)	44. Mâner de blocare	74. Colector cu deschidere mare
21. Port de aspirare praf	45. Buton rotativ	75. Colector cu deschidere mică
22. Manetă (Eliberare rapidă)	46. Buton rotativ (A)	76. Colector de praf mic (montat pe unitatea principală)
23. Buton rotativ (Pentru reglarea direcției uneltei de tăiere)	47. Opritor	77. Colector de praf mare (Pentru comutare)
24. Dispozitiv de prindere (Pentru reglarea gradului de înclinare a mesei)	48. Pârghie de blocare	78. Șină
	49. Suport opritor	79. Eclisă de cuplare
	50. Buton rotativ (B)	80. Șurub cu cap hexagonal
	51. Clemă de fixare	
	52. Șuruburi cu cap striat	
	53. Capac de protecție contra prafului	
	54. Pânză de ferăstrău	

SPECIFICAȚII

Model	LB1200F	
Dimensiune roată	305 mm	
Capacitate maximă de tăiere	165 mm	
Fără sarcină de încărcare	Mare	840 min ⁻¹ (50 Hz)/1.040 min ⁻¹ (60 Hz)
	Scăzut	420 min ⁻¹ (50 Hz)/520 min ⁻¹ (60 Hz)
Viteză de tăiere	Mare	13,3 m/s (800 m/min) (50 Hz)/16,7 m/s (1.000 m/min) (60 Hz)
	Scăzut	6,7 m/s (400 m/min) (50 Hz)/8,3 m/s (500 m/min) (60 Hz)
Dimensiunea pânzei	Circumferință 2.240 mm x Lățime 6 mm, 13 mm, 16 mm	
Dimensiuni totale	615 mm x 775 mm x 1.600 mm	
Dimensiune masă	560 mm x 400 mm	
Greutate netă	81,2 kg	

- Datorită programului nostru continuu de cercetare și dezvoltare, specificațiile din prezentul document pot fi modificate fără o notificare prealabilă.
- Specificațiile pot diferi în funcție de țară.
- Greutatea este specificată conform procedurii EPTA-01/2003

Simboluri

END215-2

Veți găsi în continuare simbolurile folosite pentru unealtă. Asigurați-vă că ați înțeles semnificația acestora înainte de utilizare.



..... Citiți manualul de utilizare.



..... Scoateți ștecherul din priză.



..... Purtați ochelari de protecție.



..... Nu apropiați mâinile sau degetele de pânză.



..... Doar pentru țările UE

Nu aruncați aparatele electrice în gunoiul menajer! În conformitate cu Directiva europeană privind deșeurile de echipamente electrice și electronice și implementarea sa conform legislației naționale, echipamentele electrice uzate trebuie colectate separat și reciclate corespunzător în vederea protejării mediului.

Scopul utilizării

Unealta este destinată tăierii lemnului sau metalelor neferoase folosind pânza ferăstrăului.

Sursă de alimentare

ENF001-1

Unealta trebuie conectată doar la o sursă de alimentare cu aceeași tensiune precum cea indicată pe plăcuța indicatoare a caracteristicilor tehnice și poate fi operată doar de la o sursă de curent alternativ cu o singură fază. Această mașină trebuie să fie împământată în timpul funcționării, pentru a proteja operatorul împotriva electrocutării. Folosiți numai cabluri prelungitoare cu trei conductoare, care dispun de conectori cu trei fișe de contact și prize tripolare care acceptă conectorul mașinii.

INSTRUCȚIUNI DE SIGURANȚĂ

ENA001-2

⚠️ AVERTISMENT: Când folosiți unelte electrice, trebuie respectate măsurile fundamentale de protecție, inclusiv cele prezentate în continuare, pentru a reduce riscul de incendiu, șoc electric și vătămare corporală. Citiți toate aceste instrucțiuni înainte de a folosi acest produs și păstrați-le.

Pentru operații în siguranță:

- 1. Păstrați curat spațiul de lucru.**
Spațiile și băncile dezordonate provoacă vătămări.
- 2. Respectați mediul înconjurător din zona de lucru.**
Nu expuneți la ploaie uneltele electrice. Nu utilizați uneltele electrice în spații umede sau ude. Asigurați o iluminare bună a spațiului de lucru. Nu utilizați uneltele electrice în spații unde există riscul incendiilor sau exploziilor.
- 3. Protecție împotriva șocurilor electrice.**
Evitați contactul fizic cu suprafețe cu legătură la pământ (de exemplu țevi, radiatoare, mașini de gătit sau frigider).
- 4. Țineți copiii la distanță.**
Nu permiteți vizitatorilor să intre în contact cu unealta sau cablul de prelungire.
Toți vizitatorii trebuie să păstreze distanța față de zona de lucru.
- 5. Depozitați uneltele atunci când nu sunt utilizate.**
Atunci când nu sunt utilizate, uneltele trebuie depozitate separat într-un spațiu uscat, înalt sau încuiat, la care să nu aibă acces copiii.
- 6. Nu forțați unealta.**
Aceasta va opera mai eficient și mai sigur cu viteza pentru care a fost concepută.
- 7. Utilizați unealta corespunzătoare.**
Nu forțați uneltele sau accesoriile de mici dimensiuni să facă operații corespunzătoare unor unelte de mare putere. Nu utilizați uneltele în alte scopuri decât cele specificate; de exemplu, nu utilizați ferăstraie circulare pentru a tăia butuci sau crengi de copaci.
- 8. Echipați-vă corespunzător.**
Nu purtați îmbrăcăminte largă sau bijuterii, deoarece acestea pot fi prinse în mecanismele în mișcare. Mănușile de cauciuc și încălțăminte antiderapantă sunt recomandate atunci când lucrați în exterior. Protejați-vă părul lung cu o plasă pentru păr.
- 9. Purtați ochelari de protecție și mijloace de protecție a auzului.**
Folosiți întotdeauna o mască antipraf sau o mască de față atunci când operația de tăiere generează mult praf.
- 10. Conectarea echipamentului de aspirare a prafului.**
Dacă sunt furnizate accesoriile pentru conectarea unor dispozitive de aspirare și colectare a prafului, asigurați-vă că acestea sunt montate și folosite corect.
- 11. Nu forțați cablul de alimentare.**
Nu transportați niciodată unealta ținând-o de cablu și nu-l smulgeți pentru a-l decupla de la priză. Țineți cablul la distanță de sursele de căldură, ulei sau muchii tăioase.
- 12. Fixați obiectul de lucru.**
Utilizați cleme sau o menghină pentru a fixa obiectul de lucru.

Este mai sigur decât folosirea mâinii și vă eliberează mâinile pentru a putea opera unealta.

- 13. Nu vă întindeți excesiv.**
Mențineți-vă permanent echilibrul și sprijiniți-vă ferm pe picioare.
- 14. Întrețineți uneltele cu grijă.**
Păstrați uneltele de tăiere ascuțite și curate pentru o funcționare mai bună și mai sigură. Respectați instrucțiunile pentru lubrifiere și schimbarea accesoriilor. Verificați periodic cablurile uneltei și, dacă sunt deteriorate, dispuneți repararea acestora în cadrul unui atelier de service autorizat. Verificați periodic cablurile de prelungire și, dacă este cazul, înlocuiți-le. Păstrați mânerurile uscate, curate și fără urme de ulei sau unsoare.
- 15. Decuplați uneltele de la alimentarea cu energie electrică.**
Când nu sunt utilizate, înaintea operațiilor de service și la schimbarea accesoriilor precum pânze, piese și dispozitive de tăiere.
- 16. Îndepărtați cheile de reglare.**
Formați-vă un obicei din a verifica dacă sunt scoase de pe unealtă cheile de reglare înainte de a o porni.
- 17. Evitați punerea accidentală în funcțiune.**
Nu transportați o unealtă cuplată la alimentare cu degetul pe întrerupător. Asigurați-vă că întrerupătorul este în poziția oprit la cuplarea la sursa de alimentare.
- 18. Utilizați cabluri de prelungire pentru exterior.**
Când unealta este utilizată în exterior, utilizați doar cabluri de prelungire destinate utilizării în exterior.
- 19. Fiți prevăzător.**
Acordați atenție maximă operațiilor efectuate. Utilizați-vă simțul practic.
Nu utilizați unealta atunci când sunteți obosit.
- 20. Verificați componentele deteriorate.**
Înainte de a continua utilizarea uneltei, dispozitivele de protecție sau alte componente care sunt deteriorate trebuie să fie verificate cu atenție pentru a stabili dacă unealta va funcționa în mod corespunzător. Verificați alinierea componentelor mobile, funcționarea liberă a componentelor mobile, uzura pieselor, montarea sau orice altă stare care ar putea afecta operarea acestora. Dispozitivele de protecție și orice altă componentă care este deteriorată trebuie să fie reparată în mod corespunzător de către un atelier de service autorizat cu excepția cazurilor în care nu este stipulat în mod diferit în acest manual de instrucțiuni. Reparați întrerupătoarele defecte în cadrul unui atelier de service autorizat. Nu folosiți unealta dacă nu o puteți porni sau opri de la întrerupător.
- 21. Avertisment.**
Utilizarea oricărui accesoriu sau dispozitiv, altul decât cel recomandat în acest manual de instrucțiuni sau în catalog, poate prezenta un risc de vătămare personală.
- 22. Permiteți repararea uneltei doar de către o persoană calificată.**
Această unealtă electrică este fabricată în conformitate cu cerințele relevante privind siguranța. Reparațiile trebuie să fie executate numai de persoane calificate, folosind piese de schimb originale, în caz contrar vor prezenta un pericol considerabil pentru utilizator.

NORME SUPLIMENTARE DE SECURITATE PENTRU MAȘINĂ

PĂSTRAȚI ACESTE INSTRUCȚIUNI.

- 1. Purtați echipament de protecție pentru ochi.**

2. Nu folosiți unealta în prezența lichidelor sau gazelor inflamabile.
3. Folosiți întotdeauna o mască antipraf sau o mască de față.
4. Verificați atent pânza cu privire la fisuri sau deteriorări înainte de folosire. Înlocuiți imediat o pânză fisurată sau deteriorată.
5. Folosiți numai pânzele de ferăstrău recomandate de producător, care sunt conforme cu standardul EN847-1.
6. Folosiți întotdeauna accesoriile recomandate în acest manual. Folosirea unor accesorii inadecvate, cum ar fi discurile abrazive de retezat, poate provoca vătămări corporale.
7. Alegeți pânza de ferăstrău adecvată pentru materialul ce urmează a fi tăiat.
8. Nu folosiți pânze de ferăstrău fabricate din oțel rapid.
9. Pentru a reduce zgomotul emis, aveți grijă întotdeauna ca pânza să fie ascuțită și curată.
10. Nu tăiați obiecte metalice cum ar fi cuie și șuruburi. Inspectați piesa de lucru și eliminați toate cuiele, șuruburile și materialele străine din aceasta înainte de începerea lucrării.
11. Îndepărtați cheile, bucățile retezate etc. de pe masă înainte de pornirea de la întrerupător.
12. NU purtați NICIODATĂ mănuși în timpul operării.
13. Nu țineți mâinile pe traiectoria pânzei de ferăstrău.
14. NU staționați sau permiteți NICIODATĂ unei persoane să staționeze pe aceeași linie cu traiectoria pânzei de ferăstrău.
15. Înainte de utilizarea uneltei pe piesa propriu-zisă, lăsați-o să funcționeze în gol pentru un timp. Încercați să identificați orice vibrație sau oscilație care ar putea indica o instalare inadecvată sau o pânză neechilibrată.
16. Înlocuiți piesa demontabilă de pe masă dacă aceasta este uzată.
17. Conectați ferăstrăul-bandă la un dispozitiv de colectare praf atunci când tăiați lemn.
18. Nu operați unealta atunci când ușa sau apărătoarea care protejează ferăstrăul-bandă sunt deschise.
19. Vă rugăm țineți cont de faptul că selectarea ferăstrăului-bandă și a vitezei depinde de materialul de tăiat.
20. Nu curățați ferăstrăul-bandă când acesta este în operare.

INSTALARE (Fig. 1 și 2)

Fixarea postamentului de ferăstrău-bandă

Dacă ferăstrăul-bandă tinde să se răstoarne, să alunece sau să se miște în timpul utilizării, postamentul ferăstrăului-bandă trebuie fixat pe podea. (Fig. 3 - 7)

- După atașarea postamentului, atașați mânerul și roțile. (Fig. 8)

Mod de încărcare a cutiei de praf

Cutia de praf este încărcată din partea inferioară a ferăstrăului-bandă. La încărcare, introduceți arcul lamelar (pentru fixare) la marginea interioară a orificiului de poziționare a uneltei, împingeți ambele eclise de cuplare ale cutiei de praf pe șine, apoi glisați spre exterior.

După ce marginea de atac a arcului lamelar de fixare intră în orificiul de fixare a uneltei, caseta de praf este încărcată. (Fig. 9 și 10)

Fixați masa la axul cardanic utilizând patru șuruburi cu cap hexagonal. (Fig. 11)

Știftul este introdus în momentul livrării, deci vă rugăm să îl scoateți. (Fig. 12)

Montarea șinei de ghidare (Fig. 13)

- Fixați șina de ghidare cu fiecare dintre cele patru șuruburi cu cap striat și șaibe la masă.

DESCRIERE FUNCȚIONALĂ

Aționarea întrerupătorului (Fig. 14)

⚠ ATENȚIE:

- Înainte de utilizare, asigurați-vă că unealta pornește și se oprește.

Capacul întrerupătorului poate fi deschis cu ușurință prin glisare în sus.

Pentru a porni unealta, apăsați butonul PORNIT (I).

Pentru a o opri, apăsați butonul OPRIT (O) sau capacul întrerupătorului.

Aprinderea lămpilor

Apăsați partea superioară (I) a întrerupătorului pentru a aprinde lampa și partea inferioară (O) pentru a o stinge.

Pentru a porni mașina, ridicați pârghia comutatoare. (Fig. 15)

Pentru a o opri, coborâți pârghia comutatoare.

Baghetă împingătoare (Fig. 16)

Bagheta împingătoare servește ca extensie a mâinii și protejează împotriva contactului accidental cu pânza ferăstrăului.

Bagheta împingătoare trebuie utilizată întotdeauna dacă distanța dintre pânza ferăstrăului-bandă și rigla de ghidare este mai mică de 150 mm.

Ghidați bagheta împingătoare la un unghi de 20° ... 30° în raport cu suprafața mesei ferăstrăului. (Fig. 17)

Când bagheta împingătoare nu este utilizată, aceasta poate fi depozitată pe suportul de baghetă împingătoare prevăzut la cadrul ferăstrăului-bandă.

Înlocuiți bagheta împingătoare dacă este deteriorată.

Calibru pentru tăieri oblice (Fig. 18)

Calibrul pentru tăieri oblice este introdus în slotul mesei dinspre marginea frontală a mesei.

Pentru tăieri oblice, calibrul se rotește la 60° în ambele direcții.

Pentru tăieri la 45° și 90° sunt prevăzute puncte de oprire.

Pentru a stabili un unghi de tăiere oblică: slăbiți mânerul de blocare rotind în sens invers acelor de ceasornic.

⚠ AVERTISMENT:

La tăierea cu calibrul pentru tăieri oblice, mânerul de blocare trebuie strâns ferm.

Rigla auxiliară poate fi demontată și inversată după slăbirea butonului rotativ.

Montarea riglei de ghidare (Fig. 19)

Rigla de ghidare poate fi utilizată pe ambele părți ale pânzei. Când rigla de ghidare este mutată dintr-o parte a pânzei de ferăstrău în cealaltă, rigla trebuie inversată.

Inversarea riglei (Fig. 20)

1. Slăbiți butonul rotativ (B) al clemei de fixare.
2. Demontați clema de fixare de pe riglă.
3. Slăbiți butonul rotativ (A).
4. Ridicați rigla de pe suportul de riglă.
5. Inversați rigla și glisați-o înapoi pe suportul de riglă.
6. Strângeți butonul rotativ (A).

7. Glisați clema de fixare pe riglă.

Fixarea riglei de ghidare

1. Amplasați rigla de ghidare pe șina de ghidare.
2. Strângeți pârghia de blocare a riglei de ghidare.
3. Slăbiți butonul rotativ (B) al clemei de fixare.
4. Glisați clema de fixare pe marginea din spate a mesei.
5. Strângeți butonul rotativ (B).

Înălțimea riglei poate fi redusă la tăierea unor materiale subțiri. (Fig. 21 și 22)

1. Slăbiți butonul rotativ (B) al clemei de fixare.
2. Demontați clema de fixare de pe riglă.
3. Slăbiți butonul rotativ (A).
4. Ridicați rigla de pe suportul de riglă.
5. Glisați butonul rotativ (A) de pe riglă pentru demontare.
6. Rotiți rigla la 90°.
7. Introduceți butonul rotativ (A) în cealaltă canelură a riglei.
8. Repoziționați rigla pe suportul de riglă.
9. Strângeți butonul rotativ (A).
10. Glisați clema de fixare pe riglă.

Când înălțimea riglei a fost redusă, punctul 0 (zero) se modifică.

Dacă rigla de ghidare se află pe partea stângă a pânzei, glisați șina de ghidare spre stânga pentru reglare la punctul 0.

ASAMBLARE

Schimbarea pânzei ferăstrăului-bandă

⚠️ ATENȚIE:

- Conectarea pânzei ferăstrăului-bandă chiar și cu ferăstrăul-bandă oprit prezintă pericol de rănire.
 - Pânza ferăstrăului este periculoasă.
- Asigurați-vă că purtați mănuși la manipularea pânzei ferăstrăului în situații precum dezambalarea, montarea sau înlocuirea.

1. Slăbiți cele două șuruburi cu cap striat pentru șina de ghidare de pe partea dreaptă și glisați șina spre dreapta. (Fig. 23)
2. Rotiți butonul rotativ (C) atât de la capacul superior, cât și de la capacul inferior în sens invers acelor de ceasornic până când acesta se oprește.
3. Slăbiți butonul rotativ (D) atât de la capacul superior, cât și de la capacul inferior.
4. Deschideți atât capacul superior, cât și capacul inferior de pe unealtă. (Fig. 24)
5. Țineți mânerul și trageți capacul de protecție contra prafului în sus pentru demontare. (Fig. 25)
6. Deschideți apărătoarea inferioară a pânzei. (Fig. 27)
7. Setați ghidajul superior al pânzei în cea mai joasă poziție. (Fig. 26)
8. Slăbiți maneta de eliberare rapidă până când pânza ferăstrăului-bandă este destinsă. (Fig. 28)
9. Pentru a demonta pânza ferăstrăului-bandă, ghidați-o prin
 - slotul din pânza ferăstrăului.
 - apărătoarea pânzei pe ghidajele superioare ale pânzei.
 - capacul pânzei pe carcasa ferăstrăului.
10. Montați o nouă pânză a ferăstrăului-bandă. Respectați poziția corectă: dinții sunt orientați spre partea frontală (ușă) a ferăstrăului.
11. Centrați pânza ferăstrăului-bandă pe roțile de cauciuc ale ferăstrăului-bandă.
12. Strângeți maneta de eliberare rapidă până când pânza nu mai alunecă pe roțile ferăstrăului-bandă.
13. Închideți apărătoarea inferioară a pânzei.

⚠️ ATENȚIE:

Închideți capacul inferior doar când apărătoarea inferioară a pânzei este închisă.

14. Readuceți șina de ghidare de pe partea dreaptă în poziția inițială.
15. Montați capacul de protecție contra prafului. (Fig. 29)
16. Închideți ambele capace.
17. Rotiți butonul rotativ (C) în sensul acelor de ceasornic până când acesta se oprește.
18. Strângeți butonul rotativ (D).
19. Apoi:
 - tensionați pânza ferăstrăului-bandă (Consultați secțiunea intitulată "Tensionarea pânzei ferăstrăului-bandă" din "DESCRIERE FUNCȚIONALĂ").
 - aliniați pânza ferăstrăului-bandă (Consultați secțiunea intitulată "Alinierea pânzei ferăstrăului-bandă" din "ASAMBLARE").
 - aliniați ghidajele pânzei (Consultați secțiunea intitulată "Reglarea ghidajului superior al pânzei" din "DESCRIERE FUNCȚIONALĂ").
 - lăsați ferăstrăul să execute o operare-test timp de un minut;
 - opriți ferăstrăul, deconectați-l de la alimentare și verificați din nou setările.

Reglare a vitezei de tăiere (Fig. 30)

1. Deschideți capacul inferior.
2. Slăbiți cureaua de acționare rotind butonul rotativ în sensul acelor de ceasornic.
3. Puneți cureaua de acționare pe rola corectă a roții de acționare (roată inferioară a ferăstrăului-bandă) și roata de motor corespunzătoare - observați eticheta din interiorul capacului inferior.

⚠️ ATENȚIE:

Cureaua de acționare trebuie să opereze fie pe ambele role frontale, fie pe ambele role posterioare. Nu amplasați niciodată cureaua trapezoidală pentru operare pe diagonală.

Buton rotativ de tensionare a curelei (Fig. 31)

Cu butonul rotativ de setare, tensiunea curelei este corectată, dacă este necesar:

- rotind butonul rotativ de setare în sensul acelor de ceasornic pentru a reduce tensiunea curelei de acționare.
- rotind butonul rotativ de setare în sens invers acelor de ceasornic pentru a mări tensiunea curelei de acționare.

Strângeți cureaua de acționare din nou rotind în sens invers acelor de ceasornic (la jumătatea distanței dintre role, cureaua de acționare se întinde cu aproximativ 10 mm). (Fig. 32)

Închideți capacul inferior.

DESCRIERE FUNCȚIONALĂ

Tensionarea pânzei ferăstrăului-bandă (Fig. 33)

⚠️ ATENȚIE:

O tensionare prea mare poate cauza ruperea pânzei ferăstrăului-bandă. O tensionare prea redusă poate cauza alunecarea roții de acționare a ferăstrăului-bandă și oprirea pânzei.

1. Ridicați complet ghidajul superior al pânzei. Utilizând scala ca ghidaj și luând în considerare lățimea pânzei, rotiți butonul pentru a regla tensiunea. (După reglare, verificați tensiunea în modul indicat la articolul 2.)

2. Verificarea tensionării pânzei:
 - verificați tensiunea împingând cu un deget, la jumătatea distanței dintre masă și ghidajul superior al pânzei, contra părții laterale a pânzei (pânza nu trebuie să se întindă cu mai mult de 1-2 mm).
 - verificați ajustarea pe indicatorul de tensiune a pânzei. Scala indica ajustarea corectă în funcție de lățimea pânzei ferăstrăului-bandă.
3. Corecți tensiunea dacă este necesar:
 - rotind butonul rotativ de setare în sensul acelor de ceasornic pentru a mări tensiunea pânzei.
 - rotind butonul rotativ de setare în sens invers acelor de ceasornic pentru a reduce tensiunea pânzei.

Alinierea pânzei ferăstrăului-bandă (Fig. 34)

Dacă pânza ferăstrăului-bandă nu se află în centrul roților de cauciuc, direcția trebuie corectată prin reglarea înclinației roții superioare a ferăstrăului-bandă:

1. Slăbiți butonul rotativ de blocare.
2. Rotiți manual roata superioară, având grijă să nu atingeți lama. (Fig. 35)
3. Rotiți butonul rotativ de setare în sensul acelor de ceasornic dacă pânza ferăstrăului-bandă este direcționată spre partea frontală a ferăstrăului.
 - rotiți butonul rotativ de setare în sens invers acelor de ceasornic dacă pânza ferăstrăului-bandă este direcționată spre partea posterioară a ferăstrăului.
4. După reglare, închideți întotdeauna butonul rotativ de blocare.

Manetă de eliberare rapidă (Fig. 36)

Maneta de eliberare rapidă servește la eliberarea tensiunii pânzei ferăstrăului.

În sensul acelor de ceasornic: Reduce tensiunea

În sens invers acelor de ceasornic: Mărește tensiunea

Reglare a ghidajului superior al pânzei (Fig. 37)

Înălțimea ghidajului superior al pânzei trebuie reglată: înaintea fiecărei operații / tăieri, pentru a adapta înălțimea piesei de lucru (ghidajul superior al pânzei trebuie stabilit la aproximativ 3 mm deasupra piesei de lucru);

- după reglări ale pânzei ferăstrăului-bandă sau pânzei de ferăstrău (de ex., schimbare a pânzei ferăstrăului-bandă, tensionarea pânzei ferăstrăului-bandă, alinierea pânzei ferăstrăului).

⚠️ ATENȚIE:

Înainte de reglarea ghidajului superior al pânzei și a înclinării mesei ferăstrăului:

- OPRIȚI unealta;
 - așteptați oprirea completă a pânzei ferăstrăului-bandă.
- Setati ghidajul superior al pânzei cu ajutorul butonului rotativ de reglare la înălțimea dorită, slăbind butonul rotativ de reglare. După reglare, asigurați-vă că ați strâns contrapiulița.
 - Nu tăiați niciodată mai multe piese de lucru în același timp - și, de asemenea, nu tăiați grupuri conținând mai multe piese individuale. Risc de accidentare dacă piesele individuale sunt prinse de pânza ferăstrăului scăpată de sub control.
1. Slăbiți bolțul C și reglați suportul lagărului astfel încât lagărul de ghidare să fie poziționat la 1 sau 2 mm față de baza pânzei. (Fig. 38 - 40)
 2. Slăbiți bolțul A și reglați lagărul axial la o poziție în care se află la aproximativ 0,5 mm față de partea posterioară a pânzei.

3. Slăbiți bolțul B și reglați lagărul axial la o poziție în care se află la aproximativ 0,5 mm față de pânza.

Aliniați ghidajul inferior al pânzei (Fig. 41)

Ghidajul inferior al pânzei constă din:

- un lagăr axial (care susține pânza ferăstrăului-bandă din partea din spate).
 - două lagăre de ghidare (asigurând suport lateral).
- Aceste părți trebuie reglate din nou după fiecare schimbare a pânzei ferăstrăului-bandă sau reglare a direcției:

Notă:

Verificați periodic lagărele axiale și lagărele de ghidare pentru uzură și, dacă este necesar, înlocuiți ambele lagăre de ghidare în același timp.

- Deschideți ușa inferioară și apărătoarea inferioară a pânzei.
- Slăbiți șurubul cu cap hexagonal, mutați întregul ghidaj inferior al pânzei și reglați lagărul de ghidare la o poziție aflată la 1 sau 2 mm de baza pânzei individuale.

Reglați lagărul axial

1. Slăbiți bolțul A.
2. Reglați poziția lagărului axial (distanță lagăr axial - pânza ferăstrău-bandă = 0,5 mm — dacă pânza ferăstrăului-bandă este rotită manual, aceasta nu trebuie să atingă lagărul axial).
3. Strângeți bolțul A.

Reglarea lagărelor de ghidare (Fig. 42)

1. Slăbiți bolțul B.
2. Poziționați lagărul de ghidare pe pânza ferăstrăului-bandă.
3. Rotiți manual roata ferăstrăului-bandă în direcția acelor de ceasornic de mai multe ori pentru a aduce lagărele de ghidare în poziția corectă. Slăbiți bolțul A și reglați lagărul axial la o poziție în care se află la aproximativ 0,5mm față de partea posterioară a pânzei. Ambele lagăre de ghidare trebuie DOAR SĂ ATINGĂ pânza ferăstrăului-bandă.
4. Strângeți din nou bolțul B.
5. Închideți apărătoarea inferioară a pânzei.
6. Închideți ușa inferioară.

Alinierea mesei ferăstrăului la unghiuri drepte cu pânza ferăstrăului-bandă (Fig. 43 și 44)

1. Ridicați complet ghidajul superior al pânzei (consultați "Operarea").
2. Verificați tensiunea pânzei ferăstrăului-bandă (consultați "DESCRIERE FUNCȚIONALĂ").
Rotiți mânerul în sensul acelor de ceasornic pentru a înclina masa în direcție inversă sensului acelor de ceasornic și rotiți mânerul în sens invers acelor de ceasornic pentru a înclina masa în direcția sensului acelor de ceasornic.
3. Slăbiți pârghia de blocare.
4. Utilizând un vinclu, setați masa la unghiuri drepte cu pânza rotind mânerul pentru a regla masa și strângeți pârghia de blocare din nou.
5. Reglați șurubul opritor până când atinge carcasa ferăstrăului.

OPERARE (Fig. 45 și 46)

⚠️ Pericol:

Pentru a reduce riscul accidentărilor cât mai mult posibil, următoarele recomandări privind siguranța trebuie respectate la operarea ferăstrăului.

⚠️ ATENȚIE:

- Atunci când tăiați nu atingeți pânza ferăstrăului.

- În timpul operațiilor cu ferăstrăul, purtați ochelari de protecție, dar nu purtați mănuși de protecție.
- Tăiați o singură piesă de lucru o dată.
- Țineți întotdeauna piesa de lucru pe masă.
- Nu tăiați mai multe piese o dată.
- Nu încercați să încetiniți pânza ferăstrăului-bandă sau să o opriți apăsând piesa de lucru din lateral pe pânza ferăstrăului.
- La tăierea dreaptă pe o riglă, utilizați o baghetă împingătoare.
- Dacă tipul de lucrare necesită, utilizați următoarele:
 - baghetă împingătoare — dacă distanța riglă de ghidare - pânză a ferăstrăului-bandă ≤ 150 mm;
 - suport de lucru - pentru butuci lungi, care altfel ar cădea de pe masă la finalizarea tăierii;
 - colector de praf;
 - când tăiați butuci rotunzi, asigurați ferm materialul conform schemei.
 - un ghidaj corespunzător pentru susținerea fermă la tăierea unor butuci subțiri, așezați pe margine.
 - mănuși pentru manipularea pânzei ferăstrăului și materialelor dure.
- Înainte de a începe lucrul, verificați dacă următoarele componente sunt în bună stare de lucru:
 - pânza ferăstrăului-bandă;
 - apărătoarea superioară și apărătoarea inferioară a pânzei.
- Înlocuiți imediat componentele defecte.
- Stați în poziția corectă de lucru (dinții pânzei ferăstrăului-bandă trebuie orientați spre operator).

Tăiere

⚠️ AVERTISMENT:

Risc de recul (piesa de lucru este prinsă de pânza ferăstrăului-bandă și aruncată spre operator).

Nu tăiați mai multe bucăți o dată.

- Selectați rigla de ghidare și înclinarea mesei pentru tipul de tăiere de efectuat.
- Setați ghidajul superior al pânzei la 3 mm deasupra piesei de lucru.

Notă:

Efectuați întotdeauna o tăiere test într-un rebut pentru a verifica setările și corectați-le dacă este necesar înainte de a tăia piesa de lucru.

- Amplasați piesa de lucru pe pânza ferăstrăului.
- Cuplați alimentarea.
- Începeți tăierea.
- Tăiați piesa de lucru într-un singur ciclu.
- Opriți unealta dacă nu mai efectuați tăieri imediat după aceea.
- Utilizați o masă secundară vândută separat.

Înclinare a mesei ferăstrăului (Fig. 47)

⚠️ ATENȚIE:

La tăierea înclinată cu masa în poziție înclinată, amplasați ghidajul pe partea inferioară a mesei.

După slăbirea pârghiei de blocare, masa ferăstrăului se înclină continuu la 45° în raport cu pânza.

Rotiți mânerul în sensul acelor de ceasornic pentru a înclina masa în direcție inversă sensului acelor de ceasornic și rotiți mânerul în sens invers acelor de ceasornic pentru a înclina masa în direcția sensului acelor de ceasornic.

Conectarea la aspirator (Fig. 48 și 49)

Operațiile de tăiere mai curate pot fi executate prin conectarea uneltei la un aspirator sau colector de praf Makita.

Dacă un extractor de praf este montat pe colectorul cu deschidere mare, re poziționați colectorul de praf pentru a vă asigura că acesta are o deschidere mare.

Mod de mutare a uneltei (Fig. 50)

- Ridicați mânerul pentru a permite mișcarea uneltei.
- În timpul transportului, apărătoarea pânzei ferăstrăului trebuie coborâtă complet și apropiată de masă.
- Nu utilizați apărătoarea la manipulare și transport.

⚠️ ATENȚIE:

- Dacă mânerul este ridicat prea sus, unealta se poate răsturna.

ÎNTREȚINERE

⚠️ ATENȚIE:

- Asigurați-vă întotdeauna că unealta este oprită și deconectată de la alimentare, înainte de a încerca să efectuați inspecția sau întreținerea.

NOTĂ:

- Nu utilizați niciodată gazolină, benzină, diluant, alcool sau alte substanțe asemănătoare. În caz contrar, pot rezulta decoloriri, deformări sau fisuri.

Curățarea

Curățați din când în când rumegușul și așchiile. Curățați cu atenție apărătoarea pânzei și componentele mobile din interiorul ferăstrăului-bandă.

Lubrifierea

Pentru a menține ferăstrăul-bandă într-o stare de funcționare ireproșabilă și pentru a asigura o durată de exploatare maximă, ungeți din când în când componentele mobile și componentele rotative.

Pentru a reduce zgomotul emis, aveți grijă întotdeauna ca pânza să fie ascuțită și curată.

Pentru a menține SIGURANȚA și FIABILITATEA produsului, reparațiile și orice alte lucrări de întreținere sau reglare trebuie executate de centre de service Makita autorizate, folosind întotdeauna piese de schimb Makita.

ACCESORII OPȚIONALE

⚠️ ATENȚIE:

- Aceste accesorii sau atașamentele sunt recomandate pentru utilizarea împreună cu unealta Makita specificată în acest manual. Utilizarea oricăror alte accesorii sau atașamente poate prezenta riscul de rănire a persoanelor. Utilizați accesoriile și atașamentele numai în scopul pentru care au fost destinate.

Dacă aveți nevoie de asistență pentru detalii suplimentare referitoare la aceste accesorii, întrebați centrul local de service Makita.

- Postament ferăstrău-bandă
- Cheie hexagonală
- Riglă de ghidare
- Calibru pentru tăieri oblice
- Atașament de tăiere circular
- Masă de extensie
- Atașament de șlefuit cu bandă

NOTĂ:

- Unele articole din listă pot fi incluse ca accesorii standard în ambalajul de scule. Acestea pot diferi în funcție de țară.

Doar pentru țările europene

Zgomot

Nivelul de zgomot ponderat tipic A este

nivel de presiune acustică: 81 dB (A)

nivel de presiune sonoră: 94 dB (A)

Eroare (K): 3 dB (A)

Purtați echipament de protecție pentru urechi.

Aceste valori au fost obținute conform standardului EN61029.

DECLARAȚIE DE CONFORMITATE CE

Doar pentru țările europene

Declarația de conformitate CE este inclusă în Anexa A a acestui manual de instrucțiuni.

SLOVENČINA (Pôvodné pokyny)

Vysvetlenie všeobecného pohľadu

1. Koleso	26. Rukoväť	55. Skriňa píly
2. Horný kryt	27. Podložka	56. Spodný chránič čepele
3. Spínač svetla	28. Skrutka s hlavou so šesťuholníkovým vybraním pre nástrčkový	57. Páčka rýchleho uvoľnenia
4. Spínač	29. Pružina platne	58. Spodné koleso pásovej píly
5. Právítko na pozdĺžne rezanie	30. Otvor pre zaistenie	59. Remenica motora
6. Spodný kryt	31. Otvor pre nastavenie polohy	60. Hnací remeň
7. Rukoväť na prenášanie	32. Stôl	61. Remenica hnacieho kolesa
8. Prachová schránka	33. Šesťhranné skrutky s maticami	62. Pribl. 10 mm
9. Gombík (pre napínanie čepele)	34. Čap	63. Poistný gombík
10. Gombík (C)	35. Kolík	64. Nastavovací gombík
11. Gombík (D)	36. Skrutka s krídlovou hlavou	65. Vodiace ložisko
12. Gombík (pre nastavenie vodiaceho prvku čepele)	37. Vodiaca lišta	66. Skrutka A
13. Gombík (pre zaistenie vodiaceho prvku čepele)	38. Kryt spínača	67. Vzdialenosť vodiaceho ložiska od spodnej strany čepele
14. Horný vodiaci prvok čepele	39. Spínač pre vypnutie OFF	68. Skrutka C
15. Čepeľ	40. Spínač pre zapnutie ON	69. Skrutka B
16. Gombík (pre napínanie remeňa V)	41. ZAP.	70. Držiak ložiska
17. Hnací remeň	42. Tyč na tlačenie	71. Prítlačné ložisko
18. Stojan	43. Meradlo pokosu	72. Skrutka
19. Pneumatika	44. Poistná rukoväť	73. Matica
20. Poistná páčka (pre zaistenie naklonenia stola)	45. Gombík	74. Lapač s veľkým otvorom
21. Otvor na odsávanie prachu	46. Gombík (A)	75. Lapač s malým otvorom
22. Páčka (rýchleho uvoľnenia)	47. Právítko	76. Malý zberač prachu (namontovaný na hlavnej jednotke)
23. Gombík (pre nastavenie sledovania rezného náradia)	48. Poistná páčka	77. Veľký zberač prachu (za účelom výmeny)
24. Držadlo (pre nastavenie naklonenia stola)	49. Držiak pravítka	78. Kofajnička
25. Rám	50. Gombík (B)	79. Výstupok
	51. Pridržiavacia svorka	80. Šesťhranná skrutka s maticou
	52. Skrutky s krídlovou hlavou	
	53. Protiprachový kryt	
	54. Čepeľ píly	

TECHNICKÉ ŠPECIFIKÁCIE

Model	LB1200F	
Veľkosť kolesa	305 mm	
Maximálna rezná kapacita	165 mm	
Otáčky pri voľnobehu	Vysoké	840 min ⁻¹ (50 Hz)/1040 min ⁻¹ (60 Hz)
	Nízke	420 min ⁻¹ (50 Hz)/520 min ⁻¹ (60 Hz)
Rýchlosť rezania	Vysoké	13,3 m/s (800 m/min) (50 Hz)/16,7 m/s (1000 m/min) (60 Hz)
	Nízke	6,7 m/s (400 m/min) (50 Hz)/8,3 m/s (500 m/min) (60 Hz)
Rozmer čepele	obvod 2240 mm x šírka 6 mm, 13 mm, 16 mm	
Celkové rozmery	615 mm x 775 mm x 1600 mm	
Rozmer stola	560 mm x 400 mm	
Čistá hmotnosť	81,2 kg	

- Kvôli pokračujúcemu programu výskumu a vývoja sa tu uvedené technické špecifikácie môžu bez predchádzajúceho upozornenia zmeniť.
- Technické špecifikácie môžu byť v každej krajine odlišné.
- Hmotnosť podľa postupu EPTA 01/2003

Symboly

END215-2

Nasledujú symboly, ktoré sa pre toto náradie používajú. Pred použitím je sa presvedčte, že ste porozumeli ich významu.



..... Prečítajte si návod na obsluhu.



..... Vytiahnite sieťovú zástrčku.



..... Používajte ochranné okuliare.



..... Nepribližujte k čepeľi ruku či prsty.



..... Len pre štáty EÚ.

Nevyhadzujte elektrické zariadenia do komunálneho odpadu!

Podľa európskej smernice o nakladaní s použitými elektrickými a elektronickými zariadeniami a zodpovedajúcich ustanovení právnych predpisov jednotlivých krajín je nutné elektrické zariadenia po skončení ich životnosti triediť a odovzdať na zberné miesto vykonávajúce environmentálne kompatibilné recyklovanie.

Určené použitie

Toto náradie je určené na rezanie dreva alebo neželezných kovov pomocou vhodnej čepele píly.

Napájanie

ENF001-1

Náradie by malo byť pripojené jedine k prívodu elektrickej energie s hodnotou napätia rovnakou ako je uvedená na štítiku s názvom zariadenia, pričom náradie môže byť napájané jedine jednofázovým striedavým prúdom. Toto náradie musí byť počas práce uzemnené na ochranu obsluhy pred úrazom elektrickým prúdom. Používajte len trojžilové predlžovacie káble s trojhrotovými zástrčkami uzemňovacieho typu a trojpólovými zásuvkami, do ktorých sa hodí zástrčka náradia.

BEZPEČNOSTNÉ POKYNY

ENA001-2

⚠ VÝSTRAHA: Pri používaní elektrického náradia je potrebné dodržiavať základné bezpečnostné opatrenia, vrátane nižšie uvedených, a to aby sa znížilo riziko vzniku požiaru, zasiahnutia elektrickým prúdom a osobného poranenia. Pred používaním výrobku si prečítajte všetky tieto pokyny a odložte si ich.

Pre bezpečnú prevádzku:

- Udržujte pracovné prostredie čisté.**
Zapratané plochy a stoly „príťahujú“ poranenia.
- Berte ohľad na prostredie pracoviska.**
Elektrické náradie nevystavujte účinkom dažďa. Elektrické náradie nepoužívajte vo vlhkých alebo mokrych prostrediach. Udržujte pracovné prostredie dobre osvetlené. Elektrické náradie nepoužívajte na miestach s rizikom vzniku požiaru alebo explózie.
- Chráňte sa pred zasiahnutím elektrickým prúdom.**
Predchádzajte telesnému kontaktu s uzemnenými povrchmi (napr. potrubia, radiátory sporáky a chladničky).
- Zabráňte prístupu detí.**
Nedovoľte návštevam dotýkať sa náradia ani predlžovacieho kábla.
Všetkým návštevníkom by ste mali zamedziť prístup na pracovnú plochu.
- Nečinné náradie odložte.**
Pokiaľ náradie nepoužívate, je potrebné ho uložiť na suché miesto, ktoré je dostatočne vysoko, alebo je uzamknuté a je mimo dosahu detí.
- Náradie nepreťažujte.**
Výkoná svoju prácu lepšie a bezpečnejšie pri určenom zaťažení.
- Používajte správne náradie.**
Malé náradie a príslušenstvo nepreťažujte ich používaním na prácu v spojení s náradím s veľkým zaťažením. Náradie nepoužívajte na účele, na ktoré nie je určené; napríklad nepoužívajte kotúčovú pílu na rezanie konárov stromov alebo klad.
- Používajte vhodný pracovný odev.**
Nenoste voľný odev ani šperky, ktoré sa môžu zachytiť do pohyblivých častí. Pokiaľ pracujete v exteriéri, odporúčame vám používať gumené rukavice a obuv s nešmykľavou podrážkou. Ak máte dlhé vlasy, noste ochrannú pokrývku vlasov.
- Používajte bezpečnostné okuliare a ochranu sluchu.**
Pokiaľ vykonávate rezanie v prašnom prostredí, používajte masku na tvár alebo proti prachovú masku.
- Používajte zariadenie na odsávanie a prachu.**
Ak sa dodávajú zariadenia na odsávanie a zhromažďovanie prachu, uistite sa, že sú riadne zapojené a správne sa používajú.

11. S káblom nijako nevhodne nemanipulujte.

Nikdy neprenášajte náradie držiak ho za kábel ani za kábel neťahajte pri odpájaní zo zásuvky. Kábel umiestňujte mimo dosahu tepla, oleja a ostrých hrán.

12. Obrobok zaistite.

Na zaistenie obrobku použite svorky alebo zverák. Je to bezpečnejšie ako pridrievanie rukou a obe ruky môžete mať voľné na obsluhu náradia.

13. Nenaťahujte sa.

Vždy stojte pevne a udržiavajte rovnováhu.

14. Vykonávajte starostlivú údržbu náradia.

Udržujte rezné náradie ostré a čisté pre dosiahnutie lepšieho a bezpečnejšieho výkonu. Dodržiavajte pokyny pre mazanie a výmenu príslušenstva. Pravidelne kontrolujte kábel a v prípade jeho poškodenia ho dajte opraviť v autorizovanom servisnom stredisku. Pravidelne kontrolujte predlžovacie káble a v prípade poškodenia ich vymeňte. Rukoväte udržiavajte suché, čisté, bez znečistenia masťou, olejom alebo mazadlom.

15. Náradie odpájajte.

Pokiaľ sa náradie nepoužíva, pred vykonávaním servisu a pri výmene príslušenstva, ako sú čepele, nástavce a rezné náradie.

16. Odstráňte nastavovacie kľúče.

Vytvorte si návyk vizuálnej kontroly odstránenia nastavovacích kľúčov z náradia pred jeho zapnutím.

17. Zabráňte náhodnému spusteniu.

Nenoste náradie pripojené k prívodu elektrickej energie s prstom na vypínači. Pri pripájaní k prívodu elektrickej energie musí byť náradie vypnuté.

18. Používajte jedine predlžovacie káble určené na použitie vonku.

Pokiaľ náradie používate v exteriéri, používajte predlžovacie káble určené na použitie vonku.

19. Buďte sústredení.

Sledujte, čo robíte. Používajte zdravý rozum. Nepoužívajte náradie ak ste unavení.

20. Kontrolujte poškodené diely.

Pred ďalším používaním náradia treba dôkladne skontrolovať ochranný kryt alebo iné poškodené diely, aby sa určilo, či budú fungovať správne a vykonávať určenú funkciu. Kontrolujte zarovnanie a voľný beh pohyblivých dielov, zlomenie dielov, namontovanie a všetky ostatné podmienky, ktoré by mohli ovplyvniť prevádzku. Ochranný kryt alebo iné poškodené diely treba riadne opraviť alebo vymeniť v autorizovanom servisnom stredisku, pokiaľ nie je v návode uvedené inak. Poruchové spínače treba nechať vymeniť v autorizovanom servisnom stredisku. Ak náradie nie je možné zapnúť a vypnúť vypínačom, nepoužívajte ho.

21. Výstraha.

Používanie akéhokoľvek príslušenstva alebo doplnku, ktorý nie je odporúčaný v tomto návode alebo v katalógu, môže predstavovať riziko osobného poranenia.

22. Opravu náradia zverte kvalifikovanej osobe.

Toto náradie je v súlade s relevantnými bezpečnostnými požiadavkami. Opravy môžu vykonávať len kvalifikované osoby pri použití originálnych náhradných dielov; inak by mohlo vzniknúť značné riziko pre používateľa.

ĎALŠIE BEZPEČNOSTNÉ ZÁSADY PRE NÁRADIE

TIETO POKYNY SI ODLOŽTE.

- Používajte ochranu očí.**

2. **Náradie nepoužívajte za prítomnosti horľavých kvapalín ani plynov.**
3. **Vždy používajte masku na tvár alebo protiprachovú masku.**
4. **Pred prácou dôkladne skontrolujte čepeľ, či neobsahuje praskliny alebo iné poškodenie. Okamžite vymeňte prasknutú alebo poškodenú čepeľ.**
5. **Používajte len pílové čepele odporúčané výrobcom a vyhovujúce norme EN847-1.**
6. **Vždy používajte príslušenstvo odporúčané v tomto návode. Pri používaní nevhodného príslušenstva, napríklad abrazívnych rozbrusovacích kotúčov, môže dôjsť k poraneniu.**
7. **Pílovú čepeľ vyberajte primerane podľa rezaného materiálu.**
8. **Nepoužívajte pílové čepele vyrobené z rýchloreznej ocele.**
9. **Na zníženie emitovaného hluku zabezpečte, aby bola čepeľ vždy ostrá a čistá.**
10. **Nerežte kovové predmety ako klince a skrutky. Pred prácou skontrolujte, či na obrobku nie sú klince, skrutky či iné cudzie materiály a prípadne ich odstráňte.**
11. **Pred tým, ako zapnete spínač, zo stola odstráňte kľúče, odrezky a pod.**
12. **NIKDY počas prevádzky nepoužívajte rukavice.**
13. **Ruky držte mimo línie pílovej čepele.**
14. **NIKDY nestojte, ani nedovoľte nikomu stáť, v línii dráhy pílovej čepele.**
15. **Pred tým, ako použijete náradie na konkrétnom obrobku, nechajte ho chvíľu bežať. Sledujte, či nedochádza k vibráciám alebo hádzaniu, ktoré by mohlo naznačovať nesprávnu montáž alebo nesprávne vyváženú čepeľ.**
16. **V prípade opotrebovania vymeňte vložku stola.**
17. **Počas rezania dreva pripojte pásovú pílu k zariadeniu lapača prachu.**
18. **Strojné zariadenie neprevádzkujte pokiaľ sú dvierka alebo chránič chrániaci pásovú pílu otvorené.**
19. **Dávajte pozor na to, že voľba pásovej píly a rýchlosť závisia na materiáli, ktorý budete rezať.**
20. **Pásovú pílu nečistíte počas doby, kedy sa pohybuje.**

INŠTALÁCIA (Obr. 1 a 2)

Zaistenie stojana pásovej píly

Ak by počas prevádzky došlo k tomu, že by sa pásová píla takmer prevrátila, skĺzla alebo posunula, mali by ste upevniť stojan pásovej píly zaistiť k podlahe. (Obr. 3 - 7)

- Po namontovaní stojana namontujte rukoväť a pneumatiky. (Obr. 8)

Ako namontovať schránku na prach

Schránka na prach sa namontuje zo spodnej strany stolovej píly. Pri namontovaní zasuňte pružinu platne (pre zaistenie) za vnútorný okraj otvoru pre nastavenie polohy na stroji, obidva výstupky schránky na prach zasuňte do kolajničiek a následne zasuňte smerom von.

Akonáhle hlavný okraj zaisťovacej pružiny platne zapadne do zaisťovacieho otvoru na stroji, schránka na prach je namontovaná. (Obr. 9 a 10)

Stôl zaistíte ku čapu pomocou štyroch šesťhranných skrutiek s maticami. (Obr. 11)

Kolík bol zasunutý v čase expedície; vyťahnite ho prosím. (Obr. 12)

Inštalácia vodiacej lišty (Obr. 13)

- Vodiacu lištu upevnite pomocou štyroch skrutiek s krídlovou hlavou a podložiek ku stolu.

POPIS FUNKCIÍ

Funkcie spínačov (Obr. 14)

⚠ UPOZORNENIE:

- Pred úkonom náradie vypnite a zapnite.
- Kryt spínača je možné otvoriť jednoduchým spôsobom jeho posunutím nahor.
Náradie spustíte stlačením tlačidla ON (I).
Nástroj vypnete stlačením tlačidla OFF (O) alebo krytu spínača.

Zapnutie osvetlenia

Potlačte hornú polohu (I) spínača, ak chcete svetlo zapnúť a dolnú polohu (O), ak ho chcete vypnúť.

Ak chcete zapnúť náradie, nadvihnite páčku prepínača. (Obr. 15)
Ak ho chcete vypnúť, páčku prepínača posuňte nadol.

Tyč na tlačenie (Obr. 16)

Tyč na tlačenie slúži ako predĺženie ruky a chráni pred náhodným stykom s pílovou čepeľou.
Tyč na tlačenie sa musí používať vždy, pokiaľ je vzdialenosť medzi čepeľou pásovej píly a pravítkom na pozdĺžne rezanie menej ako 150 mm.

Tyč na tlačenie vedte pod uhlom 20° ... 30° vo vzťahu k povrchu stola píly. (Obr. 17)

Pokiaľ tyč na tlačenie nepoužívate, môžete ju uložiť použitím držiaka na tyč na tlačenie na ráme pásovej píly.
V prípade poškodenia tyč na tlačenie vymeňte.

Meradlo pokosu (Obr. 18)

Meradlo pokosu sa zasúva do štrbiny stola zo strany prednej hrany stola.

Kvôli vykonávaniu pokosových rezov sa meradlo pokosu môže otočiť o 60° v oboch smeroch.

Pre pokosy hodnoty 45° a 90° sa dodávajú pevné zarážky.

Ako sa nastaví uhol pokosu: poistnú rukoväť uvoľnite jej otočením proti smeru hodinových ručičiek.

⚠ VÝSTRAHA:

Pri vykonávaní pomocou meradla pokosu musí byť poistná rukoväť pevne utiahnutá.

Prídavné pravítko je možné demontovať a po uvoľnení gombíka otočiť.

Inštalácia pravítka na pozdĺžne rezanie (Obr. 19)

Pravítko na pozdĺžne rezanie sa môže používať na obidvoch stranách čepele. Pokiaľ pravítko na pozdĺžne rezanie presuniete z jednej strany pílovej čepele na druhú, pravítko je potrebné otočiť.

Otočenie pravítka (Obr. 20)

1. Uvoľnite gombík (B) pridržiavacej svorky.
2. Z pravítka snímte pridržiavaciu svorku.
3. Uvoľnite gombík (A).
4. Pravítko zdvihnite z držiaka pravítka.
5. Pravítko otočte a nasuňte ho naspäť do držiaka pravítka.
6. Uťahnite gombík (A).
7. Na pravítko nasuňte pridržiavaciu svorku.

Upnutie pravítka na pozdĺžne rezanie

1. Pravítko na pozdĺžne rezanie umiestnite na vodiacu lištu.
2. Utiahnite poistnú páčku pravítka na pozdĺžne rezanie.
3. Uvoľnite gombík (B) pridržiavacej svorky.
4. Posuňte pridržiavaciu svorku smerom k zadnej hrane stola.
5. Utiahnite gombík (B).

Počas rezania tenkých materiálov je možné výšku pravítka zmenšiť. **(Obr. 21 a 22)**

1. Uvoľnite gombík (B) pridržiavacej svorky.
2. Z pravítka snímte pridržiavaciu svorku.
3. Uvoľnite gombík (A).
4. Pravítko zdvihnite z držiaka pravítka.
5. Posuňte gombík (A) z pravítka a demontujte ho.
6. Otočte pravítko o 90°.
7. Zasuňte gombík (A) do druhej drážky pravítka.
8. Pravítko vráťte do držiaka pravítka.
9. Utiahnite gombík (A).

10. Na pravítko nasuňte pridržiavaciu svorku.

Pri znížení výšky pravítka sa bod 0 (nula) zmení. Pokiaľ je pravítko na pozdĺžne rezanie na ľavej strane čepele, posuňte vodiacu lištu doľava a nastavte na bod 0.

MONTÁŽ

Výmena čepele pásovej píly

⚠ UPOZORNENIE:

- Kontakt s čepeľou pásovej píly aj pokiaľ čepeľ pásovej píly stojí môže mať za následok osobné poranenie.
- Pílová čepeľ je nebezpečná.

Pri manipulácii s pílovou čepeľou, ako je vyberanie z obalu, montáž alternatívnej čepele alebo výmena čepele, vždy používajte rukavice.

1. Uvoľnite dve skrutky s krídlovou hlavou pravej vodiacej koľajničky a posuňte koľajničku na pravej strane doprava. **(Obr. 23)**
2. Otočte gombík (C) na hornom kryte aj spodnom kryte proti smeru hodinových ručičiek až na doraz.
3. Uvoľnite gombík (D) na hornom kryte aj spodnom kryte.
4. Otvorte horný kryt aj spodný kryt na náradí. **(Obr. 24)**
5. Uchopte rukoväť a protiprachový kryt demontujte vyťahnutím nahor. **(Obr. 25)**
6. Otvorte spodný chránič čepele. **(Obr. 27)**
7. Nastavte horný vodiaci prvok čepele do jeho najnižšej polohy. **(Obr. 26)**
8. Uvoľnite Páčka rýchleho uvoľnenia dokiaľ sa čepeľ pásovej píly nepovolí. **(Obr. 28)**
9. Pokiaľ chcete čepeľ pásovej píly demontovať, vedte ju cez
 - štrbinu j pílovej čepele
 - chránič čepele na horných vodiacich prvkoch čepele
 - kryt čepele na skrini čepele.
10. Namontujte novú pílovú čepeľ. Dávajte pozor na správnu polohu: ozubenie smeruje smerom ku prednej strane (dvierka) píly.
11. Vycentrujte čepeľ pásovej píly na plášťoch kolies pásovej píly.
12. Utiahnite Páčka rýchleho uvoľnenia dokiaľ sa čepeľ nebude naďalej zosúvať z kolies pásovej píly.
13. Zatvorte spodný chránič čepele.

⚠ UPOZORNENIE:

Spodný kryt zatvorte jedine ak je spodný chránič čepele v zatvorenej polohe.

14. Pravú vodiacu koľajničku vráťte do pôvodnej polohy.

15. Namontujte protiprachový kryt. **(Obr. 29)**
16. Zatvorte obidva kryty.
17. Otočte gombík (C) v smere hodinových ručičiek až na doraz.
18. Utiahnite gombík (D).
19. Následne:
 - napnite pílovú čepeľ (pozrite si časť s názvom „Napnutie čepele pásovej píly“ v kapitole „POPIS FUNKCIÍ“).
 - zarovnajete pílovú čepeľ (pozrite si časť s názvom „Zarovnanie čepele pásovej píly“ v kapitole „MONTÁŽ“).
 - zarovnajete vodiace prvky čepele (pozrite si časť s názvom „Zarovnanie horného vodiaceho prvku čepele“ v kapitole „POPIS FUNKCIÍ“).
 - vyskúšajte pílu tak, že ju necháte aspoň jednu minútu bežať;
 - zastavte pílu, odpojte ju od prívodu elektrickej energie a opätovne skontrolujte nastavenia.

Nastavenie rýchlosti rezania (Obr. 30)

1. Otvorte spodný kryt.
2. Hnací remeň uvoľnite otočením gombíka v smere hodinových ručičiek.
3. Hnací remeň umiestnite na požadovanú remenicu hnacieho kola (spodné koleso pásovej píly) a zodpovedajúcu remenicu motora - všimnite si nálepku vnútri spodného krytu.

⚠ UPOZORNENIE:

Hnací remeň musí bežať na obidvoch predných alebo obidvoch zadných remenicách. Nikdy nenechajte remeň V bežať diagonálne.

Nastavovací gombík napnutia remeňa (Obr. 31)

Pomocou nastavovacieho gombíka môžete v prípade potreby upraviť napnutie remeňa:

- otáčaním nastavovacieho gombíka v smere hodinových ručičiek sa znižuje napnutie hnacieho remeňa.
- otáčaním nastavovacieho gombíka proti smeru hodinových ručičiek sa zvyšuje napnutie hnacieho remeňa.

Hnací remeň opätovne utiahnite otáčaním gombíka proti smeru hodinových ručičiek (v polovici medzi remenicami by mal mať hnací remeň prehyb asi 10 mm). **(Obr. 32)**

Zatvorte spodný kryt.

POPIS FUNKCIÍ

Napnutie čepele pásovej píly (Obr. 33)

⚠ UPOZORNENIE:

Príliš veľké napnutie môže spôsobiť zlomenie čepele pásovej píly. Veľmi nízke napnutie môže spôsobiť, že hnané koleso pásovej píly bude prešmykovať a čepeľ pásovej píly sa zastaví.

1. Úplne zdvihnite horný vodiaci prvok čepele. Pomocou mierky ako vodiaceho prvku a berúc do úvahy šírku čepele, otáčaním gombíka nastavte napnutie. (Po nastavení skontrolujte napnutie, ako je to znázornené v položke 2.)
2. Kontrola napnutia čepele:
 - napnutie skontrolujte tlakom prsta v polovici medzi stolom a horným vodiacim prvkom čepele, a to a smerom na stranu čepele (čepeľ by sa nemala prehnúť o viac ako 1-2 mm).
 - skontrolujte nastavenie na indikátore napnutia čepele. Na mierke je znázornené správne napnutie v závislosti na šírke čepele pásovej píly.
3. V prípade potreby napnutie upravte:
 - otáčaním nastavovacieho gombíka v smere hodinových ručičiek sa zvyšuje napnutie čepele.

- otáčaním nastavovacieho gombíka proti smeru hodinových ručičiek sa znižuje napnutie čepele.

Zarovnanie čepele pásovej píly (Obr. 34)

Pokiaľ čepeľ pásovej píly nebeží v strede medzi gumenými plášťami, je potrebné upraviť sledovanie, a to nastavením sklopenia horného kolesa pásovej píly:

1. Uvoľnite poistný gombík.
2. Manuálne otáčajte horným kolesom a dávajte pozor, aby ste sa nedotkli čepele. (Obr. 35)
3. Otočte nastavovací gombík v smere hodinových ručičiek pokiaľ čepeľ pásovej píly beží smerom ku prednej časti píly.
 - Otočte nastavovací gombík proti smeru hodinových ručičiek pokiaľ čepeľ pásovej píly beží smerom ku zadnej časti píly.
4. Po nastavení vždy utiahnite poistný gombík.

Páčka rýchleho uvoľnenia (Obr. 36)

Pomocou páčky rýchleho uvoľnenia je možné napnutie pílovej čepele uvoľniť.

V smere hodinových ručičiek: zníženie napnutia
 Proti smeru hodinových ručičiek: zvýšenie napnutia

Nastavenie horného vodiaceho prvku čepele (Obr. 37)

Výšku horného vodiaceho prvku čepele je potrebné nastaviť: pred každou činnosťou rezania/prevádzkou s cieľom prispôbiť nastavenie výšky obrobku (horný vodiaci prvok čepele by mal byť nastavený približne 3 mm nad obrobkom);

- po nastaveniach čepele pásovej píly alebo stola píly (napr. výmena čepele pásovej píly, napnutie čepele pásovej píly, nastavenie stola píly).

⚠ UPOZORNENIE:

Pred nastavením horného vodiaceho prvku čepele a naklonenia stola píly:

- stroj VYPNITE;
- počkajte dokiaľ sa čepeľ pásovej píly úplne nezastaví.
- Pomocou nastavovacieho gombíka nastavte horný vodiaci prvok čepele na požadovanú výšku, a to uvoľnením poistného gombíka. Po nastavení nezabudnite utiahnuť poistnú maticu.
- Nikdy naraz nerežte niekoľko kusov - a taktiež ani zväzky obsahujúce niekoľko samostatných kusov. Existuje riziko osobného poranenia, pokiaľ sa samostatné kusy nekontrolovane zachytia pílovou čepeľou.

1. Uvoľnite skrutku C a nastavte držiak ložiska tak, aby sa vodiace ložisko nachádzalo 1 alebo 2 mm od spodku čepele. (Obr. 38 - 40)
2. Uvoľnite skrutku A a nastavte prítlačné ložisko do polohy 0,5 mm od zadnej časti čepele.
3. Uvoľnite skrutku B a nastavte vodiace ložisko do polohy 0,5 mm od zadnej časti čepele.

Nastavenie spodného vodiaceho prvku čepele (Obr. 41)

Spodný vodiaci prvok čepele pozostáva z:

- prítlačného ložiska (podporujúceho čepeľ pásovej píly zozadu).
- dvoch vodiacich ložísk (poskytujúcich priečnu podporu).

Tieto súčasti je potrebné opätovne nastaviť po každej výmene čepele pásovej píly alebo nastavení sledovania:

Poznámka:

Pravidelne kontrolujte opotrebovanie prítlačných ložísk a vodiacich ložísk; v prípade potreby vymeňte naraz obidve vodiace ložiská.

- Otvorte dvierka spodného krytu a spodný chránič čepele.
- Uvoľnite šesťhrannú skrutku s maticou, posuňte celý spodný vodiaci prvok čepele a nastavte vodiace ložisko do polohy 1 alebo 2 mm od spodnej časti samotnej čepele.

Nastavenie prítlačného ložiska

1. Uvoľnite skrutku A.
2. Nastavte polohu prítlačného ložiska (vzdialenosť prítlačného ložiska od čepele pásovej píly = 0,5 mm - pokiaľ čepeľ pásovej píly otáčate rukou, nesmie sa dotýkať prítlačného ložiska).
3. Utiahnite skrutku A.

Nastavenie vodiacich ložísk (Obr. 42)

1. Uvoľnite skrutku B.
2. Nastavte vodiace ložisko ku čepeli pásovej píly.
3. Otočte rukou kolesom pásovej píly v smere hodinových ručičiek niekoľkokrát a nastavte vodiace ložiská do správnej polohy. Uvoľnite skrutku A a nastavte prítlačné ložisko do polohy 0,5mm od zadnej časti čepele. Obidve vodiace ložiská by sa mali IBA DOTÝKAŤ čepele pásovej píly.
4. Opätovne utiahnite skrutku B.
5. Zatvorte spodný chránič čepele.
6. Zatvorte dvierka spodného krytu.

Nastavenie stola píly v pravých uhloch vo vzťahu k čepeli pásovej píly (Obr. 43 a 44)

1. Horný vodiaci prvok čepele úplne zdvihnite (pozrite si časť „Prevádzka“).
2. Skontrolujte napnutie čepele pásovej píly (pozrite si časť „POPIS FUNKCIÍ“). Otáčaním rukoväte v smere hodinových ručičiek skloníte stôl proti smeru hodinových ručičiek a otáčaním rukoväte proti smeru hodinových ručičiek skloníte stôl v smere hodinových ručičiek.
3. Uvoľnite poistnú páčku.
4. Pomocou trojuholníkového pravítka nastavte stôl v pravých uhloch vo vzťahu k čepeli; otáčaním rukoväte nastavte stôl a opätovne utiahnite poistnú páčku.
5. Nastavte skrutku fixačnej zarážky tak, aby sa dotýkala skrine píly.

PREVÁDZKA (Obr. 45 a 46)

⚠ Nebezpečenstvo:

Aby sa čo najviac znížilo riziko osobných poranení, pri prevádzkovaní píly by ste mali dodržiavať nasledujúce bezpečnostné odporúčania.

⚠ UPOZORNENIE:

- Počas rezania sa nedotýkajte pílovej čepele.
- Počas práce s pílou používajte ochranné okuliare, ale nepoužívajte rukavice.
- Naraz režte iba jeden obrobok.
- Obrobok vždy pridržavajte na stole.
- Žiadny obrobok nevtláčajte.
- Nepokúšajte sa čepeľ pásovej píly spomaliť alebo zastaviť tlačením obrobku smerom k pílovej čepeli z boku.
- Pri priamych rezoch vedených pozdĺž pravítka používajte tyčku na tlačenie.
- Pokiaľ potrebujete vykonať takýto typ práce, použite:
 - tyč na tlačenie - pokiaľ je vzdialenosť medzi pravítkom na pozdĺžne rezanie a čepeľou pásovej píly ≤ 150 mm;
 - pracovnú podperu - v prípade dlhých kusov, ktoré by v opačnom prípade po dokončení rezu zo stola spadli;

- zberač prachu;
 - pri rezaní okrúhlych materiálov pevne zaistíte materiál podľa obrázka.
 - vhodný vodiaci prvok pre pevnú podporu pri rezaní tenkých kusov položených na hrane.
 - ruky na manipuláciu s čepeľou pásovej píly a drsným materiálom.
- Pred začatím práce skontrolujte, že nasledujúce súčasti sú v dobrom prevádzkovom stave:
 - čepeľ pásovej píly;
 - horný a dolný chránič čepele.
 - Poškodené súčasti okamžite vymeňte.
 - Zaujmite správnu pracovnú polohu (ostrie čepele pásovej píly musí smerovať k obsluhu).

Pílenie

⚠ VÝSTRAHA:

Riziko spätného nárazu (obrobok je zachytený čepeľou pásovej píly a odhodený smerom k obsluhu).

Žiadny obrobok nevtlačajte.

- Pre typ vykonávanej činnosti rezania si vyberte správne pravítko pre pozdĺžne rezanie a sklonenie stola.
- Nastavte horný vodiaci prvok čepele 3 mm nad obrobok.

Poznámka:

Nastavenia overte vykonaním skúšobného rezu na kuse nepoužiteľného odpadu; v prípade potreby pred rezaním obrobku nastavenie upravte.

- Obrobok položte na pílovú čepeľ.
- Pripojte k prívodu elektrickej energie.
- Spustíte pílu.
- Kus rozrežte jedným ťahom.
- Okamžite po vykonaní rezu vypnite, pokiaľ nebudete v rezaní pokračovať.
- Použite samostatne predávaná pomocný stôl.

Naklonenie stola píly (Obr. 47)

⚠ UPOZORNENIE:

Pri pokosovom rezaní s skloneným stolom umiestnite vodiaci prvok na spodnú časť stola.

Po uvoľnení poistnej páčky je možné stôl píly skláňať v krokoch do hodnoty 45° vzhľadom k čepeľi.

Otáčaním rukoväte v smere hodinových ručičiek skloníte stôl proti smeru hodinových ručičiek a otáčaním rukoväte proti smeru hodinových ručičiek skloníte stôl v smere hodinových ručičiek.

Pripojenie vysávača (Obr. 48 a 49)

Čistejšie operácie je možné vykonať pripojením náradia k vysávaču Makita alebo k zberaču prachu.

Pokiaľ je odsávač prachu nainštalovaný na lapač s veľkým otvorom, lapač prachu usporiadajte tak, aby mal veľký otvor.

Ako prenášať stôl (Obr. 50)

- Zdvihnutím za rukoväť umožníte pohyb stroja.
- Počas prepravy by mal byť chránič čepele pásovej píly úplne dolu na stole a mal by byť zatvorený.
- Chránič nepoužívajte na prepravu ani manipuláciu.

⚠ UPOZORNENIE:

- Pokiaľ držiak za rukoväť zdvihnete veľmi vysoko, stroj sa môže prevrhnúť.

ÚDRŽBA

⚠ UPOZORNENIE:

- Pred vykonaním kontroly alebo údržby vždy skontrolujte, či je nástroj vypnutý a odpojený od prívodu elektrickej energie.

POZNÁMKA:

- Nikdy nepoužívajte benzín, benzínový čistič, riedidlo, alkohol ani nič podobné. Mohlo by to spôsobiť zmenu farby, deformácie alebo praskliny.

Čistenie

Raz za čas vyčistite piliny a triesky. Pozorne vyčistite chránič čepele a pohyblivé časti vnútri pásovej píly.

Mazanie

Aby ste udržali pásovú pílu v dokonalom stave a aby sa zabezpečila maximálna životnosť, raz za čas naolejujte alebo namažte pohyblivé a otočné časti.

Na zníženie emitovaného hluku zabezpečte, aby bola čepeľ vždy ostrá a čistá.

Ak chcete zachovať BEZPEČNOSŤ a POLAHLIVOSŤ výrobku, prenechajte opravy, údržbu a nastavenie na autorizované servisné centrá Makita, ktoré používajú len náhradné diely značky Makita.

VOLITEĽNÉ PRÍSLUŠENSTVO

⚠ UPOZORNENIE:

- Tieto doplnky a príslušenstvo sú odporúčané pre použitie s náradím Makita, uvedeným v tomto návode. Používanie iného, než ako odporúčaného príslušenstva a doplnkov môže znamenať riziko úrazu osôb. Príslušenstvo používajte odporúčaným spôsobom a iba na účely, pre ktoré je určené.

Ak potrebujete pomoc a ďalšie podrobnosti ohľadom tohto príslušenstva, obráťte sa na vaše miestne servisné stredisko Makita.

- Stojan pásovej píly
- Šesťhranný nástrčný kľúč
- Pravítko na pozdĺžne rezanie
- Meradlo pokosu
- Kruhovú reznú príslušenstvo
- Vysúvací stôl
- Pásovú brúsnu príslušenstvo

POZNÁMKA:

- Niektoré položky zo zoznamu môžu byť súčasťou balenia náradia vo forme štandardného príslušenstva. Rozsah týchto položiek môže byť v každej krajine odlišný.

Len pre európske krajiny

Hluk

Typické merané úroveň hluku A sú

úroveň akustického tlaku: 81 dB (A)

úroveň akustického výkonu: 94 dB (A)

Odchýlka (K): 3 dB (A)

Používajte ochranu sluchu.

Tieto hodnoty boli získané podľa normy EN61029.

VYHLÁSENIE O ZHODE SO SMERNICAMI EURÓPSKEHO SPOLOČENSTVA

Len pre európske krajiny

Vyhlásenie o zhode so smernicami Európskeho spoločenstva je súčasťou prílohy A tohto návodu na obsluhu.

ČESKY (Originální návod)

Vysvětlení k celkovému pohledu

1. Pásovice	28. Šroub s vnitřním šestihranem	56. Dolní chránič pilového pásu
2. Horní kryt	29. Listová pružina	57. Páka rychlého uvolnění
3. Přepínač světla	30. Zajišťovací otvor	58. Dolní pásovnice
4. Spínač	31. Polohový otvor	59. Řemenice motoru
5. Podélné pravítko	32. Stůl	60. Hnací řemen
6. Dolní kryt	33. Imbusové šrouby	61. Řemenice hnacího kola
7. Přemisťovací držadlo	34. Výkyvný čep	62. Přibližně 10 mm
8. Nádoba na piliny	35. Čep	63. Pojistný knoflík
9. Knoflík (k napínání pilového pásu)	36. Křídlatý šroub	64. Seřizovací knoflík
10. Knoflík (C)	37. Vodicí lišta	65. Vodicí ložisko
11. Knoflík (D)	38. Kryt přepínače	66. Šroub A
12. Knoflík (k seřízení vedení pilového pásu)	39. Spínač VYP.	67. Vzdálenost vodicího ložiska od paty zubů
13. Knoflík (k zajištění vedení pilového pásu)	40. Spínač ZAP.	68. Šroub C
14. Horní vedení pilového pásu	41. ZAP.	69. Šroub B
15. Pilový pás	42. Tlačná tyč	70. Držák ložiska
16. Knoflík (k napínání klínového řemene)	43. Měřidlo pokosu	71. Opěrné ložisko
17. Hnací řemen	44. Pojistné držadlo	72. Šroub
18. Podstavec pily	45. Knoflík	73. Matice
19. Kolo	46. Knoflík (A)	74. Velký otvor odsávání
20. Zajišťovací páčka (k zajištění náklonu stolu)	47. Pravítko	75. Malý otvor odsávání
21. Vývod odsávání pilin	48. Zajišťovací páčka	76. Malý otvor odsávání (nainstalovaný na hlavní jednotce)
22. Páka (rychlého uvolnění)	49. Držák pravítka	77. Velký otvor odsávání (k provedení výměny)
23. Knoflík (k seřízení dráhy pilového pásu)	50. Knoflík (B)	78. Vedení
24. Rukojeť (k seřízení náklonu stolu)	51. Přítlačná příchytká	79. Osazení
25. Rám	52. Křídlaté šrouby	80. Imbusový šroub
26. Držadlo	53. Kryt proti vniknutí pilin	
27. Podložka	54. Pilový pás	
	55. Plášť pily	

TECHNICKÉ ÚDAJE

Model	LB1200F	
Průměr pásovice	305 mm	
Max. kapacita řezání	165 mm	
Otáčky při volnoběhu	Vysoké	840 min ⁻¹ (50 Hz)/1 040 min ⁻¹ (60 Hz)
	Nízké	420 min ⁻¹ (50 Hz)/520 min ⁻¹ (60 Hz)
Řezná rychlost	Vysoké	13,3 m/s (800 m/min) (50 Hz)/16,7 m/s (1 000 m/min) (60 Hz)
	Nízké	6,7 m/s (400 m/min) (50 Hz)/8,3 m/s (500 m/min) (60 Hz)
Rozměry pilového pásu	Obvod 2 240 mm x šířka 6 mm, 13 mm, 16 mm	
Celkové rozměry	615 mm x 775 mm x 1 600 mm	
Velikost stolu	560 mm x 400 mm	
Čistá hmotnost	81,2 kg	

- Díky našemu trvalému programu výzkumu a vývoje mohou být zde uvedené specifikace změněny i bez předchozího upozornění.
- Specifikace se mohou v různých zemích lišit.
- Hmotnost podle EPTA – Procedure 01/2003

Symboły

END215-2

V popisu jsou využity následující symboly. Před použitím se ujistěte, zda rozumíte jejich významu.



..... Přečtěte si návod k obsluze.



..... Vytáhněte zástrčku ze zásuvky.



..... Noste ochranné brýle.



..... K pilovému pásu nepřibližujte ruce ani prsty.



..... Jen pro státy EU
Elektrická zařízení nelikvidujte současně s domovním odpadem!

Vzhledem k dodržování evropské směrnice o odpadních elektrických a elektronických zařízeních včetně její implementace v souladu s národními zákony musí být elektrické zařízení po skončení životnosti shromážděno odděleně a předáno do ekologického recyklačního zařízení.

Účel použití

Toto zařízení je určeno k řezání dřeva a neželezných kovů použitím vhodného pilového pásu.

Napájení

ENF001-1

Zařízení je třeba připojit pouze k napájení se stejným napětím, jaké je uvedeno na výrobním štítku, a může být provozováno pouze v jednofázovém napájecím okruhu se střídavým napětím. V rámci ochrany obsluhy před úrazem elektrickým proudem musí být nářadí během provozu uzemněno. Používejte pouze třížilové prodlužovací

kabely vybavené třípólovými zemnicími zástrčkami a odpovídající třípólové zásuvky k připojení nářadí.

BEZPEČNOSTNÍ POKYNY

ENA001-2

⚠ VAROVÁNÍ: Při používání elektrického nářadí vždy dodržujte základní bezpečnostní opatření včetně následujících pokynů – omezíte tak nebezpečí vzniku požáru, úrazu elektrickým proudem a zranění. Před použitím výrobku si prostudujte všechny tyto pokyny a uschovejte je pro budoucí potřebu.

Pokyny k bezpečné obsluze:

- 1. Na pracovišti udržujte čistotu.**
Nepořádek v pracovním prostoru a na pracovním stole zvyšuje nebezpečí zranění.
- 2. Posuďte prostředí pracoviště.**
Elektrické nářadí nevystavujte dešti. Nepoužívejte je v mokřem či vlhkém prostředí. Zajistěte dobré osvětlení pracoviště. S elektrickým zařízením nepracujte v místě, kde hrozí nebezpečí vzniku požáru či výbuchu.
- 3. Chraňte se před úrazem elektrickým proudem.**
Vyvarujte se tělesného kontaktu s uzemněnými předměty (např. s potrubím, radiátory, sporáky či chladničkami).
- 4. Nepracujte v blízkosti dětí.**
Nepovoláním osobám nedovolte sahat na zařízení a prodlužovací kabel.
Nepovolání osoby se musí zdržovat mimo pracoviště.
- 5. Nepoužívané zařízení uskladněte.**
Pokud zařízení nepoužíváte, uložte je na suché, vyvýšené či uzamykatelné místo mimo dosah dětí.
- 6. Na zařízení nevyvíjejte příliš velkou sílu.**
Práci odvede nejlépe a nejbezpečněji takovou rychlostí, pro jakou je určeno.
- 7. Používejte odpovídající nářadí.**
Nepoužívejte malé nářadí nebo příslušenství k práci, kterou by mělo odvést velké nářadí. Nepoužívejte nářadí k účelům, pro něž není určeno; nepoužívejte například okružní pilu k řezání větví či kmenů stromů.
- 8. Vhodně se oblékejte.**
Nenoste volný oděv a šperky – mohly by se zachytit za pohyblivé části. Při práci venku doporučujeme používat gumové rukavice a neklouzavou pracovní obuv. Máte-li dlouhé vlasy, noste ochrannou pokrývku hlavy.
- 9. Používejte ochranné brýle a chrániče sluchu.**
Vzniká-li při řezání hodně pilin, použijte obličejový štít nebo respirátor.
- 10. Připojte zařízení k odsávání pilin.**
Umožňuje-li zařízení připojení odsavače a sběrného zařízení, zajistěte jeho připojení a správné využívání.
- 11. Nenakládejte s kabelem nesprávným způsobem.**
Nářadí nikdy nepřeházejte za kabel a neodpojujte jej ze zásuvky taháním za kabel. Zamezte kontaktu kabelu se zdroji tepla, olejem a ostrými hranami.
- 12. Dodržujte zásady bezpečnosti práce.**
K upevnění obrobku použijte svěrky nebo svěrák. Tento postup je bezpečnější než přidržování obrobku rukou a obě ruce se vám uvolní k obsluze zařízení.
- 13. Pracujte opatrně.**
Vždy zaujměte pevný postoj bez ztráty rovnováhy.
- 14. Udržujte nástroje v dobrém stavu.**
Řezné nástroje udržujte ostré a čisté – docílíte lepšího a bezpečnějšího výkonu. Při mazání a výměně příslušenství postupujte podle pokynů. Pravidelně kontrolujte napájecí kabely nářadí a v případě poškození je nechejte opravit v

autorizovaném servisním středisku. Pravidelně kontrolujte prodlužovací kabely a zjistíte-li poškození, vyměňte je. Držadla udržujte suchá, čistá a neumazaná olejem či vazelinou.

- 15. Nepoužívané zařízení odpojte.**
Jestliže zařízení nepoužíváte, před prováděním údržby a před výměnou řezacího příslušenství jej odpojte od zdroje napájení.
- 16. Odstraňte seřizovací klíče a nářadí.**
Před zapnutím si navykněte vždy zkontrolovat, zda jsou ze zařízení odstraněny seřizovací klíče a nářadí.
- 17. Zamezte nechtěnému spuštění.**
Zapojené nářadí nepřeházejte s prstem na spínači. Před zapojením do zásuvky se ujistěte, že je zařízení vypnuté.
- 18. Používejte prodlužovací kabely určené k provozu venku.**
Při práci s nářadím mimo budovu používejte pouze prodlužovací kabely určené k venkovnímu použití.
- 19. Bud'te ve střehu.**
Soustřed'te se na prováděnou činnost. Používejte zdravý rozum.
Se zařízením nepracujte, pokud jste unaveni.
- 20. Kontrolujte poškození dílů.**
Před dalším používáním zařízení je nutné pečlivě zkontrolovat kryty i jakékoli jiné poškozené díly a zjistit, zda bude zařízení i nadále správně pracovat a plnit příslušnou funkci. Zkontrolujte vyrovnaní a volný chod pohyblivých částí, nejsou-li některé díly rozbité či uvolněné a zda nenastaly nějaké potíže ovlivňující funkci zařízení. Pokud není v tomto návodu k obsluze stanoveno jinak, musí být poškozený kryt či jiný díl řádně opraven nebo vyměněn autorizovaným servisem. Vadné přepínače musí být vyměněny autorizovaným servisem. Zařízení nepoužívejte, jestliže vypínač nezapíná a nevypíná.
- 21. Upozornění**
Používání jiného příslušenství a jiných nástavců než doporučených v tomto návodu k obsluze a katalogu může představovat nebezpečí zranění.
- 22. Opravu zařízení přenechejte kvalifikované osobě.**
Toto elektrické zařízení odpovídá příslušným bezpečnostním požadavkům. Opravy smí provádět pouze kvalifikovaní pracovníci s využitím originálních náhradních dílů – v opačném případě může být uživatel vystaven vážnému nebezpečí.

DALŠÍ BEZPEČNOSTNÍ PRAVIDLA K ZAŘÍZENÍ

TYTO POKYNY SI USCHOVEJTE.

- 1. Používejte ochranu zraku.**
- 2. Se zařízením nepracujte v místech, kde se nacházejí hořlavé kapaliny či plyny.**
- 3. Vždy používejte obličejovou masku nebo respirátor.**
- 4. Před zahájením provozu pečlivě zkontrolujte pracovní nástroj, zda nemá trhliny a jestli není poškozen. Popraskaný či poškozený pilový pás okamžitě vyměňte.**
- 5. Používejte pouze pilové pásy doporučené výrobcem, jež splňují normu EN847-1.**
- 6. Vždy používejte příslušenství doporučené v této příručce. Použití nesprávného příslušenství, například rozbrušovacího kotouče, může způsobit poranění.**
- 7. K řezání daného materiálu zvolte správný pilový pás.**
- 8. Nepoužívejte pilové pásy vyrobené z rychlořezné oceli.**
- 9. V rámci omezení hlučnosti se vždy ujistěte, zda je pilový pás ostrý a čistý.**
- 10. Neřežte kovy – hřebíky a šrouby. Před zahájením práce proveďte kontrolu obrobku a odstraňte všechny hřebíky, šrouby a další cizorodé předměty.**

11. Před zapnutím spínače odstraňte ze stolu klíče, odřezky atd.
12. Při práci nemějte NIKDY nasazené rukavice.
13. Ruce držte mimo osu pilového pásu.
14. NIKDY nestůjte a nedovolte jiným osobám stát v dráze pohybu pilového pásu.
15. Před zahájením zpracování obrobku nechte zařízení chvíli běžet. Sledujte, zda nevznikají vibrace či kmitání, jež mohou svědčit o chybné instalaci nebo nedostatečně vyváženém pilovém pásu.
16. Jestliže je vložka stolu opotřebená, vyměňte ji.
17. Při řezání dřeva připojte k pásové pile odsávací zařízení.
18. Se zařízením nepracujte, jestliže jsou otevřená dvířka nebo kryt chránící pilový pás.
19. Dbejte, aby výběr pilového pásu a rychlost odpovídaly řezanému materiálu.
20. Pilový pás nečistěte, pokud je v pohybu.

INSTALACE (Obr. 1 a 2)

Zajištění podstavce pásové pily

Zaznamenáte-li při provozu tendenci k převrácení, klouzání či pohybu pásové pily, upevněte podstavec k podlaze. (Obr. 3–7)

- Po nasazení podstavce připevněte držadlo a kola. (Obr. 8)

Nasazení nádoby na piliny

Nádoba na piliny se nasazuje ze spodní strany stolu pily. Při nasazování nasadte na vnitřní hranu polohového otvoru zařízení listovou pružinu (k zajištění), zasuňte obě osazení nádoby na piliny do vedení a přesuňte ji směrem ven.

Jakmile vodící hrana zajišťovací listové pružiny zapadne do zajišťovacího otvoru, nasuňte nádobu na piliny. (Obr. 9 a 10)

Čtyřmi imbusovými šrouby upevněte stůl k výkyvnému čepu.

(Obr. 11)

Čep se vkládá před expedicí zařízení – vytáhněte jej ven. (Obr. 12)

Montáž vodící lišty (Obr. 13)

- Vodící lištu upevněte ke stolu čtyřmi křídlatými šrouby s podložkami.

POPIS FUNKCE

Zapnutí (Obr. 14)

⚠ UPOZORNĚNÍ:

- Před zahájením provozu se ujistěte, zda lze zařízení zapnout i vypnout.

Ubezpečte se také, zda lze kryt přepínače snadno otevřít vysunutím nahoru.

Zařízení zapnete stisknutím tlačítka ZAP. (I).

Vypnutí provedete stisknutím tlačítka VYP. (O) nebo krytu.

Rozsvícení světla

Světlo zapnete posunutím spínače do horní polohy (I) a vypnete jej přeprnutím dolů (O).

Nářadí spustíte přeprnutím spínací páčky nahoru. (Obr. 15)

Vypnete je přeprnutím dolů.

Tlačná tyč (Obr. 16)

Tlačná tyč slouží jako prodloužení ruky a chrání před náhodným kontaktem s pilovým pásem.

Tlačnou tyč je nutné použít vždy, když je vzdálenost mezi pilovým pásem a podélným pravítkem menší než 150 mm.

Tlačnou tyč vedte v úhlu 20° – 30° vzhledem k ploše stolu pily.

(Obr. 17)

Jestliže tlačná tyč není zapotřebí, můžete ji uložit do příslušného držáku v rámu pásové pily.

Pokud je tlačná tyč poškozená, vyměňte ji.

Měřidlo pokosu (Obr. 18)

Měřidlo pokosu se vkládá do držáku stolu z přední strany stolu.

Při provádění pokosových řezů lze měřidlem pokosu pohybovat v 60° úhlu oběma směry.

Pro 45° a 90° úhel pokosu slouží pevné dorazy.

Nastavení úhlu pokosu: otočením vlevo povolte pojistné držadlo.

⚠ VAROVÁNÍ:

Při řezání s měřidlem pokosu musí být pojistné držadlo pevně dotaženo.

Po povolení knoflíku lze pomocné pravítko sejmout a obrátit.

Instalace podélného pravítka (Obr. 19)

Podélné pravítko lze použít na obou stranách pilového pásu. Při přesunutí podélného pravítka z jedné strany pilového pásu na druhou je třeba pravítko obrátit.

Obrácení pravítka (Obr. 20)

1. Povolte knoflík (B) přítlačné přichytky.
2. Přítlačnou přichytku sejměte z pravítka.
3. Povolte knoflík (A).
4. Pravítko vyjměte z držáku pravítka.
5. Pravítko obraťte a nasuňte zpět do držáku pravítka.
6. Dotáhněte knoflík (A).
7. Na pravítko nasuňte přítlačnou přichytku.

Přichycení podélného pravítka

1. Podélné pravítko umístěte na vodící lištu.
2. Dotáhněte zajišťovací páčku podélného pravítka.
3. Povolte knoflík (B) přítlačné přichytky.
4. Přítlačnou přichytku přesuňte proti zadní hraně stolu.
5. Dotáhněte knoflík (B).

Výšku pravítka lze při řezání tenkých materiálů snížit. (Obr. 21 a 22)

1. Povolte knoflík (B) přítlačné přichytky.
2. Přítlačnou přichytku sejměte z pravítka.
3. Povolte knoflík (A).
4. Pravítko vyjměte z držáku pravítka.
5. Knoflík (A) vysuňte a vyjměte z pravítka.
6. Pravítko otočte o 90°.
7. Knoflík (A) vložte do druhé drážky pravítka.
8. Pravítko vraťte do držáku pravítka.
9. Dotáhněte knoflík (A).
10. Na pravítko nasuňte přítlačnou přichytku.

Po snížení výšky pravítka se změní bod 0 (nula). Pokud je podélné pravítko na levé straně pilového pásu, nastavte bod 0 přesunutím vodící lišty vlevo.

MONTÁŽ

Výměna pilového pásu

⚠ UPOZORNĚNÍ:

- Kontakt s pilovým pásem může způsobit zranění i ve chvíli, kdy pás není v pohybu.

- Pilový pás je nebezpečný.

Při manipulaci s pilovým pásem noste rukavice (například při vyjímání z obalu, montáži či výměně pásu).

1. Povolte dva křídlaté šrouby pravé vodící lišty a pravou lištu posuňte vpravo. **(Obr. 23)**
2. Knoflíky (C) na horním krytu a dolním krytu zcela otočte směrem vlevo až na doraz.
3. Povolte knoflíky (D) na horním krytu a dolním krytu.
4. Otevřete jak horní kryt, tak i dolní kryt zařízení. **(Obr. 24)**
5. Přidržete držadlo a potáhnutím krytu proti vniknutí pilin nahoru jej sejměte. **(Obr. 25)**
6. Otevřete dolní chránič pilového pásu. **(Obr. 27)**
7. Horní vedení pilového pásu nastavte do nejnižší polohy. **(Obr. 26)**
8. Povolením páky rychlého uvolnění uvolněte pilový pás. **(Obr. 28)**
9. Pilový pás vyjmete vedením následující cestou:
 - drážkou ve stole pily,
 - chráničem pásu v horním vedení pilového pásu,
 - krytem pásu v plášti pily.
10. Nasadte nový pilový pás. Dodržte správnou polohu: zuby musí být obráceny směrem k čelní straně (dvířkům) pily.
11. Pilový pás vystředte na pryžových obručích pásovnic.
12. Dotáhněte páku rychlého uvolnění, až pás přestane sklouzávat z pásovnic.
13. Zavřete dolní chránič pilového pásu.

⚠ UPOZORNĚNÍ:

Dolní kryt zavřete teprve potom, až bude dolní chránič pilového pásu v zavřené poloze.

14. Pravou vodící lištu vraťte do původní polohy.
15. Nasadte kryt proti vniknutí pilin. **(Obr. 29)**
16. Zavřete oba kryty.
17. Otočte knoflíky (C) vpravo až na doraz.
18. Dotáhněte knoflíky (D).
19. Další postup:
 - napněte pilový pás (viz odstavec „Napínání pilového pásu“ v části „POPIS FUNKCE“).
 - vyrovnejte pilový pás (viz odstavec „Vyrovňování pilového pásu“ v části „MONTÁŽ“).
 - vyrovnejte vedení pilového pásu (viz odstavec „Seřízení horního vedení pilového pásu“ v části „POPIS FUNKCE“).
 - pásovou pilu otestujte alespoň minutovým chodem naprázdno;
 - pilu vypněte a překontrolujte nastavení.

Nastavení rezné rychlosti (Obr. 30)

1. Otevřete dolní kryt.
2. Otočením knoflíku vpravo povolte hnací řemen.
3. Hnací řemen umístěte na požadovanou řemenici hnacího kola (dolní pásovnice) a odpovídající označenou řemenici motoru v prostoru za dolním krytem.

⚠ UPOZORNĚNÍ:

Hnací řemen musí běžet na obou předních či obou zadních řemenicích. Klínový řemen nikdy neumísťujte šikmo.

Nastavovací knoflík napnutí řemene (Obr. 31)

V případě nutnosti nastavte knoflíkem napnutí řemene:

- otáčením nastavovacího knoflíku vpravo řemen povolíte.
- otáčením nastavovacího knoflíku vlevo řemen napnete.

Otáčením knoflíku vlevo hnací řemen znovu napnete (uprostřed mezi řemenicemi se řemen může prohýbat zhruba o 10 mm).

(Obr. 32)

Zavřete dolní kryt.

POPIS FUNKCE

Napínání pilového pásu (Obr. 33)

⚠ UPOZORNĚNÍ:

Příliš silné napnutí může způsobit přetržení pilového pásu.

Příliš slabé napnutí může zapříčinit prokluzování hnané pásovnice a zastavení pilového pásu.

1. Horní vedení pilového pásu přesuňte zcela nahoru. Využitím měřítka jako vodítka a s ohledem na šířku pilového pásu seřídte otáčením knoflíku napnutí. (Po seřízení zkontrolujte napnutí podle bodu 2.)
2. Kontrola napnutí pilového pásu:
 - zkontrolujte napnutí zatlačením prstem uprostřed mezi stolem a horním vedením pilového pásu na boční stranu pásu (pás by se neměl prohýbat o více než 1–2 mm).
 - seřízení zkontrolujte indikátorem napnutí pásu. Měřítko indikuje správné seřízení v závislosti na šířce pilového pásu.
3. V případě nutnosti napnutí seřídte:
 - otáčením nastavovacího knoflíku vpravo pilový pás napnete.
 - otáčením nastavovacího knoflíku vlevo pilový pás povolíte.

Vyrovňování pilového pásu (Obr. 34)

Jestliže pilový pás neběží uprostřed pryžových obručí, bude třeba jeho dráhu korigovat seřízením naklonění horní pásovnice:

1. Povolte pojistný knoflík.
2. Ručně otáčejte horní pásovnici a dávejte pozor, abyste se nedotkli pilového pásu. **(Obr. 35)**
3. Jestliže pilový pás běží blízko přední strany pily, otáčejte nastavovacím knoflíkem vpravo.
 - Běží-li pás blízko zadní strany pily, otáčejte nastavovacím knoflíkem vlevo.
4. Po seřízení pojistný knoflík vždy zajistěte.

Páka rychlého uvolnění (Obr. 36)

Páka rychlého uvolnění slouží k povolení napnutí pilového pásu.

Vpravo: snížení napnutí

Vlevo: zvýšení napnutí

Seřízení horního vedení pilového pásu (Obr. 37)

Výšku horního vedení pilového pásu je třeba seřídít v následujících situacích:

před každým řezáním či operací, aby prošla výška obrobku (horní vedení pilového pásu je třeba nastavit přibližně do výšky 3 mm nad obrobek);

- po seřízení pilového pásu nebo stolu pily (například při výměně pilového pásu, napínání pilového pásu či seřizování stolu pily).

⚠ UPOZORNĚNÍ:

Před seřizováním horního vedení pilového pásu a naklonění stolu pily proveďte tyto operace:

- VYPNĚTE zařízení;
- vyčkejte, až se pilový pás zcela zastaví.

- Po povolení pojistného knoflíku nastavte seřizovacím knoflíkem horní vedení pilového pásu do požadované výšky.

Po seřízení nezapomeňte dotáhnout pojistnou matici.

- Nikdy neřežte několik obrobků najednou – a neřežte ani svazky obsahující několik jednotlivých kusů. Při zachycení jednotlivých kusů pilovým pásem může dojít ke ztrátě kontroly a zranění.

1. Povolte šroub C a seřídte držák ložiska tak, aby bylo vodící ložisko ve vzdálenosti 1 či 2 mm od paty zubů. **(Obr. 38–40)**
2. Povolte šroub A a nastavte opěrné ložisko do polohy 0,5 mm od zadní strany pilového pásu.

3. Povolte šroub B a nastavte vodicí ložisko do polohy 0,5 mm od pilového pásu.

Vyrovnejte dolní vedení pilového pásu (Obr. 41)

Dolní vedení pilového pásu tvoří tyto díly:

- opěrné ložisko (podepírá pilový pás zezadu).
- dvě vodicí ložiska (zajišťují boční oporu).

Tyto díly vyžadují opětovné seřízení po každé výměně pilového pásu nebo po seřízení jeho dráhy.

Poznámka:

Pravidelně kontrolujte opotřebení opěrných i vodicích ložisek a v případě nutnosti je oboje současně vyměňte.

- Otevřete dvířka dolního krytu a dolní chránič pilového pásu.
- Povolte imbusový šroub, přesuňte celé dolní vedení pilového pásu a nastavte vodicí ložisko do polohy 1 či 2 mm od paty zubů.

Seřízení opěrného ložiska

1. Povolte šroub A.
2. Seřídte polohu opěrného ložiska (vzdálenost mezi opěrným ložiskem a pilovým pásem = 0,5 mm – při otočení pásem rukou se pás nesmí opěrného ložiska dotýkat).
3. Dotáhněte šroub A.

Seřízení vodicích ložisek (Obr. 42)

1. Povolte šroub B.
2. Nastavte vodicí ložisko proti pilovému pásu.
3. Několikerým ručním otočením pásovnicí směrem vpravo uveďte vodicí ložiska do správné polohy. Povolte šroub A a nastavte opěrné ložisko do polohy 0,5 mm od zadní strany pilového pásu. Obě vodicí ložiska se mají pilového pásu JEN DOTÝKAT.
4. Znovu dotáhněte šroub B.
5. Zavřete dolní chránič pilového pásu.
6. Zavřete dvířka dolního krytu.

Vyrovnání pilového stolu do pravého úhlu vzhledem k pilovému pásu (Obr. 43 a 44)

1. Horní vedení pilového pásu přesuňte zcela nahoru (viz „Provoz“).
2. Zkontrolujte napnutí pilového pásu (viz „POPIS FUNKCE“). Otočením rukojeti vpravo nakloníte stůl doleva a otočením rukojeti vlevo se stůl nakloní doprava.
3. Povolte zajišťovací páčku.
4. Pomocí příloženého úhelníku nastavte stůl otáčením rukojeti do pravouhlé polohy vzhledem k pilovému pásu a zajišťovací páčku zase dotáhněte.
5. Seřídte dorazový šroub, až se dotkne pláště pily.

PROVOZ (Obr. 45 a 46)

⚠ Výstraha:

K maximálnímu omezení nebezpečí zranění dodržujte při práci s pilou následující bezpečnostní doporučení.

⚠ UPOZORNĚNÍ:

- Při řezání se nedotýkejte pilového pásu.
- Při řezání noste bezpečnostní brýle, avšak nepoužívejte rukavice.
- Obrobky řežte pouze po jednom.
- Obrobek při řezání vždy přidržujte na ploše stolu.
- Neřežte tak, abyste pilový pás obrobkem zablokovali.
- Nepokoušejte se pilový pás zpomalit nebo zastavit tlačáním obrobkem na pilový pás ze strany.
- Při přímých řezech proti pravítku použijte přítlačnou tyč.

- Jestliže to bude daný typ práce vyžadovat, použijte následující pomůcky:
 - tlačná tyč – při vzdálenosti mezi podélným pravítkem a vodicím pásem ≤ 150 mm;
 - podpěra obrobku – při řezání dlouhých kusů, jež by jinak po dokončení řezu spadly ze stolu;
 - odsavač pilin;
 - při řezání kulatiny materiál pevně zajistěte tak, jak je znázorněno na obrázku.
 - vhodné vodítko k pevné opoře při řezání tenkých kusů položených na hraně.
 - rukavice k manipulaci s pilovým pásem a zpracovávaným materiálem.
- Před zahájením práce zkontrolujte, zda jsou v pořádku následující díly:
 - pilový pás;
 - horní a dolní chránič pilového pásu.
- Poškozené díky neprodleně vyměňte.
- Zaujměte správný pracovní postoj (zuby pilového pásu musí směřovat k obsluze stroje).

Řezání

⚠ VAROVÁNÍ:

Nebezpečí zpětného rázu (obrobek se zachytí o pilový pás a následně je odvržen směrem k obsluze.)

Neřežte tak, abyste pilový pás obrobkem zablokovali.

- Pro daný typ řezání zvolte odpovídající podélné pravítko a naklonění stolu.
- Nastavte horní vedení pilového pásu do výšky 3 mm nad obrobek.

Poznámka:

Nastavení zařízení vždy ověřte zkušebním řezem do odpadního materiálu a před řezáním samotných obrobků proveďte případné úpravy.

- Na pásovou pilu položte obrobek.
- Zapněte pilu.
- Začněte řezat.
- Řez proveďte najednou.
- Nebude-li třeba dalších řezů, pilu ihned po skončení vypněte.
- Použijte samostatně prodávané prodloužení stolu.

Naklonění pilového stolu (Obr. 47)

⚠ UPOZORNĚNÍ:

Při úkosovém řezání s nakloněným stolem umístěte vodítko na dolní část stolu.

Po povolení zajišťovací páčky lze pilový stůl plynule naklonit do úhlu 45° vzhledem k pilovému pásu.

Otočením rukojeti vpravo nakloníte stůl doleva a otočením rukojeti vlevo se stůl nakloní doprava.

Připojení vysavače (Obr. 48 a 49)

Připojením vysavače Makita nebo odsavače pilin docílíte čistějšího provozu.

Jestliže je k velkému otvoru odsávání připojen odsavač pilin, upravte jej tak, aby odpovídal velkému otvoru.

Přesunování stroje (Obr. 50)

- Zvednutím držadla umožníte pohyb stroje.
- Při transportu musí být kryt pilového pásu zcela spuštěn a v blízkosti stolu.
- Při manipulaci a transportu netahejte za kryty.

⚠ UPOZORNĚNÍ:

- Přílišné zvednutí držadla může způsobit převrnutí zařízení.

ÚDRŽBA

⚠ UPOZORNĚNÍ:

- Před zahájením kontroly či údržby se vždy ujistěte, zda je zařízení vypnuté a odpojené od zdroje napájení.

POZNÁMKA:

- Nikdy nepoužívejte benzín, benzen, ředidlo, alkohol či podobné prostředky. Mohlo by tak dojít ke změnám barvy, deformacím či vzniku prasklin.

Čištění

Čas od času odstraňte piliny a třísky. Pečlivě vyčistěte kryt pilového pásu a pohyblivé díly uvnitř pásové pily.

Mazání

Chcete-li pásovou pilu uchovat ve výborném provozním stavu a zajistit její maximální životnost, neopomeňte promazávat pohyblivé a rotující díly.

V rámci omezení hlučnosti se vždy ujistěte, zda je pilový pás ostrý a čistý.

V rámci zachování BEZPEČNOSTI a SPOLEHLIVOSTI výrobku musí být opravy a veškerá další údržba či seřizování svěřeny autorizovaným servisním střediskům Makita používajícím vždy náhradní díly Makita.

VOLITELNÉ PŘÍSLUŠENSTVÍ

⚠ UPOZORNĚNÍ:

- Pro zařízení Makita popsané v tomto návodu doporučujeme používat následující příslušenství a nástavce. Při použití jiného příslušenství či nástavce může hrozit nebezpečí zranění osob. Příslušenství a nástavce používejte pouze pro stanovené účely.

Jestliže budete potřebovat pomoc či bližší informace ohledně příslušenství, obraťte se na místní servisní středisko Makita.

- Podstavec pásové pily
- Imbusový klíč
- Podélné pravítko
- Měřidlo pokosu
- Příslušenství pro kruhové řezání
- Roztahovací stůl
- Příslušenství pro pásové broušení

POZNÁMKA:

- Některé položky seznamu mohou být k zařízení přibaleny jako standardní příslušenství. Přibalené příslušenství se může v různých zemích lišit.

Pouze pro evropské země

Hlučnost

Typické vážené hladiny hluku (A):

hladina akustického tlaku: 81 dB (A)

hladina akustického výkonu: 94 dB (A)

Nejistota (K): 3 dB (A)

Používejte ochranu sluchu.

Tyto hodnoty byly získány v souladu s normou EN 61029.

ES PROHLÁŠENÍ O SHODĚ

Pouze pro evropské země

ES prohlášení o shodě je v tomto návodu k obsluze zahrnuto jako Příloha A.

УКРАЇНСЬКА (Оригінальні інструкції)

Пояснення загального виду

1. Колесо	26. Ручка	56. Нижня огорожа полотна
2. Верхня кришка	27. Шайба	57. Важіль швидкого розмикання
3. Вимикач підсвічування	28. Болт із внутрішньою шестигранною голівкою	58. Нижнє колесо стрічкової пили
4. Перемикач	29. Пластинчаста пружина	59. Шків двигуна
5. Напрямна планка	30. Отвір для закріплення	60. Приводний ремінь
6. Нижня кришка	31. Напрямний отвір	61. Шків приводного колеса
7. Переносна ручка	32. Верстат	62. Приблизно 10 мм
8. Контейнер для пилу	33. Болти із шестигранною голівкою	63. Ручка блокування
9. Ручка (для натягування полотна)	34. Хитна опора	64. Ручка регулювання
10. Ручка (С)	35. Шпилька	65. Напрямний підшипник
11. Ручка (D)	36. Смушковий гвинт	66. Болт А
12. Ручка (для налаштування прямої полотна)	37. Напрямна рейка	67. Відстань від прямого підшипника до нижньої частини полотна
13. Ручка (для закріплення прямої полотна)	38. Кришка вимикача	68. Болт С
14. Верхня прямна полотно	39. Вимикач	69. Болт В
15. Полотно	40. Вмикач	70. Тримач підшипника
16. Ручка (для натягування клиноподібного ремня)	41. УВІМК.	71. Упорний підшипник
17. Приводний ремінь	42. Штовхач	72. Гвинт
18. Стійка	43. Кутувий шаблон	73. Гайка
19. Колесо	44. Затискача ручка	74. Великий отвір пристрою для збирання пилу
20. Важіль блокування (для закріплення нахилу верстата)	45. Ручка	75. Малий отвір пристрою для збирання пилу
21. Отвір пиловловлювача	46. Ручка (А)	76. Малий пиловловлювач (Встановлений на основному пристрої)
22. Важіль (швидкого розмикання)	47. Планка	77. Великий пиловловлювач (Для заміни)
23. Ручка (для налаштування пересування ріжучого інструмента)	48. Важіль блокування	78. Напрямна рейка
24. Затиск (для налаштування нахилу верстата)	49. Тримач планки	79. Боковий виступ
25. Рама	50. Ручка (В)	80. Болт із шестигранною голівкою
	51. Вертикальний затискач	
	52. Смушкові гвинти	
	53. Пилозахисна кришка	
	54. Полотно пили	
	55. Кожух пили	

СПЕЦИФІКАЦІЇ

Модель	LB1200F	
Розмір колеса	305 мм	
Макс. ріжуча спроможність	165 мм	
Швидкість холостого ходу	Висока	840 об/хв (50 Гц)/1040 об/хв (60 Гц)
	Низька	420 об/хв (50 Гц)/520 об/хв (60 Гц)
Швидкість різання	Висока	13,3 м/с (800 м/хв.) (50 Гц)/16,7 м/с (1000 м/хв.) (60 Гц)
	Низька	6,7 м/с (400 м/хв.) (50 Гц)/8,3 м/с (500 м/хв.) (60 Гц)
Розмір полотна	Окружність 2240 мм x Ширина 6 мм, 13 мм, 16 мм	
Загальні габарити	615 мм x 775 мм x 1600 мм	
Розмір верстата	560 мм x 400 мм	
Вага нетто	81,2 кг	

- У зв'язку з нашою безперервною програмою досліджень і розвитку технічні характеристики, представлені в цій інструкції, можуть бути змінені без повідомлення.
- Технічні характеристики можуть відрізнятися залежно від країни.
- Вага відповідно до ЕРТА-Procedure 01/2003

Символи

END215-2

Нижче подано символи, які використовуються в інструкції по відношенню до інструмента. Перед використанням обов'язково вивчіть їх значення.



..... Читайте інструкцію.



..... Витягніть штепсельну вилку.



..... Одягайте захисні окуляри.



..... Тримайте руки або пальці на відстані від полотна.



..... Тільки для країн ЄС

Не викидайте електроприлади разом із побутовим сміттям!

Згідно з Європейською директивою про утилізацію електричного та електронного обладнання і з її використанням із дотриманням національних законів, електричне обладнання, термін служби якого закінчився, слід збирати в окремо відведених місцях і повертати на відповідні підприємства з його переробки.

Використання за призначенням

Інструмент призначений для різання деревини або кольорових металів із використанням відповідного полотна пили.

Джерело живлення

ENF001-1

Інструмент можна підключати лише до джерела струму, що має напругу, зазначену в таблиці з заводськими характеристиками, і він може працювати лише від однофазного джерела змінного струму. Під час користування інструмент повинен бути заземлений, щоб захистити оператора від ураження електричним струмом. Слід застосовувати тільки трьох-дротові шнури-подовжувачі, які мають трьох-штиркові штепселі із заземленням, та трьох-полюсні розетки, що відповідають штепселю інструмента.

ІНСТРУКЦІЇ З БЕЗПЕКИ

ENA001-2

⚠ УВАГА: Щоб зменшити ризик пожежі, ураження електричним струмом та травматизму, при застосуванні електроінструментів необхідно суворо дотримуватись основних правил техніки безпеки, включаючи наступне. Перш ніж користуватися інструментом, прочитайте всі ці правила та зберігайте їх.

Для безпечної роботи:

- 1. Підтримуйте чистоту робочого місця.**
Частіше травми виникають у брудних та тісних приміщеннях.
- 2. Зверніть увагу на робоче середовище.**
Не залишайте електроінструменти під дощем. Не користуйтеся електроінструментами в сирих чи вологих приміщеннях. Робоча зона повинна бути добре освітленою. Не користуйтеся електроінструментами там, де є ризик пожежі чи вибуху.
- 3. Стережіться ураження електрострумом.**
Не торкайтеся заземлених поверхонь (наприклад, труб, радіаторів, плит та холодильників).
- 4. Не допускайте дітей до робочої зони.**
Не дозволяйте стороннім торкатися інструмента або подовжувального дроту.
Не допускайте інших до робочого місця.
- 5. Ховайте інструменти, які не знаходяться в експлуатації.**
Інструменти, якими Ви не користуєтесь, необхідно тримати в сухому, високому чи замкненому місці, недоступному для дітей.
- 6. Не слід прикладати до інструмента надмірну силу.**
Інструмент найкраще працюватиме з тією швидкістю, на яку він розрахований.
- 7. Для кожної роботи слід використовувати належний інструмент.**
Не намагайтесь виконувати малими інструментами або насадками роботу, призначену для великих та важких інструментів. Не використовуйте інструмент не за призначенням (наприклад, не використовуйте дискову пилу для різання гілок дерева або колоди).
- 8. Носіть відповідний одяг.**
Забороняється вдягати просторий одяг або ювелірні вироби; вони можуть потрапити до рухомих частин приладу. При роботі на вулиці бажано мати на собі гумові рукавиці та неслизьке взуття. Щоб сховати довге волосся, слід одягати захисний головний убір.
- 9. Використовуйте засоби захисту органів зору та слуху.**
Також користуйтеся маскою або респіратором, якщо різання супроводжується великою кількістю пилу.

- 10. Підключіть пиловловлювач.**
Якщо передбачено підключення пиловловлювачів, перевірте їх належне підключення та використання.
- 11. Обережно поведіться зі шнуром.**
Ніколи не беріться за шнур живлення для перенесення або вимикання приладу з настінної розетки. Тримайте шнур на відстані від джерел тепла, мастил та гострих країв.
- 12. Закріплюйте деталь.**
Використовуйте кріплення для утримання деталей. Це значно безпечніше, ніж тримати руками, і при цьому обидві руки вільні для роботи з інструментом.
- 13. Не слід тягнутись занадто далеко.**
Слід завжди твердо стояти на ногах та тримати рівновагу.
- 14. Підтримуйте інструмент у доброму стані.**
Регулярно точіть та чистьте гострі інструменти - це забезпечить найкращу працездатність. Дотримуйтесь інструкцій зі змащення та заміни приладдя. Час від часу слід перевіряти шнур інструмента, а у разі його пошкодження слід звернутися до сервісного центру для проведення ремонту. Час від часу оглядайте подовжувальні дроти та замінійте їх в разі пошкодження. Ручки повинні бути сухі, чисті, без мастила.
- 15. Від'єднуйте інструменти від джерела струму.**
Це потрібно робити, коли інструментом не користуються, а також перед проведенням технічного огляду та при заміні таких комплектуючих як полотна, свердла та різці.
- 16. Прибирайте регульовальні та гайкові ключі.**
Набудьте звичку перевіряти перед увімкненням інструмента, чи зняті всі регульовальні ключі.
- 17. Запобігайте випадковому вмиканню приладу.**
Не тримайте палець на вимикачі, коли Ви переносите інструмент, підключений до джерела струму. Перед підключенням інструмента до джерела струму, переконайтеся, що інструмент вимкнено.
- 18. Застосовуйте подовжувачі для зовнішніх робіт.**
Коли інструмент використовується за межами приміщення, необхідно застосовувати тільки такі подовжувальні дроти, які розраховані на зовнішні роботи.
- 19. Будьте пильними.**
Сконцентруйте увагу на тому, що Ви робите. Подумайте, перш ніж щось робити.
Не працюйте, якщо Ви перевтомлені.
- 20. Перевіряйте інструмент на наявність пошкоджених деталей.**
Перш ніж продовжувати роботу, слід перевірити засоби захисту та інструмент на наявність пошкоджених деталей, щоб переконатися в тім, що інструмент може далі виконувати свої функції належним чином. Перевірте положення, вільний рух рухомих частин, наявність поломок частин, монтаж та інші аспекти, які мають вплив на експлуатацію. Ремонтувати або замінювати пошкоджені деталі або засоби захисту має авторизований сервісний центр, якщо інше не зазначено в цій інструкції. Пошкоджені перемикачі мають замінюватись в авторизованому сервісному центрі. Не використовуйте інструмент, якщо перемикач не працює.
- 21. Увага!**
Використання приладдя або насадок, інших за ті, що рекомендовані в цій інструкції або каталозі, може становити ризик травмування.
- 22. Ремонт інструмента має виконувати кваліфікований персонал.**
Цей електричний інструмент відповідає встановленим вимогам безпеки. Тільки кваліфікована людина повинна

здійснювати ремонт за допомогою оригінальних запчастин, в іншому випадку інструмент може становити значну загрозу для його користувача.

ДОДАТКОВІ ПРАВИЛА БЕЗПЕКИ ПРИ КОРИСТУВАННІ ІНСТРУМЕНТОМ

ЗБЕРЕЖІТЬ ЦЮ ІНСТРУКЦІЮ.

1. Одягайте захисні окуляри.
2. Не слід користуватися інструментом біля займистих рідин та газів.
3. Завжди користуйтеся маскою або респіратором.
4. Перед початком роботи слід ретельно перевірити полотно на наявність тріщин або пошкодження. Тріснуте або пошкоджене полотно слід негайно замінити.
5. Слід використовувати тільки ті полотна, що рекомендовані виробником та які відповідають EN847-1.
6. Завжди використовуйте приладдя, рекомендоване в цій інструкції. Використання неналежного приладдя, наприклад, абразивних відрізних кіл, може призвести до поранення.
7. Обирайте полотно відповідно до матеріалу, що буде різатися.
8. Не слід використовувати полотна, що виготовлені з швидкорізальної сталі.
9. Для того щоб зменшити шум від різання, полотно повинне бути завжди гострим та чистим.
10. Забороняється різати металеві предмети, наприклад, цвяхи та гвинти. Перед початком роботи огляньте деталь та приберіть всі цвяхи, гвинти та інші сторонні предмети від неї.
11. Перед увімкненням заберіть ключі, відрізки і т.д. з верстата.
12. **ЗАБОРОНЯЄТЬСЯ** надягати рукавиці під час роботи.
13. Не тримайте руки на лінії полотна.
14. **ЗАБОРОНЯЄТЬСЯ** стояти або дозволяти комусь стояти на одній лінії зі шляхом полотна.
15. Перед використанням інструмента на фактичній деталі залиште його на деякий час на холостому ході. Зверніть увагу на вібрацію та коливання, що вказують на погане встановлення або балансування полотна.
16. У разі зносу вставки верстата замініть її.
17. Перед пилянням дерева приєднайте до стрічкової пили пристрій для збирання пилу.
18. Не використовуйте пристрій, якщо відкриті дверцята або огорожа полотна.
19. Переконайтеся, що полотно пили та швидкість різання відповідають робочому матеріалу.
20. Не очищайте полотно пили, поки воно рухається.

ВСТАНОВЛЕННЯ (Мал. 1 та 2)

Кріплення стійки стрічкової пили

Якщо під час експлуатації з'являється тенденція до перевертання, сповзання або руху стрічкової пили, то стійка пили повинна бути прикріплена до підлоги. (Мал. 3 - 7)

- Після закріплення стійки закріпіть ручку та колеса. (Мал. 8)

Завантаження контейнера для пилу

Контейнер для пилу слід завантажувати з нижньої частини верстата. При завантаженні контейнера вставте пластинчасту пружину (для закріплення) з внутрішнього краю напрямного отвору приладу, а потім поміть обидва бокові виступи контейнера для пилу на напрямні рейки та пересуньте його до зовнішнього краю.

Коли передній край пластинчастої пружини закріплено у отворі для закріплення приладу, контейнер для пилу завантажено.

(Мал. 9 та 10)

Прикріпіть верстат до хитної опори за допомогою чотирьох болтів із шестигранною голівкою. (Мал. 11)

Шпилька вставляється на час транспортування, тому її слід витягнути. (Мал. 12)

Встановлення напрямної рейки (Мал. 13)

- Прикріпіть напрямну рейку до верстата за допомогою чотирьох смушкових гвинтів та шайб.

ОПИС ФУНКЦІОНУВАННЯ

Дія вимикача (Мал. 14)

⚠ УВАГА:

- Перед початком роботи слід перевірити, що верстат вмикається та вимикається.

Кришку вимикача можна легко відкрити, пересунувши її вгору.

Щоб запустити пристрій, натисніть на кнопку ON (I).

Для того щоб зупинити пристрій, слід натиснути на кнопку OFF (O) або на кришку вимикача.

Увімкнення підсвічування

Щоб увімкнути світло, натисніть на верхнє положення (I) перемикача та на нижнє положення (O), щоб вимкнути.

Щоб запустити пристрій, підніміть важіль перемикача. (Мал. 15)
Для зупинки опустіть важіль перемикача.

Штовхач (Мал. 16)

Штовхач служить як подовжувач руки та захищає від випадкового контакту з полотном пили.

Завжди використовуйте штовхач, якщо відстань між полотном стрічкової пили та напрямною планкою складає менше 150 мм. Направляйте штовхач під кутом 20° ... 30° до поверхні розпилювального верстата. (Мал. 17)

Коли Ви не використовуєте штовхач, його можна зберігати у відповідному тримачі на рамі стрічкової пили.

Якщо штовхач пошкоджено, замініть його.

Кутовий шаблон (Мал. 18)

Кутовий шаблон слід вставляти у паз верстата з переднього краю верстата.

Для різання під кутом кутовий шаблон можна повертати на 60° в обох напрямках.

Для різання під кутом 45° та 90° передбачено упори-обмежувачі.

Для налаштування кута різання: послабте затискну ручку, повернувши її проти годинникової стрілки.

⚠ УВАГА:

Під час різання за допомогою кутового шаблону затискна ручка повинна бути надійно затягнута.

Допоміжну планку можна зняти та перевернути, послабивши ручку.

Встановлення напрямної планки (Мал. 19)

Напряму планку можна використовувати з обох сторін полотна. Коли напрямну планку пересунуто з однієї сторони полотна пили на іншу, її слід перевернути.

Зміна напрямку планки (Мал. 20)

1. Послабте ручку (B) вертикального затискача.
2. Зніміть вертикальний затискач з планки.
3. Послабте ручку (A).
4. Зніміть планку з тримача.
5. Переверніть планку та знову встановіть її на тримач.
6. Затягніть ручку (A).
7. Встановіть вертикальний затискач на планку.

Закріплення напрямної планки

1. Розташуйте напрямну планку на напрямній рейці.
2. Затягніть важіль блокування напрямної планки.
3. Послабте ручку (B) вертикального затискача.
4. Встановіть вертикальний затискач впритул до заднього краю верстата.
5. Затягніть гвинт (B).

Висоту планки можна зменшити для різання тонких матеріалів. (Мал. 21 та 22)

1. Послабте ручку (B) вертикального затискача.
 2. Зніміть вертикальний затискач з планки.
 3. Послабте ручку (A).
 4. Зніміть планку з тримача.
 5. Зсуньте ручку (A) з планки та зніміть її.
 6. Поверніть планку на 90°.
 7. Вставте ручку (A) в інший паз планки.
 8. Встановіть планку назад на тримач.
 9. Затягніть ручку (A).
 10. Встановіть вертикальний затискач на планку.
- Коли висоту планки зменшено, точка 0 (нуль) змінюється. Якщо напрямна планка знаходиться з лівого боку полотна, пересуньте напрямну рейку ліворуч, щоб налаштувати її на точку 0.

ЗБИРАННЯ

Заміна полотна стрічкової пили

⚠ УВАГА:

- Контакт з полотном стрічкової пили може призвести до травм навіть в тому випадку, коли полотно стрічкової пили не рухається.
 - Полотно пили є небезпечним.
- Вдягайте рукавиці, коли працюєте з полотном пили, виймаєте його з упаковки, встановлюєте або замінюєте його.

1. Послабте два смушкові гвинти на правій напрямній рейці та зсуньте праву рейку праворуч. (Мал. 23)
2. Повністю поверніть ручку (C) верхньої та нижньої кришок проти годинникової стрілки, доки вона не зупиниться.
3. Послабте ручку (D) верхньої та нижньої кришок.
4. Відкрийте обидві кришки інструмента: верхню та нижню. (Мал. 24)
5. Тримайтеся за ручку, зніміть пилозахисну кришку, потягнувши її вгору. (Мал. 25)
6. Відкрийте нижню огорожу полотна. (Мал. 27)

7. Встановіть верхню напрямну полотно в її найнижче положення. (Мал. 26)
8. Послабляйте важіль швидкого розмикання, доки полотно стрічкової пили не буде послаблено. (Мал. 28)
9. Щоб зняти полотно стрічкової пили, просмикніть його через:
 - паз у полотні пили;
 - огорожу полотна на верхніх напрямних полотна;
 - кришку полотна на кожуху пили.
10. Встановіть нове полотно стрічкової пили. Слідкуйте за правильністю розташування: зубці повинні бути направлені до передньої частини пили (до дверцят).
11. Встановіть полотно стрічкової пили на гумові шини коліс стрічкової пили.
12. Затягніть важіль швидкого розмикання, щоб полотно не зсковзувало з коліс стрічкової пили.
13. Закрийте нижню огорожу полотна.

⚠ УВАГА:

- Закрийте нижню кришку тільки тоді, коли нижня огорожа полотна також закрита.
14. Поверніть праву напрямну рейку у початкове положення.
 15. Встановіть пилозахисну кришку. (Мал. 29)
 16. Закрийте обидві кришки.
 17. Повністю поверніть ручку (C) за годинниковою стрілкою, доки вона не зупиниться.
 18. Затягніть ручку (D).
 19. Потім:
 - натягніть полотно стрічкової пили (див. розділ "Натягування полотна стрічкової пили" в "ОПИС ФУНКЦІОНУВАННЯ").
 - вирівняйте полотно стрічкової пили (див. підрозділ "Вирівнювання полотна стрічкової пили" в розділі "ЗБИРАННЯ").
 - вирівняйте напрямні полотна (див. підрозділ "Налаштування верхньої напрямної полотна" в розділі "ОПИС ФУНКЦІОНУВАННЯ").
 - увімкніть пилу на холостому ході щонайменш на одну хвилину;
 - зупиніть пилу, від'єднайте її від мережі та ще раз перевірте налаштування.

Налаштування швидкості різання (Мал. 30)

1. Відкрийте нижню кришку.
2. Послабте приводний ремінь, повернувши ручку за годинниковою стрілкою.
3. Розташуйте приводний ремінь на шківі приводного колеса (нижнє колесо стрічкової пили), щоб етикетка відповідного шківів двигуна знаходилася усередині нижньої кришки.

⚠ УВАГА:

Приводний ремінь повинен проходити по обом переднім або по обом заднім шківам. Клиноподібний ремінь ніколи не повинен проходити по діагоналі.

Установочна ручка для натягування ремня (Мал. 31)

За необхідності натягування ремня можна налаштувати за допомогою установочної ручки:

- повертання установочної ручки за годинниковою стрілкою зменшує натяг ремня.
- повертання установочної ручки проти годинникової стрілки збільшує натяг ремня.

Натягніть приводний ремінь знову, повернувши ручку проти годинникової стрілки (на однаковій відстані між шківками

приводний ремінь повинен відхилитися приблизно на 10 мм).

(Мал. 32)

Закрийте нижню кришку.

ОПИС ФУНКЦІОНУВАННЯ

Натягування полотна стрічкової пили (Мал. 33)

⚠ УВАГА:

Надмірне натягування може призвести до розриву полотна стрічкової пили. Замале натягування може призвести до того, що ведене колесо стрічкової пили зіскочить та полотно стрічкової пили зупиниться.

1. Повністю підніміть верхню напрямну полотна.
Використовуючи шкалу як напрямну та враховуючи ширину полотна, поверніть ручку, щоб налаштувати натяг (після налаштування перевірте натяг, як наведено в пункті 2).
2. Перевірка натягу полотна:
 - натяг слід перевіряти, натискаючи пальцем на бокову сторону полотна на однаковій відстані між верстатом та верхньою напрямною полотна (полотно повинно відхилитися не більш ніж на 1-2 мм).
 - перевірте налаштування за допомогою індикатора натягу полотна. Шкала показує належне налаштування залежно від ширини полотна стрічкової пили.
3. За необхідності натяг регулюється наступним чином:
 - поворот установочної ручки за годинниковою стрілкою збільшує натяг полотна.
 - повертання установочної ручки проти годинникової стрілки зменшує натяг полотна.

Вирівнювання полотна стрічкової пили (Мал. 34)

Якщо полотно стрічкової пили пересувається не по центру відносно гумових шин, це необхідно виправити шляхом налаштування нахилу верхнього колеса стрічкової пили:

1. Відпустіть ручку блокування.
2. Вручну поверніть верхнє колесо, намагаючись не торкатися полотна. **(Мал. 35)**
3. Поверніть установочну ручку за годинниковою стрілкою, якщо полотно стрічкової пили пересувається до переднього краю пили.
 - Поверніть установочну ручку проти годинникової стрілки, якщо полотно стрічкової пили пересувається до заднього краю пили.
4. Після налаштування слід завжди затягувати ручку блокування.

Важіль швидкого розмикання (Мал. 36)

За допомогою важеля швидкого розмикання регулюється натяг полотна пили.

За годинниковою стрілкою: зменшити натяг

Проти годинникової стрілки: збільшити натяг

Налаштування верхньої напрямної полотна (Мал. 37)

Висоту верхньої напрямної полотна слід налаштувати: кожного разу перед виконанням різання або будь-якої операції, щоб пристосувати висоту деталі (верхню напрямну полотна слід встановлювати приблизно на 3 мм вище деталі);

- після налаштування полотна стрічкової пили або розпилувального верстата (наприклад, при заміні полотна стрічкової пили, його натягування та вирівнювання).

⚠ УВАГА:

Перед налаштуванням верхньої напрямної полотна та нахилу розпилувального верстата:

- вимкніть прилад;
- зачекайте, доки полотно стрічкової пили повністю не зупиниться.

- За допомогою ручки регулювання встановіть верхню напрямну полотна на потрібну висоту, послабивши ручку блокування.
Після налаштування обов'язково затягніть контррайку.
- Ніколи не розпилюйте декілька деталей одночасно, це також стосується зв'язок, що містять декілька окремих деталей. Якщо окремі деталі буде захоплено полотном пили, це може призвести до травм через втрату контролю.

1. Відпустіть болт С та налаштуйте тримач підшипника таким чином, щоб напрямний підшипник був розташований на відстані 1 або 2 мм від нижньої частини полотна. **(Мал. 38 - 40)**
2. Відпустіть болт А та налаштуйте упорний підшипник таким чином, щоб він знаходився на відстані 0,5 мм від задньої частини полотна.
3. Відпустіть болт В та налаштуйте напрямний підшипник таким чином, щоб він знаходився на відстані 0,5 мм від полотна.

Вирівняйте нижню напрямну полотна (Мал. 41)

Нижня напрямна полотна складається з наступних елементів:

- упорний підшипник (підтримує полотно стрічкової пили позаду).
 - два напрямні підшипники (забезпечують бокову підтримку).
- Ці частини слід налаштовувати знову після кожної заміни полотна стрічкової пили або налаштування його пересування:

Примітка:

Періодично слід перевіряти упорні підшипники та напрямні підшипники на предмет зношування, за необхідності замініть обидва напрямні підшипники одночасно.

- Відкрийте нижні дверцята кришки та нижню огорожу полотна.
- Відпустіть болт із шестигранною голівкою, повністю зсуньте нижню напрямну полотна та відрегулюйте напрямний підшипник на 1 або 2 мм від нижньої частини полотна.

Налаштування упорного підшипника

1. Відпустіть болт А.
2. Налаштуйте положення упорного підшипника (відстань між упорним підшипником та полотном стрічкової пили = 0,5 мм — якщо обертати полотно стрічкової пили вручну, воно не повинно торкатися упорного підшипника).
3. Затягніть болт А.

Налаштування напрямних підшипників (Мал. 42)

1. Відпустіть болт В.
2. Встановіть напрямний підшипник біля полотна стрічкової пили.
3. Поверніть колесо стрічкової пили вручну за годинниковою стрілкою декілька разів, щоб встановити напрямні підшипники в належне положення. Відпустіть болт А та налаштуйте упорний підшипник таким чином, щоб він знаходився на відстані 0,5 мм від задньої частини полотна. Обидва напрямні підшипники повинні **ЛЕДЬ ТОРКАТИСЯ** полотна стрічкової пили.
4. Знову затягніть болт В.
5. Закрийте нижню огорожу полотна.
6. Закрийте нижні дверцята кришки.

Вирівнювання розпилювального верстата під прямим кутом до полотна стрічкової пили (Мал. 43 та 44)

1. Повністю підніміть верхню напрямну полотна (див. "Застосування").
2. Перевірте натяг полотна стрічкової пили (див. "ОПИС ФУНКЦІОНУВАННЯ").
Поверніть ручку за годинниковою стрілкою, щоб нахилити верстат проти годинникової стрілки; або поверніть ручку проти годинникової стрілки, щоб нахилити верстат за годинниковою стрілкою.
3. Відпустіть важіль блокування.
4. За допомогою трикутника встановіть верстат під прямим кутом до полотна, повертаючи ручку для налаштування верстата, після чого знову затягніть важіль блокування.
5. Налаштуйте стопорний гвинт, доки він не буде торкатися кожуха пили.

ЗАСТОСУВАННЯ (Мал. 45 та 46)

⚠ Загроза:

Щоб якомога ефективно знизити ризик травм, під час застосування пили слід виконувати наступні рекомендації з техніки безпеки.

⚠ УВАГА:

- Не торкайтеся полотна пили під час різання.
- Коли працюєте з пилою, вдягайте захисні окуляри, але не вдягайте рукавиці.
- Ріжте не більше однієї деталі одночасно.
- Завжди надійно тримайте деталь на верстаті.
- Уникайте защемлення деталей.
- Не намагайтеся сповільнити хід або зупинити полотно стрічкової пили, штовхаючи його збоку деталлю.
- Використовуйте штовхач під час різання під прямим кутом до планки.
- Залежно від типу роботи використовуйте наступне:
 - штовхач — якщо відстань між напрямною планкою та полотном стрічкової пили ≤ 150 мм;
 - люнет — для довгої деталі, яка інакше впаде з верстата після закінчення різання;
 - пристрій для збирання пилу;
 - під час різання круглих деталей матеріал слід надійно закріпити, як показано на схемі.
 - відповідна напрямна для міцної підтримки під час різання тонкої деталі, встановленої на ребро.
 - рукавиці для роботи з полотном пили та грубим матеріалом.
- Перед початком роботи перевірте належний стан наступних елементів:
 - полотно стрічкової пили;
 - верхня та нижня огорожа полотна.
- Пошкоджені частини слід негайно замінити.
- Робочі елементи повинні бути розташовані належним чином (зубці полотна стрічкової пили повинні бути направлені до оператора).

Пиляння

⚠ УВАГА:

Небезпека віддачі (деталь може бути защемлена полотном стрічкової пили та відкинута у бік оператора).
Уникайте защемлення деталі.

- Встановіть нахил прямої планки та нахил верстата, які відповідають типу різання, що виконується.
- Встановіть верхню напрямну полотна на 3 мм вище деталі.

Примітка:

Слід завжди робити пробне різання, щоб перевірити налаштування та за необхідності виправити їх, перш ніж різати деталь.

- Розташуйте деталь на стрічковій пилі.
- Підключіть пристрій до джерела електричного струму.
- Запустіть пилу.
- Відріжте деталь за один прохід.
- Якщо безпосередньо після закінчення різання не потрібно проводити будь-яких робіт, від'єднайте пристрій від джерела електроживлення.
- Використовуйте додатковий верстат, який можна купити окремо.

Нахил розпилювального верстата (Мал. 47)

⚠ УВАГА:

Під час різання під кутом з нахиленим верстатом, помістіть напрямну на нижню частину верстата.

Послабивши важіль блокування, Ви можете плавно змінювати нахил розпилювального верстата до 45° відносно полотна. Поверніть ручку за годинниковою стрілкою, щоб нахилити верстат проти годинникової стрілки; або поверніть ручку проти годинникової стрілки, щоб нахилити верстат за годинниковою стрілкою.

Приєднання до пирососа (Мал. 48 та 49)

Роботу можна виконувати із меншим забрудненням, підключивши цей верстат до пирососа Makita або пристрою для збирання пилу.

Якщо пиловловлювач приєднано до великого отвору пристрою для збирання пилу, встановіть пристрій для збирання пилу знову та переконайтеся, що він має великий отвір.

Як пересувати пристрій (Мал. 50)

- Підніміть ручку для пересування пристрою.
- Під час транспортування пили слід повністю опустити огорожу полотна якомога ближче до верстата.
- Не використовуйте огорожу для перенесення або транспортування пили.

⚠ УВАГА:

- Якщо підняти ручку занадто високо, пристрій може перекинутися.

ОБСЛУГОВУВАННЯ

⚠ УВАГА:

- Перед тим як проводити перевірку або обслуговування, слід завжди перевіряти, щоб інструмент був вимкнений та від'єднаний від мережі.

ПРИМІТКА:

- Ніколи не використовуйте газолін, бензин, розріджувач, спирт та подібні речовини. Їх використання може призвести до зміни кольору, деформації та появи тріщин.

Чищення

Слід періодично вичищати тирсу та тріски. Слід ретельно очищати огорожу полотна та деталі, що рухаються всередині стрічкової пили.

Змащування

Для того щоб стрічкова пила була у гарному стані, а також щоб забезпечити максимальний термін служби, деталі, що рухаються та обертаються, слід періодично змащувати.

Щоб зменшити шум від різання, полотно має завжди бути гострим та чистим.

Для забезпечення БЕЗПЕКИ та НАДІЙНОСТІ виробу його ремонт, а також роботи з обслуговування або регулювання повинні виконуватись вповноваженими або заводськими сервісними центрами Makita із використанням запчастин виробництва компанії Makita.

ДОДАТКОВЕ ПРИЛАДДЯ

⚠ УВАГА:

- Це додаткове обладнання та приладдя рекомендується використовувати з вашим інструментом Makita у відповідності до цих інструкцій з використання. Використання будь-якого іншого додаткового та допоміжного обладнання може становити небезпеку травмування. Використовуйте додаткове та допоміжне обладнання тільки за призначенням.

Якщо вам необхідна допомога та більш детальна інформація про додаткове обладнання, зверніться до місцевого сервісного центру Makita.

- Сійка стрічкової пили
- Шестигранний ключ
- Напрямна планка
- Кутовий шаблон
- Пристрій для різання по колу
- Розсувний верстат
- Пристрій для шліфування стрічкою

ПРИМІТКА:

- Деякі елементи списку можуть входити до комплекту інструмента як стандартне приладдя. Вони можуть відрізнитися залежно від країни.

Тільки для країн Європи

Шум

Типовий рівень шуму за шкалою A

рівень звукового тиску: 81 дБ (A)

рівень акустичної потужності: 94 дБ (A)

Погрішність (K): 3 дБ (A)

Використовуйте засоби захисту органів слуху.

Ці значення отримані згідно з EN61029.

ДЕКЛАРАЦІЯ ПРО ВІДПОВІДНІСТЬ СТАНДАРТАМ ЄС

Тільки для країн Європи

Декларація про відповідність стандартам ЄС входить до цих інструкцій з експлуатації як Додаток А.

Makita Europe N.V. Jan-Baptist Vinkstraat 2,
3070 Kortenberg, Belgium

Makita Corporation 3-11-8, Sumiyoshi-cho,
Anjo, Aichi 446-8502 Japan