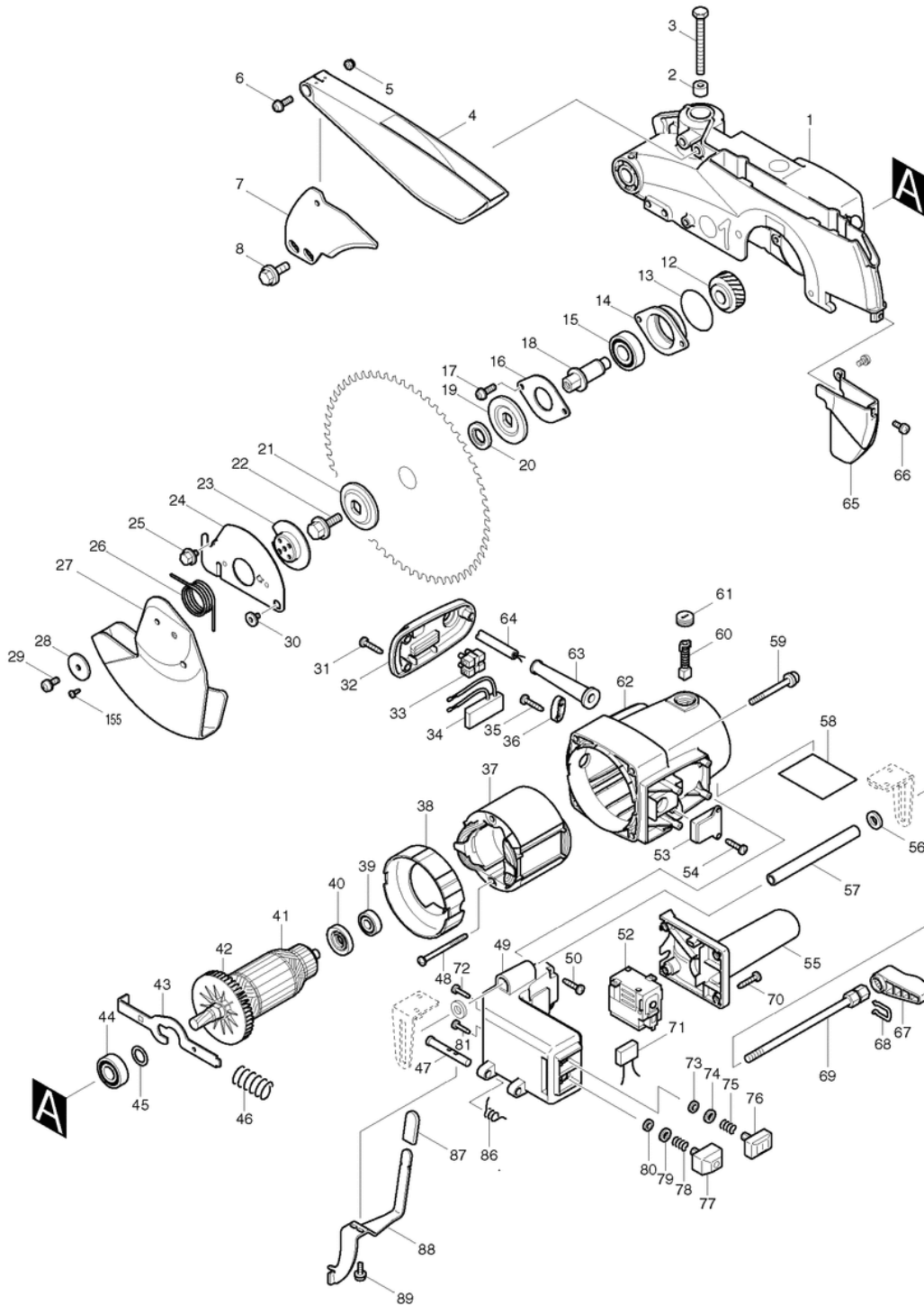


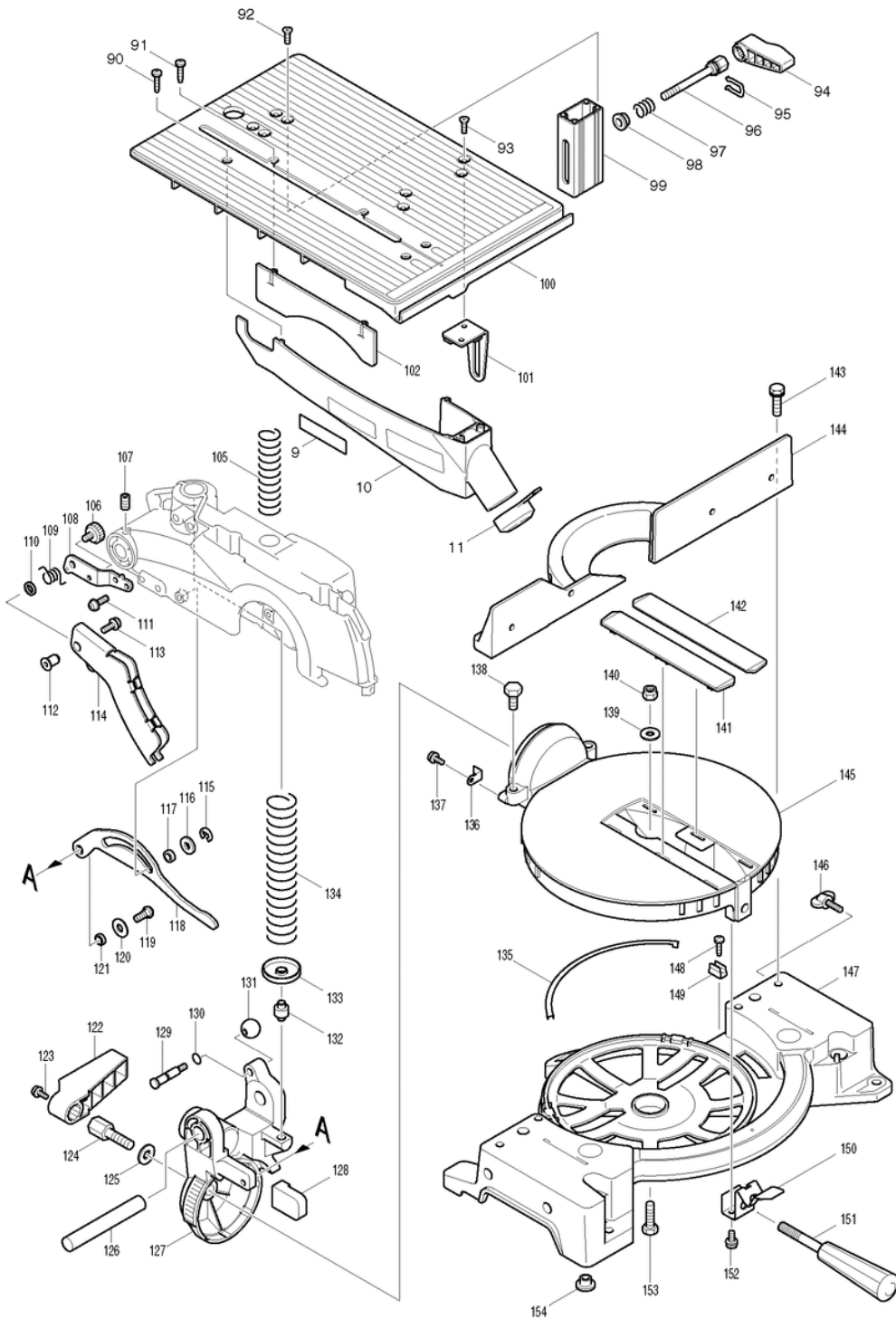


**Makita Service Information / Model: LH1040**





**Makita Service Information / Model: LH1040**





## Makita Werkzeug Ges.m.b.H.

Airportstr. 4, 2401 Fischamend

Tel: 02232 / 777 00

Fax: 02232 / 777 00 - 40

Mail: verkauf@makita.at

Web: www.makita.at

### Makita Service Information / Model: LH1040

POS	Bestell-Nr.	Artikelbeschreibung	Stk.	Stk.Preis
1	153993-1	KRYT KOTÚČA LH1040/F	1	N/A
1.2	141142-2	BLADE CASE COMPLETE	1	N/A
1.3	141629-4	BLADE CASE COMPLETE	1	N/A
1.4	142818-4	S□GEBLATTGEH□USE LH1040	1	N/A
2	262511-5	KRÚŽOK GUMENNÝ 6	1	N/A
3	251667-9	HEX. BOLT M8x75	1	N/A
4	154521-5	COVER COMPLETE	1	N/A
4.2	141144-8	COVER COMPLETE	1	N/A
5	252103-8	MATICA M5-8 252103-8	1	N/A
6	911223-4	SKRUTKA M5x16	1	N/A
7	345423-8	RIVING KNIFE	1	N/A
8	251644-1	SKRUTKA M8x20 2752	2	N/A
9	819064-1	MAKITA MARK	1	N/A
10	183881-8	UNDER GUARD L	1	N/A
10		*** INC. 9		N/A
10.2	187136-3	UNDER GUARD L	1	N/A
10.2		*** INC. 9		N/A
11	421362-7	Cap	1	N/A
12	226465-0	KOLESO OZUBENÉ 42 LS1040/F	1	N/A
13	213621-1	O RING 46	1	N/A
14	316821-3	MEDZIKUS LS/LH/1040/F	1	N/A
15	211256-2	LOŽISKO GULIČKOVÉ 6203LLB 783	1	N/A
16	285685-5	PODLOŽKA 64 LS/LH/1040/F	1	N/A
17	911223-4	SKRUTKA M5x16	2	N/A
18	322865-3	OSKA LS/LH/1040/F	1	N/A
19	224333-1	PRÍRUBA 53 LS1013/1040/F	1	N/A
20	257262-3	KRÚŽOK 16 LS/LH/PÍLY	1	N/A
21	224333-1	PRÍRUBA 53 LS1013/1040/F	1	N/A
22	265355-2	SKRUTKA M8x20 LS1013	1	N/A
23	343639-9	DRZIAK CHRANICA LS1040F/LS1013	1	N/A
24	344380-7	STREDNE VEKO LS1040/F	1	N/A
24.2	346516-4	CENTER COVER	1	N/A
25	265324-3	SKRUTKA M8x12	1	N/A
26	231593-8	PRUŽINA TORZNÁ 36 LS1040/F/30	1	N/A
27	418625-0	Safety Cover	1	N/A
27.2	453026-5	KRYT KOTÚČA LH1040/F	1	N/A
28	267136-0	PODLOŽKA 5	1	N/A
29	911213-7	SKRUTKA M5x12	1	N/A
30	265985-9	SKRUTKA SAMOREZNÁ M6	1	N/A
31	265995-6	SKRUTKA SAMOREZNÁ 4x18	3	N/A



## Makita Werkzeug Ges.m.b.H.

Airportstr. 4, 2401 Fischamend

Tel: 02232 / 777 00

Fax: 02232 / 777 00 - 40

Mail: verkauf@makita.at

Web: www.makita.at

### Makita Service Information / Model: LH1040

POS	Bestell-Nr.	Artikelbeschreibung	Stk.	Stk.Preis
32	418620-0	KRYT UMELÝ LH1040/F	1	N/A
33	654561-8	SVORKOVNICA 2012NB/LH1040/F	1	N/A
34	631613-2	SOFT START CIRCUIT	1	N/A
35	265995-6	SKRUTKA SAMOREZNÁ 4x18	2	N/A
36	687052-4	DRŽIAK KÁBLA	1	N/A
36.2	687124-5	DRŽIAK KÁBLA MT240/953T955	1	N/A
37	599519-9	STATOR 220 V LH1040/F	1	N/A
38	418621-8	BAFFLE PLATE	1	N/A
39	211061-7	LOŽISKO GULIČKOVÉ 6000LLB	1	N/A
40	681640-9	IZOLACNA PODLOZKA	1	N/A
41	516718-8	KOTVA UPLNA 220 V LS1040/F 804	1	N/A
41		*** INC. 39,40,42,44,45		N/A
42	241909-9	FAN 80	1	N/A
43	343641-2	ARETACIA VRETENA LS1030/40/F	1	N/A
44	211206-7	LOŽISKO GULIČKOVÉ 6202LLB	1	N/A
45	267280-3	FLAT WASHER 15 new	1	N/A
46	231297-2	PRUŽINA 9 LS1030/1040F/LH	1	N/A
47	324496-4	LOCK PIN 8	1	N/A
48	266029-8	SKRUTKA SAMOREZNÁ 5x65	2	N/A
49	418629-2	KRYT VYPÍNAČA LH1040	1	N/A
50	265995-6	SKRUTKA SAMOREZNÁ 4x18	4	N/A
52	652772-9	RELÉ LH1040/F	1	N/A
53	153996-5	PLATNIČKA KPL. LH1040/F	1	N/A
54	266020-6	SKRUTKA SAMOREZNÁ 4x12MM	2	N/A
55	153995-7	RUKOVAŤ LH1040/F	1	N/A
56	941201-0	PODLOŽKA 8 941201-0	2	N/A
57	331683-8	Pipe 9-126	1	N/A
58	860807-4	NAME PLATE LH1040	1	N/A
58.2	864415-3	NAME PLATE LH1040 new	1	N/A
59	911383-2	SKRUTKA M6x60 911383-2	4	N/A
60	181044-0	UHLÍKY CB-153 (CB-152) 1200	1	N/A
61	643650-4	VIECKO DRZIACA UHLIKOV 6,5x18	2	N/A
62	153994-9	Motor Housing Complete	1	N/A
62.2	158561-5	Motor Housing Complete new	1	N/A
63	682516-3	CHRANIC SNURY 9,3-85	1	N/A
64	665865-3	KÁBEL N5900BITD101	1	N/A
65	165389-4	Blade Guard	1	N/A
65.2	165659-1	Blade Guard	1	N/A
66	911206-4	SKRUTKA M5x10	2	N/A
67	272230-5	PÁČKA VYPÍNAČA 54 272230-5	1	N/A



## Makita Werkzeug Ges.m.b.H.

Airportstr. 4, 2401 Fischamend

Tel: 02232 / 777 00

Fax: 02232 / 777 00 - 40

Mail: verkauf@makita.at

Web: www.makita.at

### Makita Service Information / Model: LH1040

POS	Bestell-Nr.	Artikelbeschreibung	Stk.	Stk.Preis
68	231955-0	PODLOŽKA PRUŽNÁ 12	1	N/A
69	331682-0	LOCK BOLT M8x150	1	N/A
70	265995-6	SKRUTKA SAMOREZNÁ 4x18	4	N/A
71	645200-1	ODRUSOVACI KONDENZATOR	1	N/A
72	418618-7	Pin	1	N/A
73	443103-1	KRÚŽOK FILCOVÝ 6 6410/LH1040/F	1	N/A
74	253186-1	PODLOŽKA 7 4300SV/SB/LH1040/F	1	N/A
75	231025-5	PRUŽINA PRÍTLAČNÁ 8 8412DWA/LH1040/	1	N/A
76	418616-1	TLAČÍTKO VYPÍNAČA LH1040/F	1	N/A
77	418617-9	TLAČÍTKO VYPÍNAČA LH1040/F	1	N/A
78	231025-5	PRUŽINA PRÍTLAČNÁ 8 8412DWA/LH1040/	1	N/A
79	253186-1	PODLOŽKA 7 4300SV/SB/LH1040/F	1	N/A
80	443103-1	KRÚŽOK FILCOVÝ 6 6410/LH1040/F	1	N/A
81	418618-7	Pin	1	N/A
86	231674-8	PRUŽINA TORZNÁ 9 LH1040/F	1	N/A
87	421589-9	KRYTKA	1	N/A
88	345427-0	Lock Lever	1	N/A
89	911113-1	SKRUTKA M4x10	2	N/A
90	265995-6	SKRUTKA SAMOREZNÁ 4x18	3	N/A
91	265995-6	SKRUTKA SAMOREZNÁ 4x18	2	N/A
92	912222-9	SKRUTKA SO ZAP. HLAVOU M5x16	4	N/A
93	912222-9	SKRUTKA SO ZAP. HLAVOU M5x16	4	N/A
94	272230-5	PÁČKA VYPÍNAČA 54 272230-5	1	N/A
95	231955-0	PODLOŽKA PRUŽNÁ 12	1	N/A
96	331681-2	LOCK BOLT M8x70	1	N/A
97	233042-1	COMPRESSION SPRING 14	1	N/A
98	257675-8	SLEEVE 8	1	N/A
99	317779-9	Table support	1	N/A
100	153992-3	DOSKA ZÁKLADNÁ LH1040/F	1	N/A
100.2	141630-9	Table complete	1	N/A
101	165388-6	Support plate	2	N/A
102	418619-5	UNDER GUARD R	1	N/A
102.2	453029-9	UNDER GUARD R	1	N/A
105	233415-8	Compression Spring 21	1	N/A
106	251812-6	SKRUTKA NADSTAVOVACIA M5x10	1	N/A
107	251961-9	HEX. SOCKET HEAD BOLT M6x10	1	N/A
108	345425-4	PLATNIČKA ŠPANOVCIA LH1040/F	1	N/A
109	231675-6	PRUŽINA TORZNÁ 11 LH1040/F	1	N/A
110	267070-4	PODLOŽKA 10 4602DW/LH1040/F	1	N/A
111	911223-4	SKRUTKA M5x16	2	N/A



## Makita Werkzeug Ges.m.b.H.

Airportstr. 4, 2401 Fischamend

Tel: 02232 / 777 00

Fax: 02232 / 777 00 - 40

Mail: verkauf@makita.at

Web: www.makita.at

### Makita Service Information / Model: LH1040

POS	Bestell-Nr.	Artikelbeschreibung	Stk.	Stk.Preis
112	324497-2	OSKA LH1040/F/LF1000	1	N/A
113	911223-4	SKRUTKA M5x16	1	N/A
114	345426-2	KRYT OCHRANNÝ LH1040/F	1	N/A
115	961018-5	STOP KRUZOK E-5	1	N/A
116	253804-1	PODLOŽKA 6 3901	1	N/A
117	257163-5	KRÚŽOK 3 LS1013/800DWB	1	N/A
118	344377-6	KLBOVA DOSKA LS1040/F	1	N/A
119	265984-1	SKRUTKA INBUSOVÁ M6	1	N/A
120	253823-7	PODLOŽKA 7	1	N/A
121	257162-7	KRÚŽOK 7	1	N/A
122	416006-2	ZVIERACIA PACKA 100	1	N/A
123	911113-1	SKRUTKA M4x10	1	N/A
124	265437-0	HEX. BOLT M10	1	N/A
125	253024-7	PODLOŽKA 10 253024-7	1	N/A
126	256836-7	ROD 16	1	N/A
127	154463-3	DRŽIAK RAMENA LS/LH/1040/F	1	N/A
127.2	141139-1	ARM COMPLETE	1	N/A
128	421867-7	Cap	1	N/A
129	324183-5	VALČEK	1	N/A
130	213021-5	O-KRÚŽOK 5	1	N/A
131	271601-3	TLAČIDLO 20	1	N/A
132	256280-8	ŠTIFT 8 LS/LH/1040/F	1	N/A
133	344464-1	PODLOŽKA LS/LH/1040/F	1	N/A
134	233414-0	Compression Spring 27	1	N/A
135	343799-7	KLZNA DOSKA LS1040/F	3	N/A
136	344385-7	POINTER	1	N/A
137	911113-1	SKRUTKA M4x10	1	N/A
138	265455-8	HEX. BOLT M8x28	2	N/A
139	253762-1	FLAT WASHER 8	1	N/A
140	252105-4	MATICA M8-13	1	N/A
141	418615-3	KERF BOARD	1	N/A
141.2	453028-1	KERF BOARD	1	N/A
142	418615-3	KERF BOARD	1	N/A
142.2	453028-1	KERF BOARD	1	N/A
143	265488-3	SKRUTKA ŠEŠŤHRANNÁ M8x30 LS1040F/L	4	N/A
144	317782-0	Guide Fence	1	N/A
144.2	318798-8	Guide Fence	1	N/A
144.3	318895-0	Guide Fence	1	N/A
144.4	319200-4	PARALLELANSCHLAG LH1040	1	N/A
145	316824-7	TANIER ZAKL. LS/LH/1040/F	1	N/A



## Makita Werkzeug Ges.m.b.H.

Airportstr. 4, 2401 Fischamend

Tel: 02232 / 777 00

Fax: 02232 / 777 00 - 40

Mail: [verkauf@makita.at](mailto:verkauf@makita.at)

Web: [www.makita.at](http://www.makita.at)

### Makita Service Information / Model: LH1040

POS	Bestell-Nr.	Artikelbeschreibung	Stk.	Stk.Preis
145.2	318800-7	TURN BASE	1	N/A
146	265708-5	SCREW M6x20	1	N/A
146.2	911333-7	SKRUTKA M6x20	2	N/A
147	153998-1	STÔL LH1040/F	1	N/A
147.2	141140-6	DOSKA ZÁKLADNÁ LH1040/F	1	N/A
148	266034-5	SKRUTKA SAMOREZNÁ CT 4x16	1	N/A
149	232075-3	PERO LISTOVÉ LS1013/1214/LC1230	1	N/A
150	344381-5	KNOCK SPRING	1	N/A
151	273495-2	GRIP 32	1	N/A
152	911213-7	SKRUTKA M5x12	2	N/A
153	921452-1	HEX. BOLT M8x30	1	N/A
154	286212-1	KRYTKA 20 286212-1	4	N/A
155	265954-0	SKRUTKA SAMOREZNÁ 3x8mm	1	N/A
1001	122472-0	PLATNA-DORAZ	1	N/A
1001.2	122472-0	PLATNA-DORAZ	1	N/A
1002	122523-9	DUST BAG ASS'Y	1	N/A
1002.2	122852-0	DUST BAG ASS'Y	1	N/A
1003	122707-9	RULER ASS'Y	1	N/A
1004	257022-3	KRÚŽOK 16 LS1030/1040	1	N/A
1005	762001-3	TRIANGULAR RULE	1	N/A
1006	122716-8	PLATNIČKA LH1040/F	1	N/A
1007	322312-4	HOLDER	1	N/A
1007.2	123101-8	HOLDER ASSEMBLY	2	N/A
1008	416772-1	PUSH STICK	1	N/A
1009	418626-8	Blade cover	1	N/A
1009.2	453727-5	BLADE COVER	1	N/A
1010	B-03838	T.C.T.SAW BLADE 260X30X60T*** AEPD-005/101	1	N/A
1010.2	D-46408	TCT SAW BLADE 260 X 30 X 60T	1	N/A
1011	782212-4	SOCKET WRENCH 13	1	N/A
1013	122536-0	WISE ASS'Y	1	N/A
5005	346605-5	CAM PLATE	1	N/A
5006	266026-4	SKRUTKA 4x12	2	N/A
5007	346606-3	GUARD PLATE	1	N/A
5008	265011-4	SKRUTKA M5 JR3020	1	N/A
5009	253823-7	PODLOŽKA 7	1	N/A
5010	231684-5	TORTION SPRING 11	1	N/A
5011	251887-5	SKRUTKA KRÍDLOVÁ M6x10	1	N/A
5012	142817-6	ANSCHLAGPLATTE LH1040/F KPL.	1	N/A
5013	253715-0	PODLOŽKA 6	1	N/A
5014	265031-8	COUNTER SUNK SCREW M6X20	1	N/A



## Makita Werkzeug Ges.m.b.H.

Airportstr. 4, 2401 Fischamend

Tel: 02232 / 777 00

Fax: 02232 / 777 00 - 40

Mail: [verkauf@makita.at](mailto:verkauf@makita.at)

Web: [www.makita.at](http://www.makita.at)

### Makita Service Information / Model: LH1040

POS	Bestell-Nr.	Artikelbeschreibung	Stk.	Stk.Preis
5015	344476-4	SUB FENCE PLATE	1	N/A
5016	931302-2	SESTRANNA MATICA M6	1	N/A