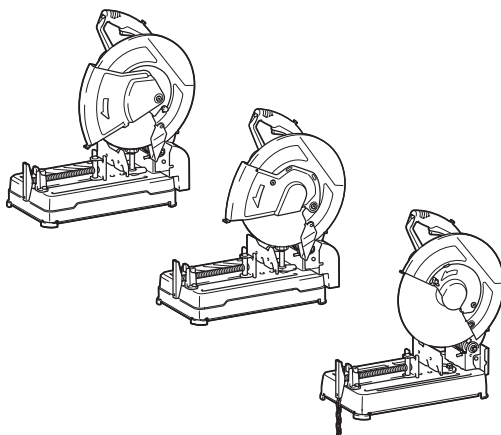
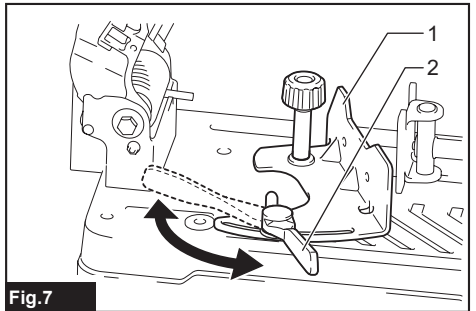
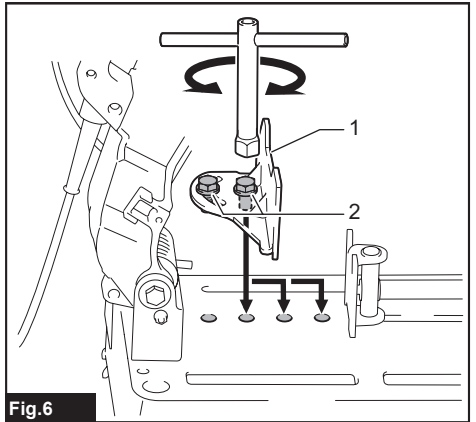
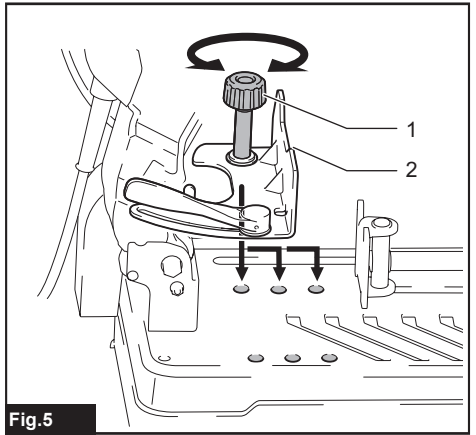
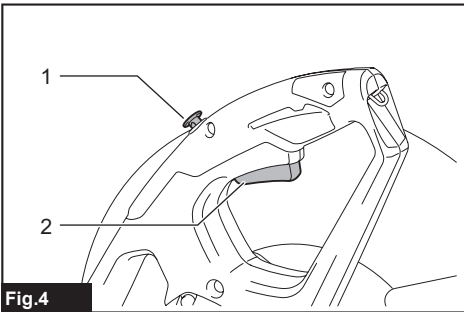
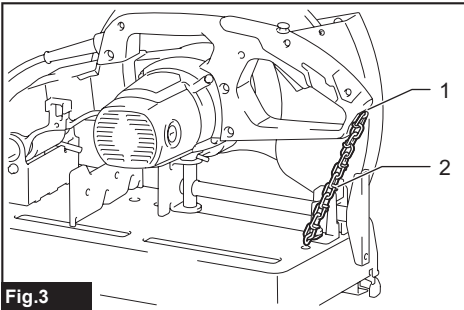
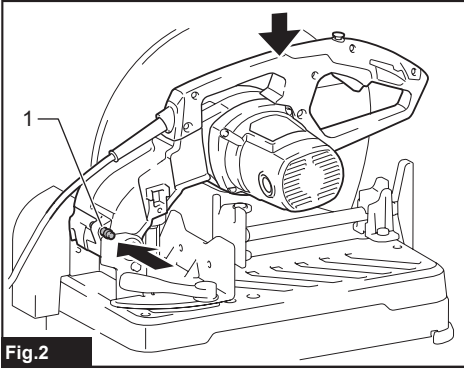
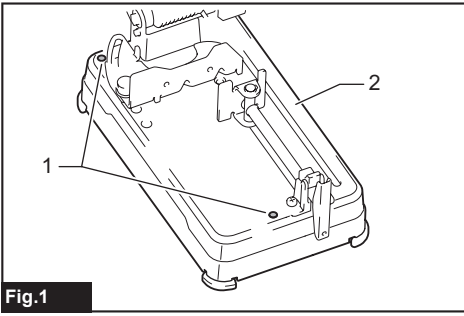


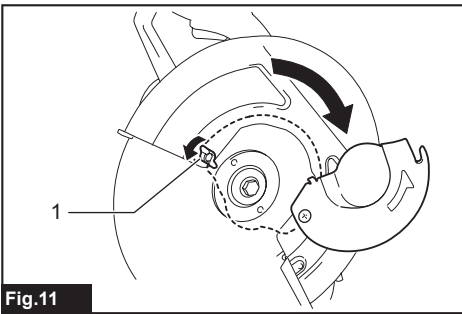
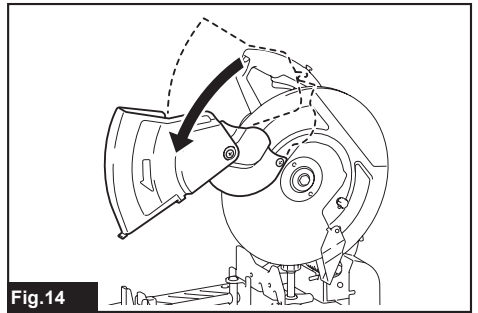
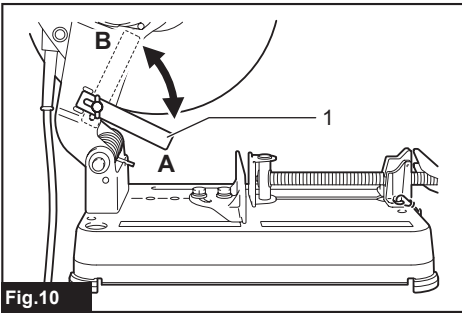
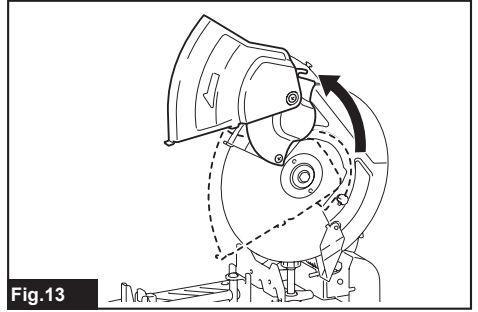
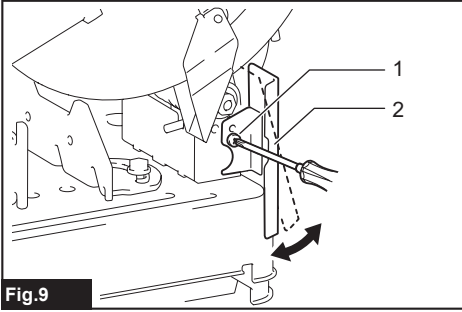
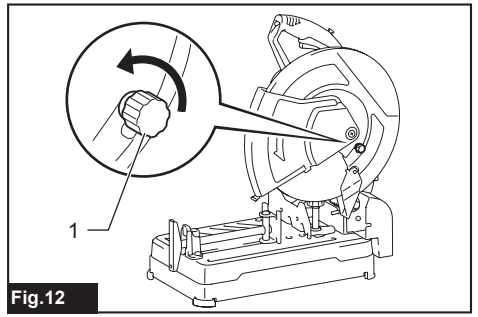
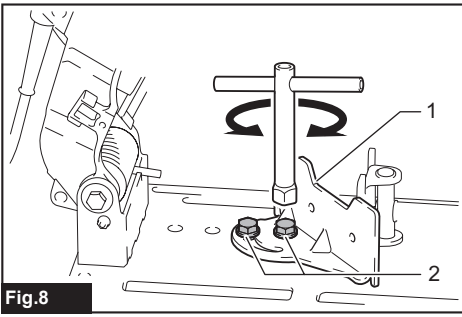


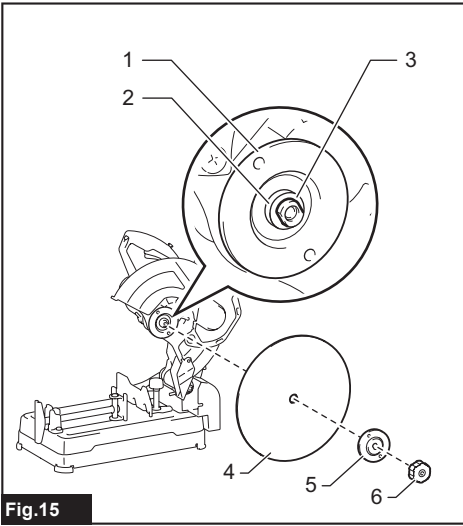
<b>EN</b>	Portable Cut-Off	INSTRUCTION MANUAL	6
<b>PL</b>	Przecinarka do metalu	INSTRUKCJA OBSŁUGI	12
<b>HU</b>	Hordozható gyorsdaraboló	HASZNÁLATI KÉZIKÖNYV	19
<b>SK</b>	Prenosná rozbrusovačka	NÁVOD NA OBSLUHU	25
<b>CS</b>	Rozbrušovačka	NÁVOD K OBSLUZE	31
<b>UK</b>	Портативна відрізна пила	ІНСТРУКЦІЯ З ЕКСПЛУАТАЦІЇ	37
<b>RO</b>	Debitor pentru metale portabil	MANUAL DE INSTRUCȚIUNI	44
<b>DE</b>	Trennschleifmaschine	BETRIEBSANLEITUNG	50

**LW1400**  
**LW1401**

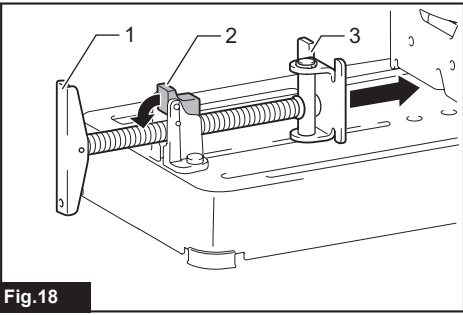




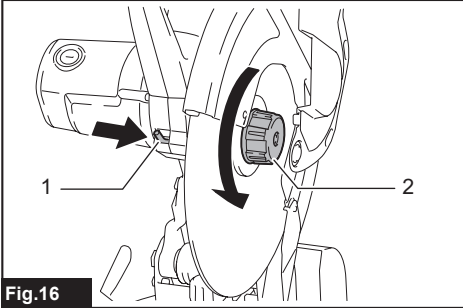




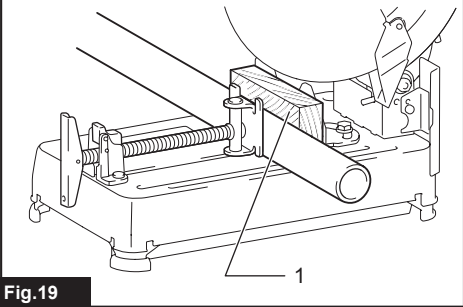
**Fig.15**



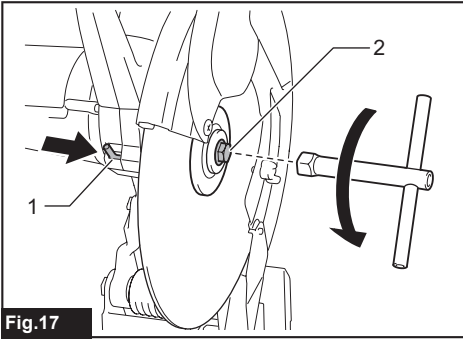
**Fig.18**



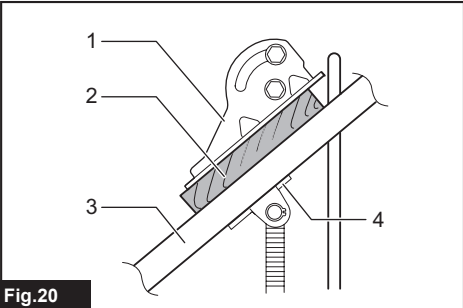
**Fig.16**



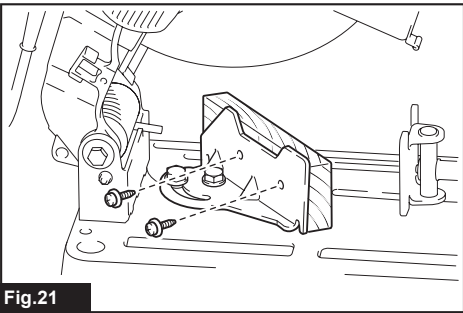
**Fig.19**



**Fig.17**



**Fig.20**



**Fig.21**



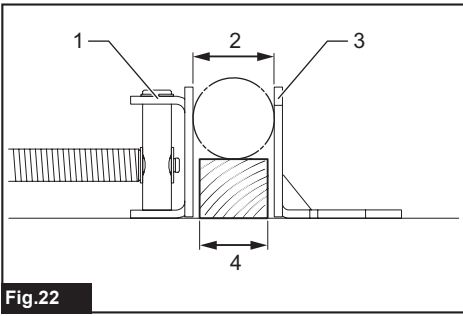


Fig.22

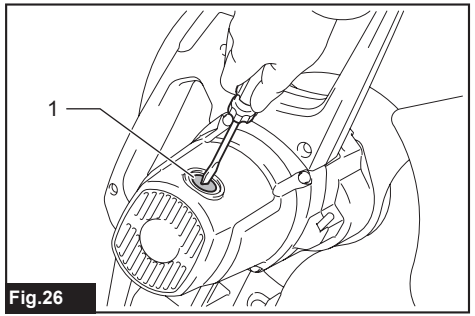


Fig.26

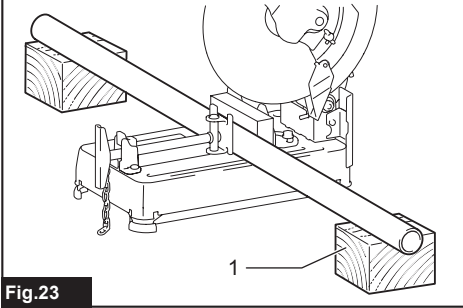


Fig.23

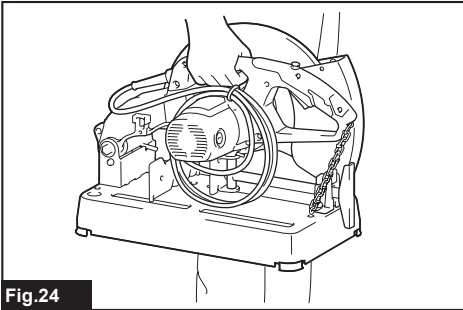


Fig.24

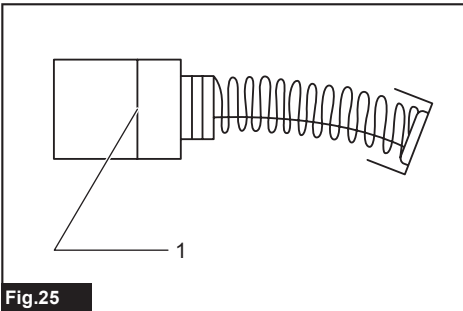


Fig.25

# SPECIFICATIONS

Model:		LW1400	LW1401
Wheel diameter		355 mm	
Max. wheel thickness		3 mm	
Hole diameter		25.4 mm	
No load speed		3,800 min <sup>-1</sup>	
Dimensions (L x W x H)	With European type safety guard	530 mm x 295 mm x 640 mm	500 mm x 295 mm x 640 mm
	With safety guard other than European type	530 mm x 290 mm x 640 mm	500 mm x 290 mm x 620 mm
Net weight	With European type safety guard and under cover	18.7 kg	18.3 kg
Safety class		□/II	

- Due to our continuing program of research and development, the specifications herein are subject to change without notice.
- Specifications may differ from country to country.
- Weight according to EPTA-Procedure 01/2003
- The shape and weight vary depending on the specifications which differ country to country.

## Intended use

The tool is intended for cutting in ferrous materials with appropriate abrasive cut-off wheel. Follow all laws and regulations regarding dust and work area health and safety in your country.

## Power supply

The tool should be connected only to a power supply of the same voltage as indicated on the nameplate, and can only be operated on single-phase AC supply. They are double-insulated and can, therefore, also be used from sockets without earth wire.

## For public low-voltage distribution systems of between 220 V and 250 V

Switching operations of electric apparatus cause voltage fluctuations. The operation of this device under unfavorable mains conditions can have adverse effects to the operation of other equipment. With a mains impedance equal or less than 0.18 Ohms it can be presumed that there will be no negative effects. The mains socket used for this device must be protected with a fuse or protective circuit breaker having slow tripping characteristics.

## Noise

The typical A-weighted noise level determined according to EN62841:

### Model LW1400

Sound pressure level ( $L_{pA}$ ): 102 dB(A)

Sound power level ( $L_{WA}$ ): 110 dB (A)

Uncertainty (K): 3 dB(A)

### Model LW1401

Sound pressure level ( $L_{pA}$ ): 102 dB(A)

Sound power level ( $L_{WA}$ ): 110 dB (A)

Uncertainty (K): 3 dB(A)

**⚠ WARNING:** Wear ear protection.

## Vibration

The vibration total value (tri-axial vector sum) determined according to EN62841:

### Model LW1400

Vibration emission ( $a_h$ ): 2.5 m/s<sup>2</sup> or less  
Uncertainty (K): 1.5 m/s<sup>2</sup>

### Model LW1401

Vibration emission ( $a_h$ ): 2.5 m/s<sup>2</sup> or less  
Uncertainty (K): 1.5 m/s<sup>2</sup>

**NOTE:** The declared vibration emission value has been measured in accordance with the standard test method and may be used for comparing one tool with another.

**NOTE:** The declared vibration emission value may also be used in a preliminary assessment of exposure.

**⚠ WARNING:** The vibration emission during actual use of the power tool can differ from the declared emission value depending on the ways in which the tool is used.

**⚠ WARNING:** Be sure to identify safety measures to protect the operator that are based on an estimation of exposure in the actual conditions of use (taking account of all parts of the operating cycle such as the times when the tool is switched off and when it is running idle in addition to the trigger time).

## EC Declaration of Conformity

### For European countries only

The EC declaration of conformity is included as Annex A to this instruction manual.

## General power tool safety warnings

**⚠️ WARNING:** Read all safety warnings, instructions, illustrations and specifications provided with this power tool. Failure to follow all instructions listed below may result in electric shock, fire and/or serious injury.

## Save all warnings and instructions for future reference.

The term "power tool" in the warnings refers to your mains-operated (corded) power tool or battery-operated (cordless) power tool.

## Cut-off machine safety warnings

- 1. Position yourself and bystanders away from the plane of the rotating wheel.** The guard helps to protect the operator from broken wheel fragments and accidental contact with wheel.
- 2. Use only bonded reinforced cut-off wheels for your power tool.** Just because an accessory can be attached to your power tool, it does not assure safe operation.
- 3. The rated speed of the accessory must be at least equal to the maximum speed marked on the power tool.** Accessories running faster than their rated speed can break and fly apart.
- 4. Wheels must be used only for recommended applications. For example: do not grind with the side of a cut-off wheel.** Abrasive cut-off wheels are intended for peripheral grinding, side forces applied to these wheels may cause them to shatter.
- 5. Always use undamaged wheel flanges that are of correct diameter for your selected wheel.** Proper wheel flanges support the wheel thus reducing the possibility of wheel breakage.
- 6. The outside diameter and the thickness of your accessory must be within the capacity rating of your power tool.** Incorrectly sized accessories cannot be adequately guarded or controlled.
- 7. The arbour size of wheels and flanges must properly fit the spindle of the power tool.** Wheels and flanges with arbour holes that do not match the mounting hardware of the power tool will run out of balance, vibrate excessively and may cause loss of control.
- 8. Do not use damaged wheels. Before each use, inspect the wheels for chips and cracks. If the power tool or wheel is dropped, inspect for damage or install an undamaged wheel. After inspecting and installing the wheel, position yourself and bystanders away from the plane of the rotating wheel and run the power tool at maximum no load speed for one minute.** Damaged wheels will normally break apart during this test time.
- 9. Wear personal protective equipment. Depending on application, use face shield, safety goggles or safety glasses. As appropriate, wear dust mask, hearing protectors, gloves and shop apron capable of stopping small abrasive or workpiece fragments.** The eye protection must be capable of stopping flying debris generated by various operations. The dust mask or respirator must be capable of filtering particles generated by your operation. Prolonged exposure to high intensity noise may cause hearing loss.

- 10. Keep bystanders a safe distance away from work area. Anyone entering the work area must wear personal protective equipment.** Fragments of workpiece or of a broken wheel may fly away and cause injury beyond immediate area of operation.
- 11. Position the cord clear of the spinning accessory.** If you lose control, the cord may be cut or snagged and your hand or arm may be pulled into the spinning wheel.
- 12. Regularly clean the power tool's air vents.** The motor's fan can draw the dust inside the housing and excessive accumulation of powdered metal may cause electrical hazards.
- 13. Do not operate the power tool near flammable materials. Do not operate the power tool while placed on a combustible surface such as wood.** Sparks could ignite these materials.
- 14. Do not use accessories that require liquid coolants.** Using water or other liquid coolants may result in electrocution or shock.

### Kickback and related warnings

Kickback is a sudden reaction to a pinched or snagged rotating wheel. Pinching or snagging causes rapid stalling of the rotating wheel which in turn causes the uncontrolled cutting unit to be forced upwards toward the operator. For example, if an abrasive wheel is snagged or pinched by the workpiece, the edge of the wheel that is entering into the pinch point can dig into the surface of the material causing the wheel to climb out or kick out. Abrasive wheels may also break under these conditions. Kickback is the result of power tool misuse and/or incorrect operating procedures or conditions and can be avoided by taking proper precautions as given below.

- 1. Maintain a firm grip on the power tool and position your body and arm to allow you to resist kickback forces.** The operator can control upward kickback forces, if proper precautions are taken.
- 2. Do not position your body in line with the rotating wheel.** If kickback occurs, it will propel the cutting unit upwards toward the operator.
- 3. Do not attach a saw chain, woodcarving blade, segmented diamond wheel with a peripheral gap greater than 10 mm or toothed saw blade.** Such blades create frequent kickback and loss of control.
- 4. Do not "jam" the wheel or apply excessive pressure. Do not attempt to make an excessive depth of cut.** Overstressing the wheel increases the loading and susceptibility to twisting or binding of the wheel in the cut and the possibility of kickback or wheel breakage.
- 5. When the wheel is binding or when interrupting a cut for any reason, switch off the power tool and hold the cutting unit motionless until the wheel comes to a complete stop. Never attempt to remove the wheel from the cut while the wheel is in motion otherwise kickback may occur.** Investigate and take corrective action to eliminate the cause of wheel binding.
- 6. Do not restart the cutting operation in the workpiece. Let the wheel reach full speed and carefully re-enter the cut.** The wheel may bind, walk up or kickback if the power tool is restarted in the workpiece.

7. **Support any oversized workpiece to minimize the risk of wheel pinching and kickback.** Large workpieces tend to sag under their own weight. Supports must be placed under the workpiece near the line of cut and near the edge of the workpiece on both sides of the wheel.

#### Additional safety warnings

1. **Watch out for flying sparks when operating.**  
They can cause injury or ignite combustible materials.
2. **Secure work. Use clamps or a vise to hold work when practical.** It's safer than using your hand and it frees both hands to operate tool.
3. **Secure the wheel carefully.**
4. **Be careful not to damage the spindle, flanges (especially the installing surface) or bolt, or the wheel itself might break.**
5. **Keep guards in place and in working order.**
6. **Hold the handle firmly.**
7. **Keep hands away from rotating parts.**
8. **Make sure the wheel is not contacting the work-piece before the switch is turned on.**
9. **Before each use, watch for flutter or excessive vibration that might be caused by poor installation or a poorly balanced wheel.**
10. **Remove material or debris from the area that might be ignited by sparks. Be sure that others are not in the path of the sparks. Keep a proper, charged fire extinguisher closely available.**
11. **If the wheel stops during the operation, makes an odd noise or begins to vibrate, switch off the tool immediately.**
12. **Always switch off and wait for the wheel to come to a complete stop before removing, securing workpiece, working vise, changing work position, angle or the wheel itself.**
13. **Do not touch the workpiece immediately after operation; it is extremely hot and could burn your skin.**
14. **Store wheels in a dry location only.**

## SAVE THESE INSTRUCTIONS.

## INSTALLATION

**⚠ WARNING:** This tool produces spark when cutting a workpiece. Do not install this tool in the place in which flammable and/or explosive materials might be ignited by the spark from the tool. Also make sure that there is no such material near the tool before starting the operation.

### Securing the base

This tool should be bolted with two bolts to a level and stable surface using the bolt holes provided in the tool's base. This will help prevent tipping over and possible personal injury.

► **Fig.1:** 1. Bolt holes 2. Base

## FUNCTIONAL DESCRIPTION

**⚠ CAUTION:** Always be sure that the tool is switched off and unplugged before adjusting or checking function on the tool.

### Unlocking/locking tool head

The tool head can be locked. Always lock the tool head when not in use or carrying.

#### For LW1400

To unlock, depress the tool head slightly and push the lock pin. To lock, return the lock pin while holding down the tool head.

► **Fig.2:** 1. Lock pin

#### For LW1401

Unhook the lock chain from the hook. Always hook the lock chain to the hook when not in use.

► **Fig.3:** 1. Hook 2. Lock chain

### Switch action

**⚠ WARNING:** Before plugging in the tool, always check to see that the switch trigger actuates properly and returns to the "OFF" position when released.

► **Fig.4:** 1. Lock button / Lock-off button 2. Switch trigger

#### For tool with lock button

To start the tool, simply pull the switch trigger. Release the switch trigger to stop. For continuous operation, pull the switch trigger, push in the lock button and then release the switch trigger. To stop the tool from the locked position, pull the trigger fully, then release it.

**⚠ CAUTION:** Switch can be locked in "ON" position for ease of operator comfort during extended use. Apply caution when locking tool in "ON" position and maintain firm grasp on tool.

#### For tool with lock-off button

To prevent the switch trigger from being accidentally pulled, a lock-off button is provided. To start the tool, press the lock-off button and pull the switch trigger. Release the switch trigger to stop.

**⚠ WARNING:** NEVER defeat the lock-off button by taping down or some other means. A switch with a negated lock-off button may result in unintentional operation and serious personal injury.

**⚠ WARNING:** NEVER use the tool if it runs when you simply pull the switch trigger without pressing the lock-off button. A switch in need of repair may result in unintentional operation and serious personal injury. Return tool to a Makita service center for proper repairs BEFORE further usage.

**NOTICE:** Do not pull the switch trigger hard without pressing in the lock-off button. This can cause switch breakage.

## Interval between vise and guide plate

**CAUTION:** After adjusting the interval between the vise and the guide plate, make sure that the guide plate is properly secured. Insufficient fixing may result in personal injury.

The following interval settings of the vise are available:

- 0 - 170 mm (original setting)
- 35 - 205 mm
- 70 - 240 mm

If your work requires different setting, proceed as follows to change the spacing or interval.

### For LW1400

Loosen the screw on the guide plate. Move the guide plate to the desired position then tighten the screw.

► **Fig.5:** 1. Screw 2. Guide plate

### For LW1401

Remove the two hex bolts using a socket wrench. Move the guide plate to the desired position and secure it with the hex bolts.

► **Fig.6:** 1. Guide plate 2. Hex bolts

## Cutting angle adjustment

**CAUTION:** After adjusting the angle of the guide plate, make sure that the guide plate is properly secured. Insufficient fixing may result in personal injury.

**CAUTION:** Do not operate the tool when the material is not firmly secured with the vise because of the cutting angle.

### For LW1400

Turn the lever counterclockwise. Move the guide plate to the desired angle and fully tighten the lever.

► **Fig.7:** 1. Guide plate 2. Lever

### For LW1401

**NOTICE:** When performing right miter cut, always set the guide plate at 0 - 170 mm position. Setting at the 35 - 205 mm or 70 - 240 mm position hinders the movement of stopper plate, which results in a failure cut.

Loosen the two hex bolts using a socket wrench. Turn the guide plate to the desired angle and secure it with the hex bolts. Be careful not to move the set angle while securing the hex bolts.

► **Fig.8:** 1. Guide plate 2. Hex bolts

**NOTE:** The scale on the guide plate is only a rough indication. For more accurate angle, use a protractor or triangle ruler. Keep the handle down so that the cut-off wheel extends into the base. At the same time, adjust the angle between the guide plate and the cut-off wheel with a protractor or triangle ruler.

## Spark guard adjustment

*For LW1401 only (country specific)*

► **Fig.9:** 1. Screw 2. Spark guard

The spark guard is factory-installed with its lower edge contacting the base. Operating the tool in this position will cause many sparks to fly around. Loosen the screw and adjust the spark guard to a position at which minimum sparks will fly around.

## Stopper plate

*For LW1401 only (country specific)*

► **Fig.10:** 1. Stopper plate

The stopper plate prevents the cut-off wheel from contacting the workbench or floor. When a new cut-off wheel is installed, set the stopper plate to position (A). When the cut-off wheel wears down to the extent that the lower portion of the workpiece is left uncut, set the stopper plate to position (B) to allow increased cutting capacity with a worn down wheel.

## ASSEMBLY

**CAUTION:** Always be sure that the tool is switched off and unplugged before carrying out any work on the tool.

## Opening center cap type safety guard

*Country specific*

For the tools equipped with center cap type safety guard, loosen the clamping screw first then raise the guard.

► **Fig.11:** 1. Clamping screw

## Opening European type safety guard

*Country specific*

For the tools equipped with European type safety guard, loosen the clamping screw first then open the guard as shown.

► **Fig.12:** 1. Clamping screw

► **Fig.13**

► **Fig.14**

## Removing or installing cut-off wheel

**CAUTION:** Be sure to tighten the toolless clamp or hex bolt securely. Insufficient tightening may result in severe injury. When tightening the hex bolt, use the socket wrench provided with the tool to assure proper tightening.

**CAUTION:** Always use only the proper inner and outer flanges which are provided with the tool.

**CAUTION:** Always lower the safety guard after replacing the wheel.

**CAUTION:** Wear gloves when handling wheels.

► **Fig.15:** 1. Inner flange 2. Ring 3. O-ring 4. Cut-off wheel 5. Outer flange 6. Toolless clamp / Hex bolt

### For LW1400

Raise the safety guard. Turn the toolless clamp counterclockwise while holding down the shaft lock. Then remove the toolless clamp, outer flange and cut-off wheel. When removing the cut-off wheel, do not remove the inner flange as well as the ring and O-ring.

► **Fig.16:** 1. Shaft lock 2. Toolless clamp

To install the cut-off wheel, follow the removal procedures in reverse. Make sure to fit the hole of cut-off wheel to the ring and return the safety guard.

### For LW1401

Raise the safety guard. Turn the hex bolt counterclockwise using a socket wrench while holding down the shaft lock. Then remove the hex bolt, outer flange and wheel.

► **Fig.17:** 1. Shaft lock 2. Hex bolt

To install the wheel, follow the removal procedures in reverse. Make sure to fit the hole of cut-off wheel to the ring and return the safety guard.

## OPERATION

**CAUTION:** Proper handle pressure during cutting and maximum cutting efficiency can be determined by the amount of sparks that is produced while cutting. Do not force the cut by applying excessive pressure on the handle.

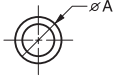
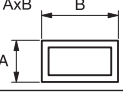
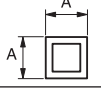

Reduced cutting efficiency, premature wheel wear, as well as, possible damage to the tool, cut-off wheel or workpiece may result.

Hold the handle firmly. Switch on the tool and wait until the wheel attains full speed before lowering gently into the cut. When the wheel contacts the workpiece, gradually bear down on the handle to perform the cut. When the cut is completed, switch off the tool and wait until the wheel has come to a complete stop before returning the handle to the fully elevated position.

## Cutting capacity

Maximum cutting capacity varies depending on the cutting angle and workpiece shape.

### Max. cutting capacity with a brand-new cut-off wheel

Cutting angle / Workpiece shape	90°	45°
	127 mm	127 mm
	115 x 130 mm 102 x 194 mm 70 x 233 mm	115 x 103 mm
	119 x 119 mm	106 x 106 mm
	137 x 137 x 10 mm	100 x 100 x 10 mm

## Securing workpiece

**CAUTION:** Always place the thread holder on the shaft threads when securing the workpiece.

Failure to do so may result in insufficient securing of the workpiece. This could cause the workpiece to be ejected or cause a dangerous breakage of the wheel.

While the thread holder is lifted, the vise plate can be moved in and out quickly. To grip a workpiece, push the handle until the vise plate contacts the workpiece then return the thread holder. Turn the handle clockwise until the workpiece is securely retained.

► **Fig.18:** 1. Handle 2. Thread holder 3. Vise plate

When the cut-off wheel has worn down considerably, place a spacer block behind the workpiece as shown in the figure. You can more efficiently utilize the worn wheel by using the mid point on the periphery of the wheel to cut the workpiece. Use a sturdy and non-flammable material for a spacer block.

► **Fig.19:** 1. Spacer block

When cutting workpieces over 85 mm wide at an angle, attach a straight piece of wood (spacer) over 190 mm long x 45 mm wide to the guide plate as shown in the figure. Attach this spacer with screws through the holes in the guide plate. Make sure that the cut-off wheel does not contact the spacer when the tool head is depressed.

► **Fig.20:** 1. Guide plate 2. Spacer block (over 190 mm long x 45 mm wide) 3. Workpiece (over 85 mm wide) 4. Vise plate

► **Fig.21**

When the cut-off wheel has worn down, raise the cutting position by putting a spacer block which is slightly narrower than the workpiece as shown in the figure. This will help you to utilize the wheel economically.

- **Fig.22:** 1. Vise plate 2. Workpiece diameter  
3. Guide plate 4. Spacer block width

Long workpieces must be supported by blocks on either side so that it will be level with the base top. Use non-flammable material for supporting blocks.

- **Fig.23:** 1. Supporting block

## Carrying tool

Fold down the tool head and lock it. Hold the handle when carrying.

- **Fig.24**

## MAINTENANCE

**⚠ CAUTION:** Always be sure that the tool is switched off and unplugged before attempting to perform inspection or maintenance.

**NOTICE:** Never use gasoline, benzine, thinner, alcohol or the like. Discoloration, deformation or cracks may result.

## Replacing carbon brushes

- **Fig.25:** 1. Limit mark

Check the carbon brushes regularly. Replace them when they wear down to the limit mark. Keep the carbon brushes clean and free to slip in the holders. Both carbon brushes should be replaced at the same time. Use only identical carbon brushes.

1. Use a screwdriver to remove the brush holder caps.
2. Take out the worn carbon brushes, insert the new ones and secure the brush holder caps.

- **Fig.26:** 1. Brush holder cap

## OPTIONAL ACCESSORIES

**⚠ CAUTION:** These accessories or attachments are recommended for use with your Makita tool specified in this manual. The use of any other accessories or attachments might present a risk of injury to persons. Only use accessory or attachment for its stated purpose.

If you need any assistance for more details regarding these accessories, ask your local Makita Service Center.

- Abrasive cut-off wheels
- Socket wrench (for LW1401 only)

**NOTE:** Some items in the list may be included in the tool package as standard accessories. They may differ from country to country.



## DANE TECHNICZNE

Model:		LW1400	LW1401
Średnica ściernicy		355 mm	
Maks. grubość ściernicy		3 mm	
Średnica otworu		25,4 mm	
Prędkość bez obciążenia		3 800 min <sup>-1</sup>	
Wymiary (dług. x szer. x wys.)	Z osłoną bezpieczeństwa używaną w krajach europejskich	530 mm x 295 mm x 640 mm	500 mm x 295 mm x 640 mm
	Z osłoną bezpieczeństwa inną niż używana w krajach europejskich	530 mm x 290 mm x 640 mm	500 mm x 290 mm x 620 mm
Ciężar netto	Z osłoną bezpieczeństwa i osłoną spodnią używaną w krajach europejskich	18,7 kg	18,3 kg
Klasa bezpieczeństwa		□/II	

- W związku ze stale prowadzonym przez naszą firmę programem badawczo-rozwojowym niniejsze dane mogą ulec zmianom bez wcześniejszego powiadomienia.
- Dane techniczne mogą różnić się w zależności od kraju.
- Ciężar podany zgodnie z procedurą EPTA 01/2003.
- Kształt i masa zależą od danych technicznych, które mogą się różnić w poszczególnych krajach.

### Przeznaczenie

Narzędzie jest przeznaczone do cięcia materiałów żelaznych przy użyciu odpowiedniej ściernicy tnącej. Przestrzegać wszystkich przepisów i norm dotyczących pyłu oraz przepisów BHP obowiązujących w danym kraju.

### Zasilanie

Narzędzie wolno podłączać tylko do źródeł zasilania o napięciu zgodnym z napięciem podanym na tabliczce znamionowej. Można je zasilać wyłącznie jednofazowym prądem przemiennym. Narzędzie ma podwójną izolację, dlatego też można je zasilać z gniazda elektrycznego bez uziemienia.

### Dotyczy niskonapięciowych sieci elektroenergetycznych o napięciu pomiędzy 220 V a 250 V

Włączanie i wyłączanie urządzeń elektrycznych powoduje wahania napięcia. Posługiwanie się narzędziem przy niesprzyjających parametrach zasilania może mieć niekorzystny wpływ na działanie innych urządzeń. Jeśli impedancja sieci elektrycznej jest mniejsza lub równa 0,18 Ω można założyć, że niekorzystne efekty nie wystąpią. Gniazdo sieciowe używane do podłączenia tego urządzenia powinno być zabezpieczone bezpiecznikiem lub wyłącznikiem o zwłocznej charakterystyce wyłączania.

### Hałas

Typowy równoważny poziom dźwięku A określony w oparciu o normę EN62841:

#### Model LW1400

Poziom ciśnienia akustycznego ( $L_{pA}$ ): 102 dB(A)  
 Poziom mocy akustycznej ( $L_{WA}$ ): 110 dB (A)  
 Niepewność (K): 3 dB(A)

#### Model LW1401

Poziom ciśnienia akustycznego ( $L_{pA}$ ): 102 dB(A)  
 Poziom mocy akustycznej ( $L_{WA}$ ): 110 dB (A)  
 Niepewność (K): 3 dB(A)

**⚠ OSTRZEŻENIE:** Nosić ochronniki słuchu.

### Drgania

Całkowita wartość poziomu drgań (suma wektorów w 3 osiach) określona zgodnie z normą EN62841:

#### Model LW1400

Emisja drgań ( $a_{h1}$ ): 2,5 m/s<sup>2</sup> lub mniej  
 Niepewność (K): 1,5 m/s<sup>2</sup>

#### Model LW1401

Emisja drgań ( $a_{h1}$ ): 2,5 m/s<sup>2</sup> lub mniej  
 Niepewność (K): 1,5 m/s<sup>2</sup>

**WSKAZÓWK:** Deklarowana wartość wytwarzanych drgań została zmierzona zgodnie ze standardową metodą testową i można ją wykorzystywać do porównywania narzędzi.

**WSKAZÓWK:** Deklarowaną wartość wytwarzanych drgań można także wykorzystać we wstępnej ocenie narażenia.

**⚠ OSTRZEŻENIE:** Drgania wytwarzane podczas rzeczywistego użytkowania elektronarzędzia mogą się różnić od wartości deklarowanej, w zależności od sposobu jego użytkowania.

**⚠ OSTRZEŻENIE:** W oparciu o szacowane narażenie w rzeczywistych warunkach użytkowania należy określić środki bezpieczeństwa w celu ochrony operatora (uwzględniając wszystkie elementy cyklu działania, tj. czas, kiedy narzędzie jest wyłączone i kiedy pracuje na biegu jałowym, a także czas, kiedy jest włączone).



## Deklaracja zgodności WE

### Dotyczy tylko krajów europejskich

Deklaracja zgodności WE jest dołączona jako załącznik A do niniejszej instrukcji obsługi.

## Ogólne zasady bezpiecznej eksploatacji elektronarzędzia

**⚠️ OSTRZEŻENIE:** Należy zapoznać się z ostrzeżeniami dotyczącymi bezpieczeństwa, instrukcjami, ilustracjami i danymi technicznymi dotyczącymi do tego elektronarzędzia. Niezastosowanie się do podanych poniżej instrukcji może prowadzić do porażenia prądem, pożaru i/lub poważnych obrażeń ciała.

## Wszystkie ostrzeżenia i instrukcje należy zachować do wykorzystania w przyszłości.

Pojęcie „elektronarzędzie”, występujące w wymienionych tu ostrzeżeniach, odnosi się do elektronarzędzia zasilanego z sieci elektrycznej (z przewodem zasilającym) lub do elektronarzędzia akumulatorowego (bez przewodu zasilającego).

## Ostrzeżenia dotyczące bezpieczeństwa dla przecinarki

1. **Stanąc w taki sposób i tak ustawić narzędzie, aby nikt nie znajdował się w płaszczyźnie obrotu ściernicy.** Osłona chroni operatora przed wyrusznymi odłamkami ściernicy i przypadkowym jej dotknięciem.
2. **Z elektronarzędziem należy stosować tylko ściernice tnące wzmocnione spoiwem.** Sam fakt, że dany osprzęt można zamontować na elektronarzędziu, nie oznacza, że jego eksploatacja będzie bezpieczna.
3. **Prędkość znamionowa osprzętu powinna być przynajmniej równa maksymalnej prędkości podanej na elektronarzędziu.** Osprzęt pracujący przy większej prędkości niż jego prędkość znamionowa może pęknąć i rozpaść się na kawałki.
4. **Ściernice należy używać tylko zgodnie z przeznaczeniem. Na przykład: nie wolno szlifować bocznią powierzchnią ściernicy tnącej.** Ściernice tnące są przeznaczone do szlifowania obwodowego. Siły boczne przyłożone do takich ściernic mogą spowodować ich rozpadnięcie.
5. **Zawsze należy używać nieuszkodzonych kołnierzy mocujących o rozmiarze i kształcie właściwie dobranym do wybranego rodzaju ściernicy.** Odpowiednie kołnierze mocujące podtrzymują ściernicę, zmniejszając tym samym prawdopodobieństwo jej pęknięcia.
6. **Zewnętrzna średnica i grubość osprzętu musi mieścić się w zakresie dopuszczalnym dla tego elektronarzędzia.** Nie można zapewnić prawidłowej osłony i kontroli osprzętu o niewłaściwym rozmiarze.
7. **Średnica otworu ściernicy oraz kołnierze musi być właściwie dopasowana do wrzeciona narzędzia.** Ściernice i kołnierze z otworami, które nie są dopasowane do uchwytu mocującego w elektronarzędziu będą niewyważone podczas pracy, powodując nadmierne drgania i ryzyko utraty kontroli nad narzędziem.
8. **Nie wolno używać uszkodzonych ściernic.** Przed każdorazowym użyciem należy sprawdzić ściernicę pod kątem ewentualnych ubytków i pęknięć. W przypadku upuszczenia elektronarzędzia lub ściernicy należy sprawdzić, czy nie doszło do uszkodzenia i ewentualnie zamontować nieuszkodzoną ściernicę. Po sprawdzeniu bądź zamontowaniu ściernic należy stanąć w taki sposób i tak ustawić narzędzie, aby nikt nie znajdował się w płaszczyźnie obrotu ściernicy, po czym na jedną minutę uruchomić elektronarzędzie z maksymalną prędkością bez obciążenia. Uszkodzona ściernica zwykle rozpada się podczas takiej próby.
9. **Używać środków ochrony osobistej. W zależności od wykonywanej pracy należy używać osłony twarzy, gogli lub okularów ochronnych. W miarę potrzeb zakładać maskę przeciwpyłową, ochronniki słuchu, rękawice i fartuch, który zatrzyma drobiny materiału i obrabianego przedmiotu.** Środki ochrony oczu powinny zatrzymywać unoszące się w powietrzu drobiny materiału, które powstają podczas różnych operacji. Maskę przeciwpyłową lub oddechową powinna filtrować cząsteczki, które powstają podczas pracy. Przebywanie przez dłuższy czas w hałasie o dużym natężeniu może spowodować utratę słuchu.
10. **Trzymać osoby postronne w bezpiecznej odległości od miejsca pracy. Każdy, kto wchodzi do obszaru roboczego, musi używać środków ochrony osobistej.** Fragmenty materiału z obrabianego elementu lub pękniętej ściernicy mogą zostać odrzucone na dużą odległość i spowodować obrażenia poza bezpośrednim obszarem roboczym.
11. **Przewód należy trzymać w bezpiecznej odległości od wirującego osprzętu.** W przypadku utraty kontroli przewód może zostać przecięty lub wkręcony, wciągając dłoń lub rękę w wirującą ściernicę.
12. **Otwory wentylacyjne elektronarzędzia należy regularnie czyszczyć.** Wentylator silnika może wciągać do wnętrza obudowy pył. Zbyt duże nagromadzenie metalowych drobin stwarza zagrożenia elektryczne.
13. **Nie używać elektronarzędzia w pobliżu materiałów łatwopalnych. Nie używać elektronarzędzia umieszczonego na łatwopalnej powierzchni, np. na drewnie.** Iskry mogą spowodować zapłon takich materiałów.
14. **Nie używać osprzętu, który wymaga stosowania ciekłego chłodziwa.** Użycie wody lub innych ciekłych chłodziw może spowodować porażenie prądem, także śmiertelne.

### Odrzut i związane z nim ostrzeżenia

Odrzut to gwałtowna reakcja narzędzia na zakleszczenie lub zahaczenie obracającej się ściernicy. Zakleszczenie lub zahaczenie powoduje nagłe zatrzymanie się obracającej się ściernicy, co z kolei prowadzi do niekontrolowanego odrzutu narzędzia tnącego do góry w kierunku operatora.

Przykładowo, jeśli ściernica zahaczy się lub zakleszczy w obrabianym elemencie, jej krawędź w punkcie zakleszczenia może wbić się powierzchni materiału, powodując wypychanie i odskoczenie narzędzia na zewnątrz elementu. W takich warunkach może również dojść do pęknięcia ściernicy.

Odrzut jest wynikiem nieprawidłowego używania elektronarzędzia i/lub niewłaściwych procedur lub warunków jego obsługi. Można tego uniknąć, podejmując odpowiednie środki ostrożności, które podano poniżej.

1. **Przez cały czas należy mocno trzymać elektronarzędzie, ustawiając ciało i ramię w taki sposób, aby przeciwdziałać siłom odrzutu.** Operator może kontrolować siły odrzutu do góry w przypadku stosowania odpowiednich środków ostrożności.
2. **Ciało operatora nie powinno znajdować się w płaszczyźnie obrotu ściernicy.** W przypadku wystąpienia odrzutu narzędzie tnące odskoczy do góry w kierunku operatora.
3. **Nie wolno montować do narzędzia tarcz łańcuchowych, tarcz do cięcia drewna, segmentowych tarcz diamentowych ze szczeliną na obwodzie większą niż 10 mm ani zębatych tarcz tnących.** Tego typu tarcze często powodują odrzut i utratę kontroli.
4. **Nie wolno doprowadzać do zakleszczenia się ściernicy ani wywierać nadmiernego nacisku. Unikać cięć o zbyt dużej głębokości.** Przeciążona ściernica jest bardziej podatna na skręcenie lub zakleszczenie w miejscu cięcia, co stwarza większe prawdopodobieństwo odrzutu lub pęknięcia ściernicy.
5. **W przypadku zakleszczenia się ściernicy lub przzerwania cięcia z jakiegokolwiek powodu, należy wyłączyć elektronarzędzie i trzymać je w bezruchu do momentu całkowitego zatrzymania się ściernicy. Nie wolno wyciągać ściernicy z przecinanego elementu, gdy ściernica znajduje się w ruchu, gdyż może wtedy wystąpić odrzut.** Z badać przyczynę zakleszczenia się ściernicy i podjąć stosowne działania, aby wyeliminować ten problem.
6. **Nie wolno wznawiać cięcia, gdy ściernica znajduje się w przecinanym elemencie. Ściernicę można ponownie włożyć do naciętej szczeliny, dopiero gdy osiągnie pełną prędkość.** Jeśli elektronarzędzie zostanie ponownie uruchomione, gdy ściernica znajduje się w przecinanym elemencie, ściernica może się zakleszczyć, wędrować po materiale lub może wystąpić odrzut.
7. **Duże elementy należy podparć, aby zminimalizować ryzyko zakleszczenia ściernicy i wystąpienia odrzutu.** Duże elementy mają tendencję do uginania się pod własnym ciężarem. Podpory muszą być umieszczone pod przecinanym elementem w pobliżu linii cięcia oraz w pobliżu krawędzi przecinanego elementu, po obu stronach ściernicy.

#### **Dodatkowe ostrzeżenia dotyczące bezpieczeństwa**

1. **Uważać na wylatujące iskry.** Mogą one spowodować obrażenia ciała lub zapłon łatwopalnych materiałów.

2. **Zabezpieczyć obrabiany materiał. Do mocowania obrabianego elementu użyć zacisków.** Jest to bezpieczniejsze niż przytrzymywanie elementu ręką. Dodatkowo obie ręce są wówczas wolne i można nimi obsługiwać narzędzie.
3. **Ściernicę należy dokładnie zamocować.**
4. **Należy uważać, aby nie uszkodzić wrzeciona, kołnierzy (szczególnie powierzchni mocujących) ani śruby, ponieważ może to spowodować pęknięcie tarczy.**
5. **Nie zdejmować osłon i utrzymywać je w dobrym stanie technicznym.**
6. **Trzymać pewnie uchwyt urządzenia.**
7. **Trzymać ręce z dala od części obrotowych.**
8. **Przed włączeniem przełącznika należy się upewnić, że ściernica nie dotyka obrabianego elementu.**
9. **Każdorazowo przed użyciem zwracać uwagę na wibracje i nadmierne drgania, które mogą wskazywać na nieprawidłowe zamocowanie lub niedokładne wyważenie ściernicy.**
10. **Usunąć materiały i gruz z miejsca, które może się zapalić od iskry. Upewnić się, że na linii isker nie znajdują się inne materiały lub osoby. W pobliżu miejsca pracy powinna znajdować się odpowiednia sprawną gaśnica.**
11. **Jeżeli podczas pracy ściernica nagle zatrzymuje się, dochodzą z niej nietypowe odgłosy lub zaczyna drgać, należy natychmiast wyłączyć narzędzie.**
12. **Przed wyjęciem przecinanego elementu, jego zablokowaniem, użyciem zacisku, zmianą pozycji roboczej, kąta lub samej ściernicy należy wyłączyć narzędzie i poczekać, aż ściernica całkowicie się zatrzyma.**
13. **Nie dotykać obrabianego elementu od razu po zakończeniu danej operacji; jest on bardzo gorący i może spowodować oparzenie skóry.**
14. **Przechowywać ściernice w suchym miejscu.**

## **ZACHOWAĆ NINIEJSZĄ INSTRUKCJĘ.**

## **INSTALACJA**

**⚠ OSTRZEŻENIE:** Podczas cięcia elementu przy użyciu tego narzędzia powstają iskry. Nie należy instalować tego narzędzia w miejscu, w którym iskry mogą spowodować zapłon materiałów łatwopalnych i/lub wybuchowych. Przed przystąpieniem do pracy należy upewnić się, że w pobliżu narzędzia nie znajdują się takie materiały.

## **Mocowanie podstawy**

Narzędzie należy przykręcić dwiema śrubami do poziomej i stabilnej powierzchni, wykorzystując otwory w jego podstawie. W ten sposób można uniknąć przewrócenia się narzędzia i ewentualnych obrażeń ciała.

► **Rys.1:** 1. Otwory na śruby 2. Podstawa

## OPIS DZIAŁANIA

**▲PRZESTROGA:** Przed rozpoczęciem regulacji lub sprawdzeniem działania narzędzia należy upewnić się, że jest ono wyłączone i nie podłączone do sieci.

### Blokowanie/odblokowywanie głowicy narzędzia

Głowicę narzędzia można zablokować. Głowicę narzędzia należy zablokować zawsze, gdy narzędzie nie jest używane lub podczas jego przenoszenia.

#### Model LW1400

Aby odblokować, należy nacisnąć lekko głowicę narzędzia i wcisnąć kolek blokujący. Aby zablokować, należy ustawić z powrotem kolek blokujący, przytrzymując dociśniętą w dół głowicę narzędzia.

► **Rys.2:** 1. Kolek blokujący

#### Model LW1401

Odczepić łańcuch blokujący z zaczepu. Gdy narzędzie nie jest używane, należy zawsze zaczepić łańcuch blokujący na zaczepie.

► **Rys.3:** 1. Zaczep 2. Łańcuch blokujący

### Działanie przełącznika

**▲OSTRZEŻENIE:** Przed podłączeniem narzędzia do zasilania należy zawsze sprawdzić, czy spust przełącznika działa prawidłowo oraz czy wraca do położenia wyłączenia po zwolnieniu.

► **Rys.4:** 1. Przycisk blokady / przycisk blokady włączenia 2. Spust przełącznika

#### Narzędzia z przyciskiem blokady

W celu uruchomienia narzędzia wystarczy pociągnąć spust przełącznika. W celu zatrzymania wystarczy zwolnić spust przełącznika. Aby włączyć tryb pracy ciągłej, należy pociągnąć spust przełącznika, wcisnąć przycisk blokady, a następnie zwolnić spust przełącznika. Aby zatrzymać narzędzie po wybraniu trybu pracy ciągłej, należy pociągnąć spust do końca i następnie zwolnić go.

**▲PRZESTROGA:** W celu ułatwienia obsługi i dla wygody operatora podczas długotrwałej pracy z użyciem narzędzia przełącznik można zablokować w pozycji włączonej. Podczas pracy z przełącznikiem zablokowanym w pozycji włączonej należy zachować ostrożność i pewnie trzymać narzędzie.

#### Narzędzia z przyciskiem blokady włączenia

Aby uniknąć przypadkowego pociągnięcia spustu przełącznika, urządzenie jest wyposażone w przycisk blokady włączenia. Aby uruchomić narzędzie, należy nacisnąć przycisk blokady włączenia i pociągnąć spust przełącznika. W celu zatrzymania wystarczy zwolnić spust przełącznika.

**▲OSTRZEŻENIE:** NIE WOLNO pomijać ani blokować działania przycisku blokady poprzez zaklejenie go taśmą ani w inny sposób. Wylącznik z pominiętym lub zablokowanym przyciskiem blokady może spowodować przypadkowe uruchomienie narzędzia i poważne obrażenia ciała.

**▲OSTRZEŻENIE:** NIE WOLNO używać narzędzia, jeśli można je uruchomić tylko za pomocą spustu przełącznika bez uprzedniego wciśnięcia przycisku blokady. Niesprawny, wymagający naprawy przełącznik może spowodować przypadkowe uruchomienie urządzenia i poważne obrażenia ciała. PRZED dalszym użytkowaniem narzędzia należy przekazać je do punktu serwisowego narzędzi Makita w celu naprawy.

**UWAGA:** Nie ciągnąć na siłę spustu przełącznika bez wcześniejszego wciśnięcia przycisku blokady. Można w ten sposób połamać przełącznik.

### Odstęp pomiędzy zaciskiem a płytką prowadzącą

**▲PRZESTROGA:** Po wyregulowaniu odstępu pomiędzy zaciskiem a płytką prowadzącą należy upewnić się, że płytka prowadząca jest prawidłowo zamocowana. Nieprawidłowe zamocowanie może stać się przyczyną obrażeń ciała.

Dostępne są następujące zakresy ustawień zacisku:

- 0 - 170 mm (ustawienie oryginalne)
- 35 - 205 mm
- 70 - 240 mm

Jeśli podczas pracy wymagany jest inny zakres ustawień, można go zmienić, postępując zgodnie z opisaną poniżej procedurą.

#### Model LW1400

Poluzować śrubę na płytce prowadzącej. Przesunąć płytkę prowadzącą do odpowiedniego położenia, a następnie dokręcić śrubę.

► **Rys.5:** 1. Śruba 2. Płytkę prowadzącą

#### Model LW1401

Odkręcić dwie śruby sześciokątne za pomocą klucza nasadowego. Przesunąć płytkę prowadzącą do odpowiedniego położenia i przymocować ją z powrotem śrubami sześciokątnymi.

► **Rys.6:** 1. Płytkę prowadzącą 2. Śruby sześciokątne

### Regulacja kąta cięcia

**▲PRZESTROGA:** Po wyregulowaniu kąta płytki prowadzącej należy upewnić się, że płytka prowadząca jest prawidłowo zamocowana. Nieprawidłowe zamocowanie może stać się przyczyną obrażeń ciała.

**▲PRZESTROGA:** Nie używać narzędzia, jeśli obrabiany materiał nie jest zablokowany w zaciśku pod odpowiednim kątem.

## Model LW1400

Obrócić dźwignię w lewo. Ustawić płytkę prowadzącą pod odpowiednim kątem, a następnie całkowicie dokręć dźwignię.

► **Rys.7:** 1. Płytką prowadzącą 2. Dźwignia

## Model LW1401

**UWAGA:** Podczas cięcia pod kątem w poziomic należy zawsze ustawić płytkę prowadzącą w pozycji 0 - 170 mm. Wybranie pozycji 35 - 205 mm lub 70 - 240 mm uniemożliwia ruch płytki oporowej, co powoduje nieprawidłowe cięcie.

Poluzować dwie śruby sześciokątne za pomocą klucza nasadowego. Ustawić płytkę prowadzącą pod odpowiednim kątem i dokręć z powrotem śruby sześciokątne. Uważać, aby nie zmienić ustawionego kąta podczas dokręcania śrub.

► **Rys.8:** 1. Płytką prowadzącą 2. Śruby sześciokątne

**WSKAZÓWKA:** Skala na płytce prowadzącej stanowi wyłącznie oznaczenie zgrubne. W celu dokładnego ustawienia kąta należy użyć kątomierza lub ekerki. Trzymać uchwyt przyciśnięty w dół, tak aby ściernica znajdowała się w podstawie. Jednocześnie należy wyregulować kąt pomiędzy płytką prowadzącą a ściernicą tnącą za pomocą kątomierza lub ekerki.

## Regulacja osłony chroniącej przed iskrami

*Tylko dla modelu LW1401 (w zależności od kraju)*

► **Rys.9:** 1. Śruba 2. Osłona chroniąca przed iskrami

Osłona chroniąca przed iskrami jest fabrycznie zamontowana tak, że jej dolna krawędź styka się z podstawą. Podczas używania narzędzia z osłoną znajdującą się w tej pozycji duża ilość isker wylatuje na zewnątrz. Odkręcić śrubę i ustawić osłonę w takiej pozycji, aby maksymalnie chroniła przed iskrami.

## Płytką oporową

*Tylko dla modelu LW1401 (w zależności od kraju)*

► **Rys.10:** 1. Płytką oporową

Płytką oporową zapobiega zetknięciu się ściernicy tnącej z białem roboczym lub podłogą. Po założeniu nowej ściernicy tnącej należy ustawić płytkę oporową w położeniu (A). Gdy ściernica tnąca zużyje się w takim stopniu, że dolna część obrabianego elementu pozostanie nieprzecięta, należy ustawić płytkę oporową w położeniu (B), aby zwiększyć zakres cięcia dla zużytej ściernicy.

## MONTAŻ

**PRZESTROGA:** Przed wykonywaniem jakichkolwiek prac przy narzędziu należy upewnić się, że jest ono wyłączone i odłączone od zasilania.

## Otwieranie osłony bezpieczeństwa ze środkową pokrywką

### W zależności od kraju

W przypadku narzędzi wyposażonych w osłonę bezpieczeństwa ze środkową pokrywką, należy poluzować śrubę zaciskową, a następnie podnieść osłonę.

► **Rys.11:** 1. Śruba zaciskowa

## Otwieranie osłony bezpieczeństwa używanej w krajach europejskich

### W zależności od kraju

W przypadku narzędzi wyposażonych w osłonę bezpieczeństwa używaną w krajach europejskich, należy poluzować śrubę zaciskową, a następnie otworzyć osłonę, jak pokazano na rysunku.

► **Rys.12:** 1. Śruba zaciskowa

► **Rys.13**

► **Rys.14**

## Zdejmowanie i zakładanie ściernicy tnącej

**PRZESTROGA:** Pamiętaj o solidnym dokręceniu zacisku beznarzędziowego lub śruby sześciokątnej. Niedostateczne dokręcenie może stać się przyczyną poważnych obrażeń ciała. Do prawidłowego dokręcenia śruby sześciokątnej należy użyć dostarczonego z narzędziem klucza nasadowego.

**PRZESTROGA:** Używać tylko odpowiednich kołnierzy wewnętrznych i zewnętrznych dostarczonych wraz z narzędziem.

**PRZESTROGA:** Po wymianie ściernicy zawsze pamiętać o opuszczeniu osłony bezpieczeństwa.

**PRZESTROGA:** Podczas wykonywania czynności wymagających kontaktu ze ściernicami należy nosić rękawice.

► **Rys.15:** 1. Kołnierz wewnętrzny 2. Pierścień 3. Pierścień O-ring 4. Ściernica tnąca 5. Kołnierz zewnętrzny 6. Zacisk beznarzędziowy / śruba sześciokątna

## Model LW1400

Podnieść osłonę bezpieczeństwa. Obrócić zacisk beznarzędziowy w lewo, przytrzymując wciśniętą blokadę wałka. Następnie zdjąć zacisk beznarzędziowy, kołnierz zewnętrzny i ściernicę tnącą. Podczas zdejmowania ściernicy tnącej nie zdejmować kołnierza wewnętrznego ani pierścienia i pierścienia O-ring.

► **Rys.16:** 1. Blokada wałka 2. Zacisk beznarzędziowy

Aby założyć ściernicę tnącą, należy wykonać czynności procedury zdejmowania w odwrotnej kolejności. Dopasować otwór w ściernicy tnącej do pierścienia i założyć z powrotem osłonę bezpieczeństwa.

## Model LW1401

Podnieść osłonę bezpieczeństwa. Odkręcić śrubę sześciokątną w lewo przy użyciu klucza nasadowego, przy trzymając wciśniętą blokadę wałka. Następnie wyjąć śrubę sześciokątną i ściągnąć kołnierz zewnętrzny oraz ściernicę.

► **Rys.17:** 1. Blokada wałka 2. Śruba imbusowa

Aby założyć ściernicę, należy wykonać czynności procedury zdejmowania w odwrotnej kolejności. Dopasować otwór w ściernicy tnącej do pierścienia i założyć z powrotem osłonę bezpieczeństwa.

## OBSŁUGA

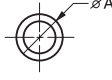
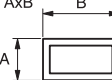
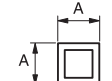

**▲PRZESTROGA:** Odpowiedni nacisk na uchwyt oraz maksymalną wydajność cięcia można ocenić na podstawie ilości isker powstających podczas cięcia. Nie przyspieszać cięcia poprzez wywieranie nadmiernego nacisku na uchwyt. Może to prowadzić do mniejszej wydajności cięcia, przedwczesnego zużycia ściernicy oraz uszkodzenia narzędzia, ściernicy tnącej lub obrabianego elementu.

Trzymać pewnie uchwyt urządzenia. Włączyć urządzenie i zaczekać, aż ściernica osiągnie pełną prędkość, a następnie ostrożnie opuścić ją w celu cięcia. Gdy ściernica zetknie się z przecinanym elementem, stopniowo obniżyć uchwyt, aby wykonać cięcie. Po zakończeniu cięcia wyłączyć narzędzie, **poczekać, aż ściernica całkowicie się zatrzyma** i dopiero wówczas podnieść uchwyt całkowicie do góry.

## Zakres cięcia

Maksymalny zakres cięcia różni się w zależności od kąta cięcia i kształtu elementu.

**Maksymalny zakres cięcia w przypadku nowej ściernicy tnącej**

Kąt cięcia / kształt obrabianego elementu	90°	45°
	127 mm	127 mm
	115 x 130 mm 102 x 194 mm 70 x 233 mm	115 x 103 mm
	119 x 119 mm	106 x 106 mm
	137 x 137 x 10 mm	100 x 100 x 10 mm

## Mocowanie obrabianych elementów

**▲PRZESTROGA:** Podczas mocowania obrabianego elementu należy zawsze opuszczać zacisk gwintu na gwint wałka. W przeciwnym razie zamocowanie obrabianego elementu może być zbyt słabe. Mogłoby to spowodować wyrzucenie obrabianego elementu lub niebezpieczne uszkodzenie ściernicy.

Przy podniesionym zacisku gwintu można szybko wsunąć lub wysunąć płytkę zacisku. Aby chwycić obrabiany element, należy popchnąć uchwyt, tak aby płytka zacisku stykała się z elementem, a następnie opuścić zacisk gwintu. Obrócić uchwyt w prawo, aż obrabiany element zostanie pewnie zamocowany.

► **Rys.18:** 1. Uchwyt 2. Zacisk gwintu 3. Płytkę zacisku

Gdy ściernica tnąca ulegnie znacznemu zużyciu, należy umieścić za przecinanym elementem klocek dystansowy, jak pokazano na rysunku. Zużyta ściernica można używać w efektywniejszy sposób, wykorzystując do cięcia elementu środkowego punktu na obwodzie ściernicy. Klocek dystansowy powinien być wykonany z twardego i niepalnego materiału.

► **Rys.19:** 1. Klocek dystansowy

Podczas cięcia pod kątem elementów o szerokości powyżej 85 mm należy przymocować do płytki prowadzącej prosty kawałek drewna (dystansowy) o długości powyżej 190 mm i szerokości 45 mm, jak pokazano na rysunku. Klocek dystansowy należy przymocować do płytki prowadzącej śrubami, wykorzystując otwory w płycie. Upewnić się, że ściernica tnąca nie styka się z klockiem dystansowym, gdy głowica narzędzia jest dociśnięta w dół.

► **Rys.20:** 1. Płytkę prowadzącą 2. Klocek dystansowy (długość ponad 190 mm x szerokość 45 mm) 3. Element obrabiany (szerokość ponad 85 mm) 4. Płytkę zacisku

► **Rys.21**

Gdy ściernica tnąca ulegnie zużyciu, należy podnieść pozycję cięcia, wsuwając klocek dystansowy o nieco mniejszej szerokości od elementu przecinanego, jak pokazano na rysunku. Pozwala to lepiej wykorzystać całą ściernicę tnącą.

► **Rys.22:** 1. Płytkę zacisku 2. Średnica obrabianego elementu 3. Płytkę prowadzącą 4. Szerokość klocka dystansowego

Długie elementy muszą być podpierane z obu stron przez klocki, tak aby były wyrównane w poziomie z górną powierzchnią podstawy. Klocki powinny być wykonane z niepalnego materiału.

► **Rys.23:** 1. Klocek

## Przenoszenie narzędzia

Złożyć i zablokować głowicę narzędzia. Trzymać za uchwyt w czasie przenoszenia.

► **Rys.24**

# KONSERWACJA

**⚠ PRZESTROGA:** Przed przystąpieniem do przeglądu narzędzia lub jego konserwacji upewnić się, że jest ono wyłączone i odłączone od zasilania.

**UWAGA:** Nie stosować benzyny, rozpuszczalników, alkoholu itp. środków. Mogą one powodować odbarwienia, odkształcenia lub pęknięcia.

## Wymiana szczotek węglowych

► **Rys.25:** 1. Oznaczenie limitu

Systematycznie sprawdzać szczotki węglowe. Wymieniać je, gdy ich zużycie sięga oznaczenia limitu. Szczotki węglowe powinny być czyste, aby można je było swobodnie wsunąć do opraw. Należy wymieniać obydwie szczotki jednocześnie. Stosować wyłącznie identyczne szczotki węglowe.

1. Za pomocą śrubokręta wyjść zaślepki opraw szczotek węglowych.
2. Wyjąć zużyte szczotki węglowe, włożyć nowe i zabezpieczyć zaślepkami opraw szczotek.

► **Rys.26:** 1. Zaślepka oprawy szczotki

# AKCESORIA OPCJONALNE

**⚠ PRZESTROGA:** Zaleca się stosowanie wymienionych akcesoriów i przystawek razem z narzędziem Makita opisanym w niniejszej instrukcji.

Stosowanie innych akcesoriów lub przystawek może być przyczyną obrażeń ciała. Akcesoria lub przystawki należy wykorzystywać tylko zgodnie z ich przeznaczeniem.

W razie potrzeby wszelkiej pomocy i szczegółowych informacji na temat niniejszych akcesoriów udziela Państwu lokalne punkty serwisowe Makita.

- Ściernice tnące
- Klucz nasadowy (tylko dla modelu LW1401)

**WSKAZÓWKA:** Niektóre pozycje znajdujące się na liście mogą być dołączone do pakietu narzędziowego jako akcesoria standardowe. Mogą to być różne pozycje, w zależności od kraju.



# RÉSZLETES LEÍRÁS

Típus:		LW1400	LW1401
Tárcsa átmérője		355 mm	
Max. tárcsavastagság		3 mm	
Furat átmérője		25,4 mm	
Üresjárat fordulatszám		3 800 min <sup>-1</sup>	
Méretek (H x SZ x M)	Európai típusú biztonsági védőlemezzel	530 mm x 295 mm x 640 mm	500 mm x 295 mm x 640 mm
	Nem európai típusú biztonsági védőlemezzel	530 mm x 290 mm x 640 mm	500 mm x 290 mm x 620 mm
Nettó tömeg	Európai típusú biztonsági védőlemezzel és alsó fedéllel	18,7 kg	18,3 kg
Biztonsági osztály		II	

- Folyamatos kutató- és fejlesztőprogramunk eredményeként az itt felsorolt tulajdonságok figyelmeztetés nélkül változhatnak.
- A tulajdonságok országról országra különbözhetnek.
- Súly, az EPTA 01/2003 eljárás szerint
- Az alak és a tömeg specifikációjuként változik, amely országoként eltérő.

## Rendeltetés

A szerszám vastartalmú anyagok vágására használható, a megfelelő szemcsés darabolótárcsával. Tartsa be az országában érvényes, a porral kapcsolatos és a munkaterület egészségügyi és biztonsági követelményeire vonatkozó törvényeket és előírásokat.

## Tápfeszültség

A szerszámot kizárólag olyan egyfázisú, váltóáramú hálózatra szabad kötni, amelynek feszültsége megegyezik az adattábláján szereplő feszültséggel. A szerszám kettős szigetelésű, ezért földelővezeték nélküli aljzatról is működtethető.

## A 220 V és 250 V közötti feszültséggel rendelkező, nyilvános kiefeszültségű áramelosztó rendszerekben való használatra.

Az elektromos berendezések bekapcsolásakor feszültségingadozások léphetnek fel. Ezen készülék üzemeltetése nem megfelelő áramellátási körülmények között kedvezőtlen hatással lehet más berendezések működésére. A 0,18 Ohmmal egyenlő vagy annál kisebb értékű hálózati impedancia esetén feltételezhetően nem lesznek negatív jelenségek. Az ehhez az eszközhöz használt hálózati csatlakozót biztosítékkal vagy lassú kioldási jellemzőkkel rendelkező megszakítóval kell védeni.

## Zaj

A tipikus A-súlyozású zajszint, az EN62841 szerint meghatározva:

### LW1400 típus

Hangnyomásszint ( $L_{pA}$ ): 102 dB(A)  
 Hangteljesítményszint ( $L_{WA}$ ): 110 dB (A)  
 Bizonytalanság (K): 3 dB(A)

### LW1401 típus

Hangnyomásszint ( $L_{pA}$ ): 102 dB(A)  
 Hangteljesítményszint ( $L_{WA}$ ): 110 dB (A)  
 Bizonytalanság (K): 3 dB(A)

**▲ FIGYELMEZTETÉS: Viseljen fülvédőt!**

## Vibráció

A vibráció teljes értéke (háromtengelyű vektorösszeg) az EN62841 szerint meghatározva:

### LW1400 típus

Rezgés kibocsátás ( $a_h$ ): 2,5 m/s<sup>2</sup> vagy kisebb  
 Bizonytalanság (K): 1,5 m/s<sup>2</sup>

### LW1401 típus

Rezgés kibocsátás ( $a_h$ ): 2,5 m/s<sup>2</sup> vagy kisebb  
 Bizonytalanság (K): 1,5 m/s<sup>2</sup>

**MEGJEGYZÉS:** A rezgés kibocsátás értéke a szabványos vizsgálati eljárásnak megfelelően lett mérve, és segítségével az elektromos kéziszerszámok összehasonlíthatók egymással.

**MEGJEGYZÉS:** A rezgés kibocsátás értékének segítségével előzetesen megbecsülhető a rezgésnek való kitettség mértéke.

**▲ FIGYELMEZTETÉS:** A szerszám rezgés kibocsátása egy adott alkalmazásnál eltérhet a megadott értéktől a használat módjától függően.

**▲ FIGYELMEZTETÉS:** Határozza meg a kezelő védelmét szolgáló munkavédelmi lépéseket, melyek az adott munkafeladatok mellett vibrációs hatás becsült mértékén alapulnak (figyelembe véve a munkaciklus elemeit, mint például a gép leállításának és üresjáratának mennyiségét az elindítások száma mellett).

## EK Megfelelőségi nyilatkozat

### Csak európai országokra vonatkozóan

Az EK-megfelelőségi nyilatkozat az útmutató „A” mellékletében található.

## A szerszámgépekre vonatkozó általános biztonsági figyelmeztetések

**▲ FIGYELMEZTETÉS:** Olvassa el a szerszámgéphez mellékelt összes biztonsági figyelmeztetést, utasítást, illusztrációt és a műszaki adatokat. A következőkben leírt utasítások figyelmen kívül hagyása elektromos áramütést, tüzet és/vagy súlyos sérülést eredményezhet.

## Őrizzen meg minden figyelmeztetést és utasítást a későbbi tájékozódás érdekében.

A figyelmeztetéseken szereplő "szerszámgép" kifejezés az Ön hálózatról (vezetékes) vagy akkumulátorról (vezeték nélküli) működtetett szerszámgépére vonatkozik.

## Darabológép biztonsági figyelmeztetési

1. **Ön és a közelben állók a forgó tárcsa síkján kívül helyezkedjenek el.** A védőburkolat megvédi a kezelőt a tárcsa letörő részeitől, és megakadályozza, hogy véletlenül hozzáérjen a tárcsához.
2. **Kizárólag ragasztott, megerősített darabolótárcsát használjon a szerszámgéphez.** Az, hogy egy kiegészítő felszerelhető a szerszámgép-re, még nem jelenti azt, hogy biztonságosan is használható.
3. **A kiegészítő névleges fordulatszáma legyen legalább akkora, mint a szerszámgépben megadott legmagasabb fordulatszámérték.** A névleges fordulatszámuknál magasabb fordulatszámon működtetett kiegészítők eltörhetnek, darabjaik pedig szétrepülhetnek.
4. **A tárcsákat csak a javasolt alkalmazási területeken szabad használni.** Például ne csiszoljon a darabolótárcsa oldalával. A daraboló kőszűrőtárcsáknak kizárólag az élével lehet csiszolni, mivel oldalirányú erők hatására ezek a tárcsák összetörhetnek.
5. **Mindig sérülésmentes, az adott tárcsához megfelelő méretű és alakú illesztőperemet használjon.** A megfelelő illesztőperemek támasztást biztosítanak a korongnak, ezzel csökkentve a törés valószínűségét.
6. **A kiegészítő külső átmérőjének és vastagságának az szerszámgép kapacitási határértékein belül kell lennie.** A nem megfelelő méretű kiegészítőket nem lehet megfelelő védelemmel ellátni, illetve irányítani.
7. **A tárcsák és illesztőperemek tengelyfuratának pontosan kell illeszkednie a szerszámgép orsójára.** Azon tárcsák és illesztőperemek, melyek tengelynyílása nem illeszkedik a szerszámgép rögzítőelemére, a szerszámgép egyenlősúlyvesztését, túlzott rezgését és a szerszámgép feletti ellenőrzés elvesztését okozhatják.
8. **Soha ne használjon sérült tárcsát.** Használat előtt ellenőrizze, hogy a tárcsa nincs-e kitérőredezve, vagy nem repedt-e meg. Ha leejti a szerszámgépet vagy a tárcsát, vizsgálja meg, hogy nem történt-e sérülés, és ha szükséges, helyezzen fel egy sértetlen tárcsát. A tárcsa megvizsgálása és felszerelése után Ön és a közelben állók egyaránt álljanak ki a forgó tárcsa síkjából, majd működtesse a szerszámgépet terhelés nélküli maximális fordulatszámom egy percen át. A sérült tárcsák a tesztidőtartam alatt normál esetben eltörnek.
9. **Viseljen személyi védőfelszereléseket.** A munka jellegétől függően használjon arcvédőt, szemvédőt vagy védőszemüveget. Ha szükséges, vegyen fel pormaszkot, fülvédőt, kesztyűt és olyan kötényt, amely képes megvédeni Önt a csiszolóanyagból vagy a munkadarabból kirepülő kisméretű daraboktól. A szemvédőnek képesnek kell lennie megállítani a különböző műveletek során keletkező repülő törmelékdarabokat. A pormaszknak vagy a légzőkészüléknek képesnek kell lennie a művelet során keletkező részecskék kiszűrésére. A hosszabb ideig tartó nagy intenzitású zaj halláskárosodást okozhat.
10. **A környezetében tartózkodók álljanak biztonságos távolságra a munkaterülettől. A munkaterületre belépő minden személy köteles személyi védőfelszerelést viselni.** A munkadarabot vagy a széttört tárcsából származó darabok szétrepülhetnek, és sérüléseket okozhatnak a szerszám közvetlen üzemeltetési területén kívül is.
11. **A tápvezetéket úgy vezesse el, hogy ne legyen a forgó kiegészítő közelében.** Ha elveszti az irányítást a szerszámgép felett, a tápkábel elszakadhat vagy beakadhat, és beránthatja a kezét vagy a karját a forgó szerszámba.
12. **Rendszeresen tisztítsa meg a szerszámgép szellőzőnyílásait.** A motor ventilátora beszívhatja a port a készülék belsejébe, a fémport túlzott felhalmozódása pedig elektromos veszélyt okozhat.
13. **Ne működtesse a szerszámgépet gyúlékony anyagok közelében. Ne működtesse a szerszámgépet úgy, hogy éghető felületre, például fára helyezi azt.** A szikrák felgyűjthatják ezeket az anyagokat.
14. **Ne használjon olyan kiegészítőket, amelyekhez folyékony hűtőközeg szükséges.** Víz vagy más folyadék használata rövidzárlatot vagy áramütést okozhat.

### Visszarúgás és az ezzel kapcsolatos figyelmeztetések

A visszarúgás a szerszám hirtelen reakciója a beszorult vagy elakadt forgótárcsára. A becsipődés vagy beakadás a forgó tárcsa hirtelen megállását okozza, melynek következtében az irányíthatatlan vágóegység megindul felfelé, a kezelő felé.



Ha például egy csiszolókorong beszorul vagy beakad a munkadarabba, a becsípődési pontban megakadt tárcsa kiugorhat vagy kivetődhet a munkadarabból. A csiszolókorongok ilyen körülmények között akár el is törhetnek.

A visszarúgás a szerszám gép helytelen használatának és/vagy a nem megfelelő működési eljárásoknak és körülményeknek a következménye, és az alábbi óvintézkedések betartásával megelőzhető.

1. **Fogja stabilan, két kézzel a szerszám gépet, és helyezze el úgy a karjait, hogy ellen tudjon állni a visszarúgáskor fellépő erőknél.** A kezelő uralma alatt tarthatja a visszarúgáskor fellépő felfelé irányuló erőt, ha megteszi a megfelelő óvintézkedéseket.
2. **Testével ne helyezkedjen a forgó tárcsa vonalába.** A visszarúgás következtében a vágóegység megindulhat felfelé, a kezelő felé.
3. **Ne szereljen fel fűrészláncot, fafaragó fűrészlapot, 10 mm-nél nagyobb hézagú gyémánt-tárcsát illetve fogazott fűrész-tárcsát.** Ezek a tárcsák gyakran visszarúgást és az uralom elvesztését okozzák.
4. **Ne „akassza meg”, és ne nyomja túlzott erővel a tárcsát. Ne próbáljon túl mély vágást végezni.** A tárcsa túlzott igénybevétele növeli a terhelést, a tárcsa kifordulhat, vagy szorulhat a vágásban, illetve nő a visszarúgás vagy a tárcsa eltörésének valószínűsége.
5. **Ha a tárcsa szorul, vagy ha bármilyen okból abbahagyja a vágást, kapcsolja ki a szerszám gépet, és tartsa mozdulatlanul mindaddig, amíg a tárcsa teljesen leáll. Soha ne próbálja kivenni a vágatból a tárcsát, miközben az mozgásban van, mivel visszarúgás következhet be.** Derítse fel, és küszöbölje ki a tárcsa szorulásának okát.
6. **Amikor újakezdi a vágást a munkadarabon, a tárcsát ne a munkadarabba helyezve indítsa el. Hagyja, hogy a tárcsa elérje a teljes sebességét, majd óvatosan helyezze vissza a vágatba.** Ha a szerszám gépet a munkadarabon indítja újra, a tárcsa szorulhat, kiléphet vagy visszarúghat.
7. **A nagyméretű munkadarabokat támassza alá, hogy elkerülje a tárcsa beszorulását és a visszarúgást.** A nagyméretű munkadarabok meghajolhatnak saját súlyuk alatt. Helyezzen támasztékot a munkadarab alá, a vágás vonalának közelében, valamint a munkadarab szélétől nem messze, a tárcsa két oldalára.

#### **További biztonsági figyelmeztetések**

1. **Figyeljen oda a repülő szikrákra a használat során.** Ezek sérüléseket okozhatnak, vagy meggyújthatják a gyúlékony anyagokat.
2. **Dolgozzon biztonságosan. Használjon szorítót vagy satut, ha kézzel dolgozik.** Ez biztonságosabb, mint kézzel tartani a munkadarabot, és így mindkét kezével foghatja a szerszámot.
3. **Gondosan rögzítse a tárcsát.**
4. **Ügyeljen rá, hogy ne rongálja meg az orsót, az illesztőperemet (különösen annak szerelési felületét) vagy a csavart, mert a tárcsa eltörhet.**
5. **Tartsa a fűrészlápvédőket a helyükön, működésképes állapotban.**

6. **Szilárdan tartsa a fogantyút.**
7. **Ne nyúljon a forgó részekhez.**
8. **Ellenőrizze, hogy a tárcsa nem ér a munkadarabhoz, mielőtt bekapcsolja a szerszámot.**
9. **Használat előtt mindig figyelje meg, hogy nem lát-e rezgéseket vagy imbolygást, mivel ezek a jelenségek rosszul felszerelt vagy rosszul kiegyensúlyozott tárcsára utalnak.**
10. **Távolítsa el a területről azokat az anyagokat vagy hulladékokat, amelyek a szikráktól meggyulladhatnak. Ügyeljen rá, hogy mások ne legyenek a szikrák útvonalaiban. Tartson egy megfelelő és feltöltött tűzoltókészüléket a közelben.**
11. **Ha a használat közben a tárcsa megáll, furcsa zajt bocsát ki, vagy rezegni kezd, azonnal kapcsolja ki a szerszámot.**
12. **Mindig kapcsolja ki a szerszámot és várja meg, amíg a tárcsa teljesen megáll, amikor eltávolítja vagy rögzíti a munkadarabot, beállítja a befogót, megváltoztatja a tárcsa pozícióját, szögöt vagy kicseréli a tárcsát.**
13. **Ne érjen a munkadarabhoz közvetlenül a munkavégzést követően; rendkívül forró, és megégetheti a bőrt.**
14. **A tárcsákat mindig száraz helyen tárolja.**

## **ŐRIZZE MEG EZEKET AZ UTASÍTÁSOKAT.**

### **TELEPÍTÉS**

**▲ FIGYELMEZTETÉS:** Munkadarabok vágásakor a szerszám szikrák képződését okozza. Ne szerelje fel a szerszámot olyan helyre, ahol a szerszám által okozott szikrák meggyújthatnak gyúlékony és/vagy robbanásveszélyes anyagokat. A munkavégzés előtt bizonyosodjon meg arról is, hogy nincsenek a szerszám közelében ilyen anyagok.

### **A talplemez rögzítése**

Ezt a szerszámot két csavarral kell egy vízszintes és stabil felülethez rögzíteni a szerszám talplemezén található furatok segítségével. Ezzel elkerülhető annak felborulása és az esetleges személyi sérülés.

► **Ábra1:** 1. Csavarfuratok 2. Talplemez

# A MŰKÖDÉS LEÍRÁSA

**⚠ VIGYÁZAT:** Mielőtt ellenőrzi vagy beállítja, mindig bizonyosodjon meg róla, hogy a szerszámot kikapcsolta és a hálózatról lecsatlakoztatta.

## A szerszám fejének reteszelése/kioldása

A szerszám feje reteszelt. Ha a szerszám használaton kívül van, vagy szállítás közben mindig reteszelve a fejet.

### LW1400 típus esetén

Kioldáshoz enyhén nyomja le a szerszám fejét, és nyomja meg a rögzítőcsapot. Reteszeléshez a szerszám fejének lenyomva tartása mellett húzza vissza a rögzítőcsapot.

► **Ábra2:** 1. Rögzítőcsap

### LW1401 típus esetén

Akassza le a rögzítőláncot az akasztóról. Amikor a szerszám használaton kívül van, mindig akassza be a rögzítőláncot az akasztóba.

► **Ábra3:** 1. Akasztó 2. Rögzítőlánc

## A kapcsoló használata

**⚠ FIGYELMEZTETÉS:** A szerszám hálózatra csatlakoztatása előtt mindig ellenőrizze hogy a kapcsológomb megfelelően mozog és visszatér a kikapcsolt (OFF) állapotba elengedése után.

► **Ábra4:** 1. Reteszológomb/Kireteszelógomb  
2. Kapcsológomb

### Reteszológommbal felszerelt szerszám

A szerszám bekapcsolásához egyszerűen húzza meg a kapcsológombot. A megállításához engedje el a kapcsológombot. A folyamatos működéshez húzza meg a kapcsológombot, nyomja be a reteszológombot, majd engedje el a kapcsológombot. A szerszám kikapcsolásához reteszelt állásból teljesen húzza be a kapcsológombot, majd engedje fel.

**⚠ VIGYÁZAT:** Huzamosabb használatkor a kapcsoló a kezelő munkájának megkönnyítése érdekében a bekapcsolt (ON) pozícióban rögzíthető. Legyen elővigyázatos a szerszám bekapcsolt (ON) pozícióba rögzítésekor, és szilárdan fogja meg a szerszámot.

### Kireteszelógommbal felszerelt szerszám

A kapcsoló véletlen működtetését reteszelő gomb gátolja meg. A szerszám bekapcsolásához nyomja be a reteszológombot és húzza meg a kapcsológombot. A megállításához engedje el a kapcsológombot.

**⚠ FIGYELMEZTETÉS:** NE gátolja a reteszelő kapcsoló üzemszerű működését azzal, hogy lera-gasztja, vagy más módon kitémasztja. Az üzemi-kép-telenné tett kapcsoló a gép szándékolatlan beindulásához vezethet, ami súlyos személyi sérüléssel járhat.

**⚠ FIGYELMEZTETÉS:** SOHA ne használja ezt a szerszámot, ha az akkor is beindul amikor Ön a reteszológomb megnyomása nélkül húzza meg a kapcsológombot. A javításra szoruló kapcsoló a gép szándékolatlan beindulásához vezethet, ami súlyos személyi sérüléssel járhat. A további használat ELŐTT vigye a szerszámot javításra egy MAKITA szervizközpontba.

**MEGJEGYZÉS:** Ne húzza túlzott erővel a kapcsológombot úgy, hogy nem nyomta be a reteszológombot. Ez a kapcsoló törését okozhatja.

## A befogó és a vezetőlemez közötti hézag

**⚠ VIGYÁZAT:** A befogó és a vezetőlemez közötti hézag beállítása után bizonyosodjon meg arról, hogy a vezetőlemezt megfelelően rögzítette. A nem megfelelő rögzítés személyi sérüléshez vezethet.

A befogó következő hézagbeállításai választhatók:

- 0 - 170 mm (eredeti beállítás)
- 35 - 205 mm
- 70 - 240 mm

Ha a munkája más beállítást igényel, a következő eljárással módosíthatja a távolságot vagy hézagot.

### LW1400 típus esetén

Lazítsa meg a csavart a vezetőlemezen. Mozgassa a vezetőlemezt a kívánt helyzetbe, majd húzza meg a csavart.

► **Ábra5:** 1. Csavart 2. Vezetőlemez

### LW1401 típus esetén

A dugókulccsal távolítsa el a két hatlapfejű csavart. Mozgassa a vezetőlemezt a kívánt helyzetbe, majd rögzítse a hatlapfejű csavarokkal.

► **Ábra6:** 1. Vezetőlemez 2. Hatlapfejű csavarok

## A vágási szög beállítása

**⚠ VIGYÁZAT:** A vezetőlemez szögének beállítása után bizonyosodjon meg arról, hogy a vezetőlemezt megfelelően rögzítette. A nem megfelelő rögzítés személyi sérüléshez vezethet.

**⚠ VIGYÁZAT:** Ne használja a szerszámot, ha a munkadarabot nem rögzítette megfelelően sátnban, mert megváltozhat a vágási szög.

### LW1400 típus esetén

Fordítsa el a kart az óramutató járásával ellentétes irányba. Mozgassa a vezetőlemezt a kívánt szögbe, majd húzza meg teljesen a kart.

► **Ábra7:** 1. Vezetőlemez 2. Kart

### LW1401 típus esetén

**MEGJEGYZÉS:** Derékszögű gérvágás végrehajtása esetén a vezetőlemezt mindig 0 - 170 mm helyzetbe állítsa. A 35 - 205 mm vagy 70 - 240 mm helyzet beállítása akadályozza az ütközőlemez mozgását, ami pontatlan vágást eredményez.

Dugókulccsal lazítsa meg a két hatlapfejű csavart. Fordítsa el a vezetőlemezt a kívánt szögbe, majd rögzítse a hatlapfejű csavarokkal. Ügyeljen arra, nehogy elmozdítsa a beállított szöveget a hatlapfejű csavarok meghúzása közben.

► **Ábra8:** 1. Vezetőlemez 2. Hatlapfejű csavarok

**MEGJEGYZÉS:** A vezetőlemezen található skála csak hozzávetőleges jelzésként szolgál. A pontosabb szögbeállítás érdekében használjon szögmérőt vagy háromszögű vonalzót. Tartsa a fogantyút lefelé, úgy hogy a darabolótárcsa a talplemezhez érjen. Egyidejűleg állítsa be a vezetőlemez és a darabolótárcsa közötti szöveget egy szögmérő vagy egy háromszögű vonalzó segítségével.

## A szikrafogó beállítása

Csak LW1401 típus esetén (ország-specifikus)

► **Ábra9:** 1. Csavar 2. Szikrafogó

A szikrafogó gyárilag úgy van felszerelve, hogy az alsó éle érintkezik a talplemezzel. A szerszám ebben a pozícióban való működése sok szikra szétrepülését eredményezheti. Lazítsa meg a csavart és állítsa be a szikrafogót olyan helyzetbe, ahol a szétrepülő szikrák mennyisége minimális.

## Ütközőlemez

Csak LW1401 típus esetén (ország-specifikus)

► **Ábra10:** 1. Ütközőlemez

Az ütközőlemez akadályozza meg a darabolótárcsa érintkezését a munkapaddal vagy a padlóval. Új darabolótárcsa felszerelésekor állítsa az ütközőlemezt az (A) helyzetbe. Amikor a darabolótárcsa már olyan mértékben elkopik, hogy a munkadarab alsó részét már nem vágja át, állítsa az ütközőlemezt a (B) helyzetbe, hogy fokozza a kopott tárcsa vágókapacitását.

## ÖSSZESZERELÉS

**VIGYÁZAT:** Mielőtt bármilyen munkátot végezne rajta, mindig bizonyosodjon meg arról hogy a szerszámot kikapcsolta és a hálózatról lecsatlakoztatta.

## Középső csavaros típusú biztonsági védőlemez kinyitása

*Ország-specifikus*

Középső csavaros típusú biztonsági védőlemezzel szerelt szerszámok esetén először lazítsa meg a szorítócsavart, majd emelje fel a lemezt.

► **Ábra11:** 1. Szorítócsavar

## Európai típusú biztonsági lemez kinyitása

*Ország-specifikus*

Európai típusú biztonsági lemezzel szerelt szerszámok esetén először lazítsa meg a szorítócsavart, majd az ábra szerint nyissa ki a lemezt.

► **Ábra12:** 1. Szorítócsavar

► **Ábra13**

► **Ábra14**

## A darabolótárcsa fel- és leszerelése

**VIGYÁZAT:** Ügyeljen rá, hogy erősen meghúzza a kézi rögzítőcsavart vagy a hatlapfejú csavart. A csavar nem megfelelő mértékű meghúzása súlyos sérüléseket okozhat. A hatlapfejú csavar megfelelő meghúzásához használja a szerszámhoz mellékelt dugókulcsot.

**VIGYÁZAT:** Mindig csak a szerszámhoz mellékelt, megfelelő belső és külső illesztőperemeket használja.

**VIGYÁZAT:** A tárcsa cseréje után mindig engedje le a biztonsági védőlemezt.

**VIGYÁZAT:** A tárcsák kezeléséhez viseljen kesztyűt.

► **Ábra15:** 1. Belső illesztőperem 2. Gyűrű 3. O-gyűrű  
4. Darabolótárcsa 5. Külső illesztőperem  
6. Kézi rögzítőcsavar / hatlapfejú csavar

### LW1400 típus esetén

Emelje fel a biztonsági védőlemezt. A tengelyretea lenyomva tartása mellett forgassa el a kézi rögzítőcsavart az óramutató járásával ellentétes irányba. Ezután távolítsa le a kézi rögzítőcsavart, a külső illesztőperemet és a darabolótárcsát. A darabolótárcsa eltávolításakor ne vegye le a belső illesztőperemet, valamint a gyűrűt és az O-gyűrűt.

► **Ábra16:** 1. Tengelyretea 2. Kézi rögzítőcsavar

A darabolótárcsa felszerelésekor kövesse a leszerelési eljárást fordított sorrendben. Ügyeljen arra, hogy illeszse a darabolótárcsa furatát a gyűrűre, és helyezze vissza a biztonsági védőlemezt.

### LW1401 típus esetén

Emelje fel a biztonsági védőlemezt. A tengelyretea lenyomva tartása mellett forgassa el a hatlapfejú csavart egy dugókulccsal az óramutató járásával ellentétes irányba. Ezután távolítsa le a hatlapfejú csavart, a külső illesztőperemet és a tárcsát.

► **Ábra17:** 1. Tengelyretea 2. Hatlapfejú csavar

A tárcsa felszerelésekor kövesse a leszerelési eljárást fordított sorrendben. Ügyeljen arra, hogy illeszse a darabolótárcsa furatát a gyűrűre, és helyezze vissza a biztonsági védőlemezt.

## MŰKÖDTETÉS


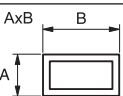
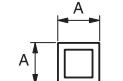

**VIGYÁZAT:** A fogantyú nyomásának helyes mértéke és a maximális vágási hatások a vágás során képződő szikrák mennyiségének segítségével határozható meg. Ne erőltesse a vágást a fogantyúra kifejtett túlzott nyomással. Csökkent vágási hatásfok, a tárcsa korai elhasználódása, valamint a szerszám, a darabolótárcsa vagy a munkadarab károsodása lehet az eredmény.

Szilárdan tartsa a fogantyút. Kapcsolja be a szerszámot, és mielőtt leengedi a vágáshoz, várja meg, amíg a tárcsa eléri a teljes fordulatszámot. Amikor a tárcsa érintkezik a munkadarabbal, fokozatosan szorítsa le a fogantyút a vágás elvégzéséhez. A vágás befejeztével kapcsolja ki a szerszámot és várja meg, amíg a tárcsa teljesen megáll, mielőtt visszaviszi a fogantyút a teljesen felemelt pozícióba.

## Vágóteljesítmény

A maximális vágóteljesítmény függ a vágási szögtől és a munkadarab alakjától.

### Max. vágóteljesítmény vadonatúj darabolótárcsával

Vágási szög / Munkadarab alakja	90°	45°
	127 mm	127 mm
	115 x 130 mm 102 x 194 mm 70 x 233 mm	115 x 103 mm
	119 x 119 mm	106 x 106 mm
	137 x 137 x 10 mm	100 x 100 x 10 mm

## A munkadarab rögzítése

**⚠ VIGYÁZAT:** Mindig helyezze a menettartót a tengely menetére a munkadarab rögzítésekor. Ennek elmulasztásakor a munkadarab nem lesz megfelelően rögzítve. Ez a munkadarab kilökődését okozhatja, vagy a tárcsa veszélyes eltöréséhez vezethet.

Amíg a menettartó fel van emelve, a befogólemez gyorsan ki-be mozgatható. A munkadarab befogásához nyomja le a fogantyút addig, amíg a befogólemez érintkezik a munkadarabbal, majd helyezze vissza a menettartót. Forgassa a fogantyút az óramutató járásával megegyező irányba addig, amíg a munkadarab biztonságosan rögzül.

► **Ábra18:** 1. Fogantyú 2. Menettartó 3. Befogólemez

Amikor a darabolótárcsa már nagymértékben elkopott, helyezzen egy távtartó tömböt a munkadarab mögé, az ábrán látható módon. Sokkal hatékonyabban tudja használni az elkopott tárcsát, ha a tárcsa szélének középső pontját használja a munkadarab vágására. Távtartó tömbnek használjon szilárd, nem gyúlékony anyagú tárgyat.

► **Ábra19:** 1. Távtartó tömb

Amikor 85 mm-nél szélesebb munkadarabokat vág szögben, csatlakoztasson egy több mint 190 mm hosszú x 45 mm széles, egyenes fadarabot (távtartót) a vezetőlemezhöz, ahogy az ábra is mutatja. Erősítse a távtartót csavarokkal, a vezetőlemezen található lyukak segítségével a vezetőleméhez. Ügyeljen arra, hogy a darabolótárcsa ne érintkezzen a távtartóval a szerszám fejének lenyomásakor.

► **Ábra20:** 1. Vezetőlemez 2. Távtartó tömb (több mint 190 mm hosszú x 45 mm széles)  
3. Munkadarab (több mint 85 mm széles)  
4. Befogólemez

► **Ábra21**

Amikor a darabolótárcsa elkopott, emelje fel a vágási helyzetét úgy, hogy a munkadarabnál valamivel keskenyebb távtartó tömböt helyez el az ábrán látható módon. Így gazdaságosabban kihasználhatja a tárcsát.

► **Ábra22:** 1. Befogólemez 2. Munkadarab átmérője 3. Vezetőlemez 4. Távtartó tömb szélessége

A hosszú munkadarabokat tömbökkel alá kell támasztani mindkét oldalán úgy, hogy az egy szintben legyen a gép talplemezének felső lapjával. Alátámasztó tömbként használjon nem gyúlékony anyagból készült tárgyakat.

► **Ábra23:** 1. Alátámasztó tömb

## A szerszám szállítása

Hajtsa le a szerszám fejét, és reteszelve. Szállítás közben fogja a szerszám fogantyúját.

► **Ábra24**

## KARBANTARTÁS

**⚠ VIGYÁZAT:** Mielőtt a vizsgálatához vagy karbantartásához kezdene, mindig bizonyosodjon meg arról hogy a szerszámot kikapcsolta és a hálózatról lecsatlakoztatta.

**MEGJEGYZÉS:** Soha ne használjon gázolajt, benzint, hígítót, alkoholt vagy hasonló anyagokat. Ezek elszíneződést, alakvesztést vagy repedést okozhatnak.

## A szénkefék cseréje

► **Ábra25:** 1. Határjelzés

Cserélje rendszeresen a szénkefeket. Cserélje ki azokat amikor lekopnak egészen a határjelzésig. Tartsa tisztán a szénkefeket és biztosítsa hogy szabadon mozoghassanak tartójukban. Mindkét szénkefét egyszerre cserélje ki. Használjon egyforma szénkefeket.

1. Csavarhúzó segítségével távolítsa el a kefetartó sapkákat.
2. Vegye ki a kopott szénkefeket, tegye be az újakat és helyezze vissza a kefetartó sapkákat.

► **Ábra26:** 1. Kefetartó sapka

## OPCIONÁLIS KIEGÉSZÍTŐK

**⚠ VIGYÁZAT:** Ezen kiegészítőket és tartozékokat javasoljuk a kézikönyvben ismertetett Makita szerszámhoz. Bármilyen más kiegészítő vagy tartozék használata a személyi sérülés kockázatával jár. A kiegészítő vagy tartozékok csak rendeltetészerűen használják.

Ha bármilyen segítségre vagy további információra van szüksége ezekkel a tartozékokkal kapcsolatban, keresse fel a helyi Makita Szervizközpontot.

- Szemcsés darabolótárcsak
- Dugókulcs (csak LW1401 típus)

**MEGJEGYZÉS:** A listán felsorolt néhány kiegészítő megtalálható az eszköz csomagolásában standard kiegészítőként. Ezek országonként eltérőek lehetnek.

# TECHNICKÉ ŠPECIFIKÁCIE

Model:		LW1400	LW1401
Priemer kotúča		355 mm	
Max. hrúbka kotúča		3 mm	
Priemer otvoru		25,4 mm	
Otáčky naprázdno		3 800 min <sup>-1</sup>	
Rozmery (D x Š x V)	S bezpečnostným krytom európskeho typu	530 mm x 295 mm x 640 mm	500 mm x 295 mm x 640 mm
	S bezpečnostným krytom iného než európskeho typu	530 mm x 290 mm x 640 mm	500 mm x 290 mm x 620 mm
Čistá hmotnosť	S bezpečnostným krytom európskeho typu a spodným krytom	18,7 kg	18,3 kg
Trieda bezpečnosti		II	

- Vzhľadom na neustály výskum a vývoj podliehajú technické údaje uvedené v tomto dokumente zmenám bez upozornenia.
- Technické údaje sa môžu pre rôzne krajiny líšiť.
- Hmotnosť podľa postupu EPTA 01/2003
- Tvar a hmotnosť sa môžu líšiť v závislosti od technických údajov, ktoré sa v jednotlivých krajinách môžu líšiť.

## Určené použitie

Toto náradie je určené na rezanie železných materiálov pomocou príslušného abrazívneho rozbrusovacieho kotúča. Dodržiavajte zákony a normy týkajúce sa prachu a ochrany zdravia na pracovisku platné vo vašej krajine.

## Napájanie

Nástroj sa môže pripojiť len k zodpovedajúcemu zdroju s napätím rovnakým, aké je uvedené na typovom štítku, a môže pracovať len s jednofázovým striedavým napätím. Nástroj je vybavený dvojistou izoláciou, a preto sa môže používať pri zapojení do zásuviek bez uzemňovacieho vodiča.

## Pre verejné nízkonapäťové rozvodné systémy s napätím 220 V až 250 V

Prepínanie elektrického zariadenia spôsobuje kolísanie napätia. Prevádzka tohto zariadenia za nepriaznivých podmienok v sieti môže mať nepriaznivý vplyv na prevádzku iných zariadení. Pri impedancii siete rovnkej alebo nižšej než 0,18 ohmov možno predpokladať, že nenastanú žiadne negatívne účinky. Sieťová zástrčka použitá pre toto zariadenie musí byť chránená poistkou alebo ochranným ističom s pomalými charakteristikami vypínania.

## Hluk

Typická hladina akustického tlaku záťaže A určená podľa štandardu EN62841:

### Model LW1400

Úroveň akustického tlaku ( $L_{pA}$ ): 102 dB (A)  
 Úroveň akustického tlaku ( $L_{WA}$ ): 110 dB (A)  
 Odchýlka (K): 3 dB (A)

### Model LW1401

Úroveň akustického tlaku ( $L_{pA}$ ): 102 dB (A)  
 Úroveň akustického tlaku ( $L_{WA}$ ): 110 dB (A)  
 Odchýlka (K): 3 dB (A)

**VAROVANIE:** Používajte ochranu sluchu.

## Vibrácie

Celková hodnota vibrácií (trojosový vektorový súčet) určená podľa štandardu EN62841:

### Model LW1400

Emisie vibrácií ( $a_h$ ): 2,5 m/s<sup>2</sup> alebo menej  
 Odchýlka (K): 1,5 m/s<sup>2</sup>

### Model LW1401

Emisie vibrácií ( $a_h$ ): 2,5 m/s<sup>2</sup> alebo menej  
 Odchýlka (K): 1,5 m/s<sup>2</sup>

**POZNÁMKA:** Deklarovaná hodnota emisií vibrácií bola mieraná podľa štandardnej skúšobnej metódy a môže sa použiť na porovnanie jedného nástroja s druhým.

**POZNÁMKA:** Deklarovaná hodnota emisií vibrácií sa môže použiť aj na predbežné posúdenie vystavenia ich účinkom.

**VAROVANIE:** Emisie vibrácií počas skutočného používania elektrického nástroja sa môžu odlišovať od deklarovanej hodnoty emisií vibrácií, a to v závislosti od spôsobov používania náradia.

**VAROVANIE:** Nezabudnite označiť bezpečnostné opatrenia s cieľom chrániť obsluhu, a to tie, ktoré sa zakladajú na odhade vystavenia účinkom v rámci reálnych podmienok používania (berúc do úvahy všetky súčasti prevádzkového cyklu, ako sú doby, kedy je nástroj vypnutý a kedy beží bez záťaženia, ako dodatok k dobe zapnutia).

## Vyhlasenie o zhode ES

### Len pre krajiny Európy

Vyhlasenie o zhode ES sa nachádza v prílohe A tohto návodu na obsluhu.



## Všeobecné bezpečnostné predpisy pre elektrické nástroje

**VAROVANIE:** Preštudujte si všetky bezpečnostné varovania, pokyny, vyobrazenia a technické špecifikácie určené pre tento elektrický nástroj. Pri nedodržaní všetkých nižšie uvedených pokynov môže dôjsť k úrazu elektrickým prúdom, požiaru alebo vážnemu zraneniu.

## Všetky výstrahy a pokyny si odložte pre prípad potreby v budúcnosti.

Pojem „elektrický nástroj“ sa vo výstrahách vzťahuje na elektricky napájané elektrické nástroje (s káblom) alebo batériou napájané elektrické nástroje (bez kábla).

## Bezpečnostné varovanie pre rezačku

1. **Dbajte na to, aby ste boli vy aj okolostojaci mimo roviny otáčajúceho sa kotúča.** Chránič pomáha chrániť obsluhu pred útokmi z kotúča a náhodným kontaktom s kotúčom.
2. **S elektrickým nástrojom používajte len vystužené rozrusovacie kotúče s pojivom.** Skutočnosť, že príslušenstvo možno pripojiť k vášmu elektrickému nástroju, nezaistuje bezpečnú prevádzku.
3. **Menovitá rýchlosť príslušenstva sa musí minimálne rovnať maximálnej rýchlosti vyznačenej na elektrickom nástroji.** Príslušenstvo prevádzkované vyššou rýchlosťou ako jeho menovitá rýchlosť môže prasknúť a rozpadnúť sa.
4. **Kotúče sa musia používať jedine na odporúčané aplikácie.** Napríklad: nebrúste bočnou stranou rozrusovacieho kotúča. Abrazívne rozrusovacie kotúče sú určené na periférne brúsenie; bočné sily aplikované na tieto kotúče by mohli zapríčiniť ich rozlomenie.
5. **Vždy používajte nepoškodené príruby kotúčov správneho priemeru pre váš zvolený kotúč.** Správne príruby kotúčov podopierajú kotúč a tým znižujú pravdepodobnosť zlomenia kotúča.
6. **Vonkajší priemer a hrúbka vášho príslušenstva musí byť v rozmedzí menovitej kapacity elektrického nástroja.** Príslušenstvo nesprávnej veľkosti nemožno správne chrániť pomocou chráničov ani ovládať.
7. **Veľkosť otvorov kotúčov a prírub musí presne padnúť na vreteno tohto elektrického náradia.** Kotúče a príruby s otvormi upínacieho trňa, ktoré sa nehodia na montážne vybavenie tohto elektrického náradia, budú nevyvážené, budú nadmerne vibrovať a môžu spôsobiť stratu kontroly nad náradím.
8. **Nepoužívajte poškodené kotúče.** Pred každým použitím skontrolujte, či kotúče nie sú odštrbené alebo prasknuté. Ak elektrický nástroj alebo kotúč spadne, skontrolujte, či nedošlo k poškodeniu, alebo namontujte nepoškodený kotúč. Po kontrole a namontovaní kotúča sa postavte vy aj okolostojaci mimo roviny otáčajúceho sa kotúča a spustíte elektrický nástroj na maximálne otáčky bez záťaže na jednu minútu. Poškodené kotúče sa za normálnych okolností počas doby tohto testu rozpadnú.

9. **Používajte osobné ochranné prostriedky.** V závislosti od typu použitia používajte štít na tvár, ochranné okuliare alebo bezpečnostné okuliare. Podľa potreby použite protiprachovú masku, chrániče sluchu, rukavice a pracovnú zásteru schopnú zastaviť malé úlomky brusiva alebo obročku. Ochrana zraku musí byť schopná zastaviť odletujúce úlomky pri rôznych úkonoch. Protiprachová maska alebo respirátor musia byť schopné filtrovať častice vznikajúce pri práci. Dlhodobé vystavenie intenzívnemu huku môže spôsobiť stratu sluchu.
10. **Okolostojacich udržiavajte v bezpečnej vzdialenosti od miesta práce.** Každý, kto vstúpi na miesto práce, musí používať osobné ochranné prostriedky. Úlomky obročku alebo poškodený kotúč môžu odletieť a spôsobiť poranenie aj mimo bezprostredného miesta práce.
11. **Kábel umiestnite ďalej od otáčajúceho sa príslušenstva.** Ak stratíte kontrolu nad ovládaním, kábel sa môže prerezať alebo zachytiť a vašu ruku alebo rameno môže vtiahnuť do otáčajúceho sa kotúča.
12. **Pravidelne čistite priechody elektrického nástroja.** Ventilátor motora môže vťahovať prach do krytu a nadmerné nahromadenie práškoveho kovu môže spôsobiť riziko zásahu elektrickým prúdom.
13. **Nepoužívajte elektrický nástroj v blízkosti horľavých materiálov.** Elektrický nástroj nepoužívajte, keď je umiestnený na horľavom povrchu, napríklad na dreve. Iskry by mohli spôsobiť vznietenie týchto materiálov.
14. **Nepoužívajte príslušenstvo, ktoré vyžaduje chladenie kvapalinou.** Pri použití vody alebo inej chladiacej kvapaliny by mohlo dôjsť k usmrteniu alebo zásahu elektrickým prúdom.

### Spätňý náraz a súvisiace varovania

Spätňý náraz je náhla reakcia na zovretý alebo zachytený otáčajúci sa kotúč. Zovretie alebo prekážka v materiáli môžu spôsobiť náhle zastavenie rotujúceho kotúča, čo môže mať za následok nekontrolované rezanie a vymrštenie nástroja smerom k obsluhu.

Ak napríklad dôjde k zovretiu alebo zaseknutiu brúsneho kotúča v obročku, okraj kotúča v bode zovretia sa môže zaseknúť do povrchu materiálu a spôsobiť vysokoenie alebo spätňý náraz kotúča. Brúsne kotúče sa môžu v takomto prípade aj zlomiť.

Spätňý náraz je dôsledkom nesprávneho používania a/alebo nesprávnej obsluhy elektrického nástroja, prípadne k nemu dochádza v dôsledku nesprávnych prevádzkových postupov alebo podmienok. Možno mu predchádzať uplatňovaním správnych bezpečnostných opatrení uvedených nižšie.

1. **Elektrický nástroj držte stále pevne oboma rukami a telo a ruky majte v polohe, ktorá vám umožní zvládnuť spätňý nárazu.** Obsluha môže kontrolovať silu spätňého nárazu smerujúceho nahor, ak sú prijaté správne preventívne opatrenia.
2. **Nestavajte sa do polohy v jednej rovine s otáčajúcim sa kotúčom.** Ak nastane spätňý náraz, vymršťte rezný nástroj nahor smerom k obsluhu.
3. **Nemontujte pilový reťaz, rezbárske ostrie, segmentový diamantový kotúč s obvodovým priemerom väčším ako 10 mm ani ozubený čepeľ píly.** Takéto ostria často spôsobujú spätňý náraz a stratu kontroly.
4. **Kotúč nestláčajte ani naň nevyvíjajte nadmerný tlak. Nepokúšajte sa rezať príliš hlboko.** Prílišné namáhanie kotúča zvyšuje zaťaženie a náchylnosť k stočeniu alebo zovretiu kotúča v reze a pravdepodobnosť spätňého nárazu alebo zlomenia kotúča.

- Keď sa kotúč zovrie alebo z nejakého dôvodu potrebujete prerušiť rez, vypnite elektrický nástroj a držte ho bez pohybu, kým sa kotúč úplne zastaví. Nikdy sa nepokúšajte vybrať kotúč z rezu, kým sa kotúč pohybuje; v opačnom prípade môže dôjsť k spätnému nárazu. Zistite príčinu zvierania kotúča a vykonajte kroky na jeho odstránenie.
- Nezačínajte opätovne rezanie s kotúčom v obrobku. Nechajte kotúč dosiahnuť plné otáčky a opatrne ho znovu zasuňte do rezu. Kotúč sa môže zovrieť, vystúpiť nahor alebo naraziť späť, ak elektrický nástroj znovu spustíte v obrobku.
- Obrobky nadmernej veľkosti podoprite, aby sa minimalizovalo riziko zovretia alebo spätného nárazu kotúča. Veľké obrobky sa zvyknú preháňať vlastnou váhou. Podpory treba umiestniť pod obrobok na oboch stranách v blízkosti línie rezu a v blízkosti okraja obrobku po oboch stranách kotúča.

#### Doplňujúce bezpečnostné varovania

- Pri práci dávajte pozor na odletujúce iskry. Môžu spôsobiť poranenie alebo vznietenie zápalných materiálov.
- Upevnite opracovávaný materiál. Pokiaľ je to praktické, na upevnenie opracovávaného materiálu použite svorky alebo zverák. Je to bezpečnejšie v porovnaní s držaním rukou a uvoľníte si tým obidve ruky na prácu s náradím.
- Kotúč dôkladne zaistite.
- Postupujte opatrne, aby ste nepoškodili vreteno, príruby (najmä montážnu plochu) alebo maticovú skrutku, prípadne aby nedošlo k zlomeniu samotného kotúča.
- Kryty nechajte nasadené a v prevádzkovom stave.
- Pevne uchopte rukoväť.
- Nepribližujte ruky k otáčajúcim sa častiam.
- Pred zapnutím spínača skontrolujte, či sa kotúč nedotýka obrobku.
- Pred používaním skontrolujte, či nedochádza k chveniu alebo nadmerným vibráciám, ktoré môžu byť spôsobené nesprávnou montážou alebo nesprávne vyváženým kotúčom.
- Odstraňte materiál alebo úlomky z miesta, ktoré by sa mohlo v dôsledku iskiere vznietiť. Dbajte na to, aby v dráhe iskiere neboli iné osoby. Majte v blízkosti pripravený správny naplnený hasiaci prístroj.
- Ak sa kotúč počas rezania zastaví, vydá zvláštny zvuk alebo začne vibrovať, okamžite vypnite nástroj.
- Pred vybratím alebo zaistením obrobku, manipuláciou so zverákom, zmenou pracovnej polohy, uhla alebo samotného kotúča vždy vypnite nástroj a počkajte, kým sa kotúč úplne zastaví.
- Nedotýkajte sa obrobku hneď po práci, pretože je extrémne horúci a môžete sa popáliť.
- Kotúče skladujte len na suchom mieste.

## TIETO POKYNY USCHOVAJTE.

## INŠTALÁCIA

**VAROVANIE:** Pri rezaní týmto nástrojom vznikajú iskry. Nástroj neinštalujte na mieste, kde hrozí vznietenie horľavých alebo výbušných materiálov spôsobené iskrami z nástroja. Zaistite aj to, aby sa pred začiatkom práce v blízkosti nástroja takéto materiály nenachádzali.

## Zaistenie základne

Tento nástroj musí byť priskrutkovaný dvoma skrutkami na rovny a stabilný povrch prostredníctvom skrutkových otvorov, ktoré sa nachádzajú v základni nástroja. Pomôže to zabrániť prevráteniu a možnému zraneniu osôb.

► **Obr.1:** 1. Otvory na skrutky 2. Základňa

## OPIS FUNKCIÍ

**POZOR:** Pred nastavovaním nástroja alebo kontrolou jeho funkcie sa vždy presvedčte, že je vypnutý a vytiahnutý zo zásuvky.

## Uvoľňovanie/zaisťovanie hlavy nástroja

Hlavu nástroja možno zaistiť. Hlavu nástroja vždy zaisťte, keď ju nepoužívate alebo keď ju prenášate.

#### Pre model LW1400

Hlavu uvoľnite miernym zatlačením a stlačením poistného kolíka. Hlavu zaistíte vrátením poistného kolíka na miesto, pričom hlavu nástroja pridržierte.

► **Obr.2:** 1. Poistný kolík

#### Pre model LW1401

Zaisťovaciu reťaz uvoľnite z háku. Keď sa nástroj nepoužíva, zaisťovaciu reťaz vždy zaveste na hák.

► **Obr.3:** 1. Háč 2. Zaisťovacia reťaz

## Zapínanie

**VAROVANIE:** Pred pripojením nástroja do zásuvky vždy skontrolujte, či spúšťač spínača funguje správne a po uvoľnení sa vracia do vypnutej polohy.

► **Obr.4:** 1. Tlačidlo zamknutia/odomknutia 2. Spúšťač spínača

#### Pre nástroj s tlačidlom zamknutia

Ak chcete nástroj spustiť, stlačte tlačidlo jeho spúšťač spínača. Nástroj zastavíte uvoľnením spúšťačieho spínača. Pokiaľ chcete pracovať nepretržite, potiahnite spúšťač spínača, stlačte tlačidlo zamknutia a následne uvoľnite spúšťač spínača. Ak chcete uvoľniť uzamknutú pozíciu nástroja, úplne stlačte spínač a potom ho uvoľnite.

**POZOR:** Operátor môže počas dlhšieho používania zablokovat' spúšť v zapnutej polohe, čo mu uľahčí prácu. Pri blokovani náradia v zapnutej polohe dávajte pozor a zachovajte pevné držanie náradia.

#### Pre nástroj s tlačidlom odomknutia

Nástroj je vybavený tlačidlom odomknutia, aby nedochádzalo k náhodnému stlačeniu spúšťačieho spínača. Ak chcete spustiť nástroj, stlačte tlačidlo odomknutia a potiahnite spúšťač spínača. Nástroj zastavíte uvoľnením spúšťačieho spínača.

**VAROVANIE:** NIKDY neobchádzajte použitie tlačidla odomknutia jeho prilepením v stlačenej polohe alebo inými prostriedkami. Spínač s vyraďeným tlačidlom odomknutia môže spôsobiť náhodné spustenie s dôsledkom vážnych osobných poranení.

**VAROVANIE:** NIKDY nepoužívajte nástroj, ak sa spustí pri stlačení len spúšťacieho spínača bez stlačenia tlačidla odomknutia. Vypínač, ktorý potrebuje opravu, môže spôsobiť náhodné spustenie a vážne osobné poranenie. PRED ďalším použitím vráťte nástroj do servisného centra Makita, kde ho dôkladne opravia.

**UPOZORNENIE:** Spúšťací spínač silno nestláčajte bez stlačenia tlačidla odomknutia. Môže to spôsobiť zlomenie spínača.

## Medzera medzi zverákom a vodiacou doskou

**POZOR:** Po nastavení medzery medzi zverákom a vodiacou doskou sa presvedčte, že je vodiaca doska riadne zaistená. V prípade nedostačitého zaistenia môže dôjsť k vážnemu zraneniu.

K dispozícii máte nasledujúce nastavenia medzery zveráka:

- 0 - 170 mm (pôvodné nastavenie)
- 35 - 205 mm
- 70 - 240 mm

Ak si vaša práca vyžaduje iné nastavenie, vykonajte nasledujúce kroky a zmeňte odstup alebo medzeru.

### Pre model LW1400

Uvoľnite skrutku na vodiacej doske. Vodiacu dosku posuňte do požadovanej polohy a dotiahnite skrutku.

► **Obr.5:** 1. Skrutka 2. Vodiaca doska

### Pre model LW1401

Pomocou nástrčkového kľúča odstráňte šesť skrutiek so šesťhrannou hlavou. Vodiacu dosku posuňte do požadovanej polohy a zaistite ju šiestimi skrutkami so šesťhrannou hlavou.

► **Obr.6:** 1. Vodiaca doska 2. Skrutky so šesťhrannou hlavou

## Nastavenie uhla rezu

**POZOR:** Po nastavení uhla vodiacej dosky sa presvedčte, či je vodiaca doska riadne zaistená. V prípade nedostatočného zaistenia môže dôjsť k vážnemu zraneniu.

**POZOR:** Vzhľadom na uhol rezu náradie nepoužívajte, keď je materiál príliš pevne zaistený vo zveráku.

### Pre model LW1400

Otočte páčku proti smeru hodinových ručičiek. Vodiacu dosku posuňte do požadovaného uhla a dotiahnite páčku.

► **Obr.7:** 1. Vodiaca doska 2. Páčka

### Pre model LW1401

**UPOZORNENIE:** Pri vykonávaní zrezávacieho rezu vodiacu dosku vždy nastavte do polohy 0 - 170 mm. Nastavenie polohy 35 - 205 mm alebo 70 - 240 mm brzdí pohyb dosky zarážky, ktorý spôsobí zlyhanie pri reze.

Pomocou nástrčkového kľúča uvoľnite šesť skrutiek so šesťhrannou hlavou. Vodiacu dosku otočte do požadovného uhla a zaistite ju šiestimi skrutkami so šesťhrannou hlavou. Dávajte pozor, aby ste nastavený uhol neposunuli pri uťahovaní skrutiek so šesťhrannou hlavou.

► **Obr.8:** 1. Vodiaca doska 2. Skrutky so šesťhrannou hlavou

**POZNÁMKA:** Mierka na vodiacej doske je len približná. Na dosiahnutie presnejšieho uhla použite uhlomer alebo trojuholníkové pravítko. Zatiačte na rukoväť, aby rozbrusovací kotúč vyčnieval do základne. Pomocou uhlomeru alebo trojuholníkového pravítka súčasne nastavte uhol medzi vodiacou doskou a rozbrusovacím kotúčom.

## Nastavenie chrániča pred iskrami

**Len pre model LW1401 (špecifické pre konkrétnu krajinu)**

► **Obr.9:** 1. Skrutka 2. Chránič pred iskrami

Chránič pred iskrami je namontovaný vo výrobe, pričom spodný kraj sa zasúva do základne. Činnosť nástroja v tejto polohe spôsobí odlietanie množstva iskiek. Uvoľnite skrutku a nastavte chránič pred iskrami do polohy, v ktorej bude množstvo preletujúcich iskiek minimálne.

## Doska zarážky

**Len pre model LW1401 (špecifické pre konkrétnu krajinu)**

► **Obr.10:** 1. Doska zarážky

Doska zarážky zaistí, aby sa rozbrusovací kotúč nedotkol pracovného stola ani podlahy. Pri nasadzovaní nového rozbrusovacieho kotúča nastavte dosku zarážky do polohy (A). V prípade opotrebovania rozbrusovacieho kotúča v takom rozsahu, že spodná časť obrobku ostáva neprerezaná, nastavte dosku zarážky do polohy (B), čím v prípade opotrebovaného kotúča zvýšite jeho reznú kapacitu.

## ZOSTAVENIE

**POZOR:** Skôr než začnete na nástroji robiť akékoľvek práce, vždy sa predtým presvedčte, že je vypnutý a vyťahnutý zo zásuvky.

## Bezpečnostný chránič s otváracím uzáverom v strede

### Špecifické pre jednotlivé krajiny

V prípade nástrojov vybavených bezpečnostným chráničom s otváracím uzáverom v strede najprv uvoľnite uťahovaciu skrutku a potom nadvihnite chránič.

► **Obr.11:** 1. Uťahovacia skrutka



## Bezpečnostný chránič s otváraním európskeho typu

### Špecifické pre jednotlivé krajiny

V prípade nástrojov vybavených bezpečnostným chráničom s otváraním európskeho typu najprv uvoľnite uťahovaciu skrutku a potom otvorte chránič podľa znázornenia na obrázku.

► **Obr.12:** 1. Uťahovacia skrutka

► **Obr.13**

► **Obr.14**

## Montáž alebo demontáž rozbrusovacieho kotúča

**⚠ POZOR:** Upínaciu svorku alebo skrutku so šesťhrannou hlavou bezpečne utiahnite. V prípade nedostatočného utiahnutia môže dôjsť k vážnemu zraneniu. Pri uťahovaní skrutky so šesťhrannou hlavou použite nástrčkový kľúč dodávaný spolu s nástrojom, aby ste zaistili riadne utiahnutie.

**⚠ POZOR:** Vždy používajte len vnútorné a vonkajšie príruby, ktoré sú určené na tento nástroj.

**⚠ POZOR:** Po výmene kotúča vždy spustíte bezpečnostný chránič.

**⚠ POZOR:** Pri manipulácii s kotúčmi používajte rukavice.

► **Obr.15:** 1. Vnútorná príruha 2. Prstenec 3. O-krúžok  
4. Rozbrusovací kotúč 5. Vonkajšia príruha  
6. Upínacia svorka/skrutka so šesťhrannou hlavou

### Pre model LW1400

Zdvihnite bezpečnostný chránič. Upínaciu svorku otáčajte proti smeru hodinových ručičiek, pričom tlačte na poistku hriadeľa. Následne odstráňte upínaciu svorku, vonkajšiu prírubu a rozbrusovací kotúč. Pri demontáži rozbrusovacieho kotúča nevyberajte vnútornú prírubu, prstenec ani tesniaci krúžok.

► **Obr.16:** 1. Poistka hriadeľa 2. Upínacia svorka

Pri inštalácii rozbrusovacieho kotúča vykonajte postup demontáže v opačnom poradí krokov. Bezpečne nasadíte otvor rozbrusovacieho kotúča na prstenec a bezpečnostný chránič vráťte na miesto.

### Pre model LW1401

Zdvihnite bezpečnostný chránič. Skrutku so šesťhrannou hlavou otáčajte proti smeru hodinových ručičiek pomocou nástrčkového kľúča, pričom tlačte na poistku hriadeľa. Potom demontujte skrutku so šesťhrannou hlavou, vonkajšiu prírubu a kotúč.

► **Obr.17:** 1. Poistka hriadeľa 2. Šesťhranná skrutka

Pri inštalácii kotúča vykonajte postup demontáže v opačnom poradí krokov. Bezpečne nasadíte otvor rozbrusovacieho kotúča na prstenec a bezpečnostný chránič vráťte na miesto.

## PREVÁDZKA


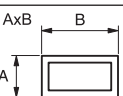
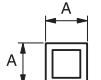

**⚠ POZOR:** Správny tlak na rukoväť pri rezaní a maximálnu účinnosť rezania možno určiť podľa množstva iskier vytváraných pri rezaní. **Rezanie neurýchľujte vytváraním nadmerného tlaku na rukoväť.** Môže dôjsť k zníženiu účinnosti rezania, predčasnému opotrebovaniu kotúča, ako aj k poškodeniu nástroja, rozbrusovacieho kotúča či obrobku.

Pevne uchopte rukoväť. Zapnite nástroj a pred jeho spustením do obrobku počkajte, kým nedosiahne plnú rýchlosť. Keď sa kotúč dotkne obrobku, postupne tlačte na rúčku a vykonávajte rez. Keď je rez dokončený, vypnite nástroj a počkajte, až kým sa kotúč úplne nezastaví, až potom vráťte rukoväť do úplne zdvihnutej polohy.

## Rezná kapacita

Max. rezná kapacita sa líši v závislosti od uhla rezu a tvaru obrobku.

Maximálna rezná kapacita s úplne novým rozbrusovacím kotúčom

Uhol rezu/ Tvar obrobku	90°	45°
	127 mm	127 mm
	115 x 130 mm 102 x 194 mm 70 x 233 mm	115 x 103 mm
	119 x 119 mm	106 x 106 mm
	137 x 137 x 10 mm	100 x 100 x 10 mm

## Zaistenie obrobku

**⚠ POZOR:** Pri zaistovaní obrobku vždy umiestnite zaistovací prvok závitú na závit hriadeľa. V opačnom prípade to môže mať za následok nedostatočné zaistenie obrobku. Mohlo by to spôsobiť vyhodenie obrobku alebo nebezpečné porušenie kotúča.

Po zdvihnutí zaistovacieho prvku závitú možno doskami zveráka pohybovať rýchlo obidvoma smermi. Zachytenie obrobku vykonajte tlačením na rukoväť, kým, sa doska zveráka nedotkne obrobku. Následne vráťte zaistovací prvok závitú na miesto. Rukoväť otáčajte proti smeru hodinových ručičiek, kým sa obrobok bezpečne nezaistí.

► **Obr.18:** 1. Rukoväť 2. Zaistovací prvok závitú  
3. Doska zveráka

Keď je rozbrusovací kotúč značne zodratý, za obrobok umiestnite blok rozpery, podľa zobrazenia na obrázku. Zodratý kotúč efektívnejšie využijete, keď na rezanie obrobku použijete stredný bod na okraji kotúča. Používajte blok rozpery z odolného a nehorľavého materiálu.

► **Obr.19:** 1. Blok rozpery

Pri rezaní obrobkov širších než 85 mm a v uhle pripevnite rovný kusok dreva (rozperu) s dĺžkou nad 190 mm a šírkou 45 mm k vodiacej doske podľa zobrazenia na obrázku. Túto rozperu upevnite skrutkami cez otvory vo vodiacej doske. Zaistíte, aby sa rozbrusovací kotúč nedotýkal rozpery ani pri zatlačení na hlavu nástroja.

► **Obr.20:** 1. Vodiaca doska 2. Rozpera (viac než 190 mm dlhá a 45 mm široká) 3. Obrobok (široký viac než 85 mm) 4. Doska zveráka

► **Obr.21**

Keď je rozbrusovací kotúč značne zodratý, posuňte polohu rezania vyššie podložením rozpery, ktorá je o čosi užšia než obrobok podľa zobrazenia na obrázku. To vám umožní efektívne využiť kotúč.

► **Obr.22:** 1. Doska zveráka 2. Priemer obrobku 3. Vodiaca doska 4. Šírka rozpery

Dlhé obrobky je potrebné podprieť blokmi na jednej alebo druhej strane, aby boli zarovnané s hornou časťou základne. Na podopretie používajte bloky z nehorľavého materiálu.

► **Obr.23:** 1. Podperné bloky

## Prenášanie nástroja

Hlavu nástroja zložte a zaistíte. Pri prenášaní držte nástroj za rukoväť.

► **Obr.24**

## ÚDRŽBA

**▲POZOR:** Pred vykonávaním kontroly a údržby nástroj vždy vypnite a odpojte od prívodu elektrickej energie.

**UPOZORNENIE:** Nepoužívajte benzín, riedidlo, alkohol ani podobné látky. Mohlo by to spôsobiť zmenu farby, deformácie alebo praskliny.

## Výmena uhlíkov

► **Obr.25:** 1. Medzná značka

Pravidelne kontrolujte uhlíky.

Ak sú opotrebované až po medznú značku, vymeňte ich. Uhlíky musia byť čisté a musia voľne zapadať do svojich držiakov. Oba uhlíky sa musia vymieňať naraz. Používajte len identické uhlíky.

1. Veká držiaka uhlíkov otvoríte skrutkovačom.

2. Vyberte opotrebované uhlíky, založte nové a zaistíte veká držiaka uhlíka.

► **Obr.26:** 1. Veko držiaka uhlíka

## VOLITEĽNÉ PRÍSLUŠENSTVO

**▲POZOR:** Pre váš nástroj Makita, opísaný v tomto návode, doporučujeme používať toto príslušenstvo a nástavce. Pri použití iného príslušenstva či nástavcov môže hroziť nebezpečenstvo zranenia osôb. Príslušenstvo a nástavce sa môžu používať len na účely pre ne stanovené.

Ak potrebujete bližšie informácie týkajúce sa tohoto príslušenstva, obráťte sa na vaše miestne servisné stredisko firmy Makita.

- Abrazívne rozbrusovacie kotúče
- Nástrčkový kľúč (len pre model LW1401)

**POZNÁMKA:** Niektoré položky zo zoznamu môžu byť súčasťou balenia nástrojov vo forme štandardného príslušenstva. Rozsah týchto položiek môže byť v každej krajine odlišný.

## SPECIFIKACE

Model:		LW1400	LW1401
Průměr kotouče		355 mm	
Max. tloušťka kotouče		3 mm	
Průměr otvoru		25,4 mm	
Otáčky bez zatížení		3 800 min <sup>-1</sup>	
Rozměry (D × Š × V)	S ochranným krytem určeným pro Evropu	530 mm × 295 mm × 640 mm	500 mm × 295 mm × 640 mm
	S jiným ochranným krytem než pro Evropu	530 mm × 290 mm × 640 mm	500 mm × 290 mm × 620 mm
Hmotnost netto	S ochranným krytem a dolním krytem určeným pro Evropu	18,7 kg	18,3 kg
Třída bezpečnosti		II	

- Vzhledem k neustálému výzkumu a vývoji podléhají zde uvedené specifikace změnám bez upozornění.
- Specifikace se mohou pro různé země lišit.
- Hmotnost podle EPTA-Procedure 01/2003
- Tvar a hmotnost jsou odlišné v závislosti na specifikacích, které se v různých zemích liší.

### Účel použití

Nářadí je určeno k řezání železných materiálů pomocí vhodného rozbrušovacího kotouče. Dodržujte veškeré zákony a předpisy týkající se prašnosti, zdraví a bezpečnosti na pracovišti ve vaší zemi.

### Napájení

Nářadí smí být připojeno pouze k napájení se stejným napětím, jaké je uvedeno na výrobním štítku, a může být provozováno pouze v jednofázovém napájecím okruhu se střídavým napětím. Nářadí je vybaveno dvojitou izolací a může být tedy připojeno i k zásuvkám bez zemnicího vodiče.

### Pro veřejné nízkonapěťové rozvodné systémy s napětím mezi 220 V a 250 V

Při spínání elektrických přístrojů může dojít ke kolísání napětí. Provozování tohoto zařízení za nepříznivého stavu elektrické sítě může mít negativní vliv na provoz ostatních zařízení. Je-li impedance sítě menší nebo rovna 0,18 Ohm, lze předpokládat, že nevzniknou žádné negativní účinky. Síťová zásuvka použitá pro toto zařízení musí být chráněna pojistkou nebo ochranným jističem s pomalou vypínací charakteristikou.

### Hlučnost

Typická vážená hladina hluku (A) určená podle normy EN62841:

#### Model LW1400

Hladina akustického tlaku ( $L_{pA}$ ): 102 dB(A)  
 Hladina akustického výkonu ( $L_{WA}$ ): 110 dB (A)  
 Nejistota (K): 3 dB(A)

#### Model LW1401

Hladina akustického tlaku ( $L_{pA}$ ): 102 dB(A)  
 Hladina akustického výkonu ( $L_{WA}$ ): 110 dB (A)  
 Nejistota (K): 3 dB(A)

### **VAROVÁNÍ:** Používejte ochranu sluchu.

### Vibrace

Celková hodnota vibrací (vektorový součet tří os) určená podle normy EN62841:

#### Model LW1400

Emise vibrací ( $a_n$ ): 2,5 m/s<sup>2</sup> nebo méně  
 Nejistota (K): 1,5 m/s<sup>2</sup>

#### Model LW1401

Emise vibrací ( $a_n$ ): 2,5 m/s<sup>2</sup> nebo méně  
 Nejistota (K): 1,5 m/s<sup>2</sup>

**POZNÁMKA:** Hodnota deklarovaných emisí vibrací byla změněna standardní zkušební metodou a dá se použít k porovnání nářadí mezi sebou.

**POZNÁMKA:** Hodnotu deklarovaných emisí vibrací lze také použít k předběžnému posouzení míry expozice vibracím.

**VAROVÁNÍ:** Emise vibrací při používání elektrického nářadí ve skutečnosti se mohou od hodnoty deklarovaných emisí vibrací lišit v závislosti na způsobech použití nářadí.

**VAROVÁNÍ:** Nezapomeňte stanovit bezpečnostní opatření na ochranu obsluhy podle odhadu expozice ve skutečných podmínkách použití. (Vezměte přitom v úvahu všechny části provozního cyklu, tj. kromě doby zátěže například doby, kdy je nářadí vypnuté a kdy běží naprázdno.)

### Prohlášení ES o shodě

#### Pouze pro evropské země

Prohlášení ES o shodě je obsaženo v Příloze A tohoto návodu k obsluze.

## Obecná bezpečnostní upozornění k elektrickému nářadí

**VAROVÁNÍ:** Přečtěte si všechny bezpečnostní výstrahy i pokyny a prohlédněte si ilustrace a specifikace dodané k tomuto elektrickému nářadí. Nedodržení všech níže uvedených pokynů může vést k úrazu elektrickým proudem, požáru či vážnému zranění.

## Všechna upozornění a pokyny si uschovejte pro budoucí potřebu.

Pojem „elektrické nářadí“ v upozorněních označuje elektrické nářadí, které se zapojuje do elektrické sítě, nebo elektrické nářadí využívající akumulátory.

## Bezpečnostní výstrahy k řezacímu zařízení

1. **Obsluha či přihlížející osoby se musí postavit mimo rovinu rotujícího kotouče.** Kryt napomáhá chránit obsluhu před úlomky rozbitého kotouče a před náhodným kontaktem s kotoučem.
2. **V elektrickém nářadí používejte pouze rozbrušovací kotouče zesílené tkaninou.** Pouhá možnost upevnění příslušenství k nářadí není zárukou bezpečného provozu.
3. **Jmenovité otáčky příslušenství se musí nejméně rovnat maximálním otáčkám vyznačeným na elektrickém nářadí.** Příslušenství pracující při vyšších než jmenovitých otáčkách se může roztrhnout a rozlétnout.
4. **Kotouče musí být použity pouze k doporučeným účelům. Příklad: Neprovádějte broušení bokem rozbrušovacího kotouče.** Rozbrušovací kotouče jsou určeny k obvodovému broušení. Působení bočních sil na tyto kotouče může způsobit jejich roztržení.
5. **Vždy používejte nepoškozené příruby kotoučů se správným průměrem odpovídajícím vybranému kotouči.** Správné příruby zajistí podepření kotouče a omezí možnost jeho roztržení.
6. **Vnější průměr a tloušťka příslušenství musí odpovídat jmenovitým hodnotám určeným pro dané elektrické nářadí.** Příslušenství nesprávné velikosti nelze řádně chránit či kontrolovat.
7. **Průměr otvoru kotoučů a přírub musí odpovídat průměru vřetena elektrického nářadí.** Kotouče a příruby s otvory neodpovídajícími upevňovacímu mechanismu nářadí nebudou vyvážené, povedou k nadměrným vibracím a mohou způsobit ztrátu kontroly nad nářadím.
8. **Nepoužívejte poškozené kotouče. Před každým použitím kotouče zkontrolujte, zda není vyštípaný nebo popraskaný. Po pádu nářadí či kotouče zkontrolujte, zda nedošlo k poškození, případně namontujte nepoškozený kotouč. Po kontrole a instalaci kotouče se postavte mimo rovinu rotujícího kotouče (totéž platí pro přihlížející osoby) a nechte nářadí minutu běžet při maximálních otáčkách bez zatížení. Poškozené kotouče se během této zkoušky obvykle zničí.**
9. **Používejte osobní ochranné prostředky. Podle typu prováděné práce používejte obličejový štít nebo ochranné brýle. Podle potřeby používejte protiprachovou masku, ochranu sluchu, rukavice a pracovní zástěru, která je schopna zastavit malé kousky brusiva nebo částičky opracovávaného obrobku. Ochrana zraku musí odolávat odletujícímu materiálu vznikajícímu při různých činnostech.**

Protiprachová maska nebo respirátor musí filtrovat částice vznikající při prováděné práci. Dlouhodobé vystavení hluku vysoké intenzity může způsobit ztrátu sluchu.

10. **Zajistěte, aby přihlížející osoby dodržovaly bezpečnou vzdálenost od místa provádění práce. Všechny osoby vstupující na pracoviště musí používat osobní ochranné prostředky.** Odštěpky obrobku nebo roztrženého kotouče mohou odletnout a způsobit zranění i ve větší vzdálenosti od pracoviště.
11. **Napájejte kabel vedle mimo otáčející se příslušenství.** Při ztrátě kontroly nad nářadím může dojít k přefezání či zachycení kabelu nebo ke vtažení ruky či paže do rotujícího kotouče.
12. **Pravidelně čistěte větrací otvory elektrického nářadí.** Ventilátor motoru nasává dovnitř skříňné prach. Dojde-li k nadměrnému nahromadění kovového prachu, hrozí nebezpečí.
13. **Neppracujte s elektrickým nářadím v blízkosti hořlavých materiálů. Neppracujte s elektrickým nářadím v blízkosti hořlavého povrchu, jako je například dřevo.** Odletující jiskry by mohly tyto materiály zapálit.
14. **Nepoužívejte příslušenství vyžadující použití chladících kapalin.** Použití vody nebo jiné chladicí kapaliny může vést k úmrtí nebo úrazu elektrickým proudem.

### Zpětný ráz a související výstrahy

Zpětný ráz je náhlu reakci na skřípnutí či zaseknutí rotujícího kotouče. Skřípnutí či zaseknutí způsobí prudké zastavení rotujícího kotouče, jež vyvolá nekontrolované vržení řezací jednotky směrem vzhůru k obsluze. Pokud například dojde k zaseknutí nebo skřípnutí brusného kotouče v obrobku, hrana kotouče vstupující do místa skřípnutí se může zakousnout do povrchu materiálu a to způsobí zvednutí kotouče nebo jeho vyhození. Za těchto podmínek může také dojít k roztržení brusných kotoučů. Zpětný ráz je důsledkem špatného použití a/nebo nesprávných pracovních postupů či podmínek. Lze se mu vyhnout přijetím odpovídajících opatření, která jsou uvedena níže.

1. **Elektrické nářadí pevně držte a zaujměte takový postoj těla a pozici rukou, abyste silám zpětných rázů odolali.** Za předpokladu přijetí správných preventivních opatření může obsluha sílu vzhůru směřujících zpětných rázů zvládnout.
2. **Nezaujímejte nevhodnou polohu v rovině s rotujícím kotoučem.** Dojde-li ke zpětnému rázu, dojde k vržení řezací jednotky směrem vzhůru k obsluze.
3. **Nepřipojujte článkové, ozubený či segmentový diamantový kotouč s většími než 10 mm obvodovými mezerami ani ozubený pilový kotouč.** Tyto kotouče často způsobují zpětné rázy a ztrátu kontroly.
4. **Zamezte zaseknutí kotouče a nevyvíjejte na něj přílišný tlak. Nepokoušejte se o provádění příliš hlubokých řezů.** Vyvinete-li na kotouč příliš velký tlak, zvýšíte jeho zatížení a náchylnost ke kroucení či ohýbání v řezu a tudíž i možnost zpětného rázu nebo roztržení kotouče.
5. **Pokud kotouč vážne nebo jestliže z jakéhokoli důvodu přerušíte řezání, vypněte nářadí a držte řezací jednotku nehybně, dokud se kotouč úplně nezastaví. Nikdy se nepokoušejte vytáhnout kotouč z řezu, pokud je v pohybu, neboť by mohlo dojít ke zpětnému rázu.** Zjistěte příčinu zadrhnutí kotouče a proveďte nápravná opatření.

6. **Neobnovujte řezání přímo v obrobku.** Nechte kotouč dosáhnout plné rychlosti a potom jej opatrně zavedte zpět do řezu. Spustíte-li kotouč v obrobku, může dojít k jeho uvážnutí, vyskočení nebo ke zpětnému rázu.
7. **Jakékoli nadměrné obrobky podepřete, abyste minimalizovali nebezpečí skřípnutí kotouče a zpětného rázu.** Rozměrné obrobky mívají tendenci prohýbat se vlastní vahou. Podpěry je nutno umístit pod obrobek v blízkosti linie řezu a u okrajů obrobku, a to po obou stranách kotouče.

#### Další bezpečnostní výstrahy

1. **Během práce dávejte pozor na odletující jiskry.** Jiskry mohou způsobit zranění nebo zapálit hořlavé materiály.
2. **Upevněte opracováváný díl.** Upevněte opracováváný díl pokud možno do svorek nebo do svěráku. Je to bezpečnější, než když jej držíte rukou, a uvolníte si tím obě ruce pro práci s nářadím.
3. **Kotouč pečlivě uchyťte.**
4. **Dávejte pozor, abyste nepoškodili vřeteno, příruby (zejména instalační povrch) nebo šroub.** V opačném případě se může kotouč samovolně roztrhnout.
5. **Kryty musí být vždy nainstalovány a musí být v provozuschopném stavu.**
6. **Uchopte pevně držadlo.**
7. **Nepřibližujte ruce k otáčejícím se částem.**
8. **Před zapnutím spínače se přesvědčte, zda se kotouč nedotýká obrobku.**
9. **Před každým použitím dávejte pozor na chvění nebo příliš velké vibrace, které by mohly být způsobeny špatně nainstalovaným nebo nedostatečně vyváženým kotoučem.**
10. **Z pracoviště odstraňte materiál nebo odpad, který by mohl být zapálen odletujícími jiskrami.** Dbejte, aby se v cestě odletujících jisker nenacházely žádné osoby. V blízkosti musí být k dispozici správný a řádně naplněný hasicí přístroj.
11. **Pokud se během provozu přestane kotouč otáčet, začne vydávat neobvyklý hluk nebo vibrovat, okamžitě nářadí vypněte.**
12. **Před vytažením obrobku, upínáním obrobku, prací se svěrákem, změnou pracovní polohy, úhlu nebo samotného kotouče vždy nářadí vypněte a počkejte, dokud se kotouč úplně nezastaví.**
13. **Bezprostředně po ukončení práce se nářadí nedotýkejte; dosahuje mimořádně vysokých teplot a mohlo by vám popálit pokožku.**
14. **Kotouče skladujte pouze v suchých prostorech.**

## TYTO POKYNY USCHOVEJTE.

## INSTALACE

**VAROVÁNÍ:** Toto nářadí vytváří při řezání obrobků jiskry. Neinstalujte toto nářadí na místě, kde by jiskrami od nářadí mohlo dojít ke vznícení hořlavých a/nebo výbušných materiálů. Před zahájením práce se také ujistěte, že se v blízkosti nářadí žádné takovéto materiály nenachází.

## Upevnění základny

Toto nářadí je třeba upevnit dvěma šrouby k rovnému a stabilnímu povrchu pomocí otvorů pro šrouby, které jsou k dispozici v základně nářadí. Zabráňte tak převržení nářadí a možnému zranění.

► **Obr.1:** 1. Otvory šroubů 2. Základna

## POPIS FUNKCÍ

**UPOZORNĚNÍ:** Před nastavováním nářadí nebo kontrolou jeho funkce se vždy přesvědčte, že je vypnuté a vytažené ze zásuvky.

## Odjištění/zajištění hlavy nářadí

Hlavu nářadí lze zajistit. Pokud nářadí nepoužíváte nebo jej přenášíte, vždy hlavu nářadí zajistěte.

#### Pro typ LW1400

K odjištění mírně zatlačte na hlavu nářadí a stiskněte pojistný čep. Pro zajištění přidržte hlavu nářadí dole a vraťte pojistný čep do původní polohy.

► **Obr.2:** 1. Pojistný čep

#### Pro typ LW1401

Odhákněte pojistný řetěz z háčku. Pokud nářadí nepoužíváte, vždy zahákněte pojistný řetěz za háček.

► **Obr.3:** 1. Háček 2. Pojistný řetěz

## Používání spouště

**VAROVÁNÍ:** Před připojením nářadí do zásuvky vždy zkontrolujte, zda spoušť funguje správně a po uvolnění se vrácí do vypnuté polohy.

► **Obr.4:** 1. Zajišťovací/odjišťovací tlačítko 2. Spoušť

#### Nářadí se zajišťovacím tlačítkem

Chcete-li nářadí uvést do chodu, stačí stisknout spoušť. Chcete-li nářadí vypnout, uvolněte spoušť. Chcete-li pracovat v nepetržitém provozu, stiskněte spoušť, zamáčkněte zajišťovací tlačítko a potom spoušť uvolněte. Chcete-li nářadí vypnout ze zablokované polohy, stiskněte naplno spoušť a poté ji uvolněte.

**UPOZORNĚNÍ:** K zajištění pohodlí obsluhy při delším používání lze přepínač zajistit v zapnuté poloze. Při zajišťování nářadí v zapnuté poloze buďte opatrní a nářadí pevně držte.

#### Nářadí s odjišťovacím tlačítkem

K zamezení náhodnému stisknutí spouště je nářadí vybaveno odjišťovacím tlačítkem. Nářadí spustíte stisknutím odjišťovacího tlačítka a spouště. Chcete-li nářadí vypnout, uvolněte spoušť.

**VAROVÁNÍ:** NIKDY neblokujte funkci odjišťovacího tlačítka zalepením páskou ani jinými způsoby. Spínač se zablokovaným odjišťovacím tlačítkem může být příčinou neúmyslného zapnutí a vážného zranění.

**VAROVÁNÍ:** NIKDY nepoužívejte nářadí, které lze spustit pouhým stisknutím spouště bez použití odjišťovacího tlačítka. Spínač vyžadující opravu může způsobit neúmyslné zapnutí a vážné zranění. V takovém případě nářadí PŘED dalším použitím předejte servisnímu středisku Makita k opravě.

**POZOR:** Nemačkejte spoušť silou bez stisknutí odjišťovacího tlačítka. Mohlo by dojít k poškození spínače.

## Interval mezi svěrákem a vodící lištou

**UPOZORNĚNÍ:** Po nastavení intervalu mezi svěrákem a vodící lištou zkontrolujte, zda je vodící lišta řádně zajištěna. Nedostatečné upevnění by mohlo způsobit zranění.

Jsou k dispozici následující nastavení intervalu svěráku:

- 0 - 170 mm (původní nastavení)
- 35 - 205 mm
- 70 - 240 mm

Pokud potřebujete při práci použít jiné nastavení, změňte mezeru nebo interval následovně.

### Pro typ LW1400

Povolte šroub na vodící liště. Posuňte vodící lištu do požadované polohy a utáhněte šroub.

► **Obr.5:** 1. Šroub 2. Vodící lišta

### Pro typ LW1401

Nástrčným klíčem demontujte dva šrouby s šestihlannou hlavou. Přesuňte vodící lištu do požadované polohy a upevněte ji pomocí šroubů s šestihlannou hlavou.

► **Obr.6:** 1. Vodící lišta 2. Šrouby s šestihlannou hlavou

## Nastavení úhlu řezání

**UPOZORNĚNÍ:** Po nastavení úhlu vodící lišty zkontrolujte, zda je vodící lišta řádně zajištěna. Nedostatečné upevnění by mohlo způsobit zranění.

**UPOZORNĚNÍ:** Nářadí nepoužívejte, pokud je materiál nedostatečně pevně uchycený ve svěráku z důvodu úhlu řezání.

### Pro typ LW1400

Otočte páčkou proti směru hodinových ručiček.

Nastavte vodící lištu do požadovaného úhlu a utáhněte páčku na doraz.

► **Obr.7:** 1. Vodící lišta 2. Páčka

### Pro typ LW1401

**POZOR:** Při provádění pravého pokosového řezu vždy nastavte vodící lištu do polohy 0 - 170 mm. Nastavením do polohy 35 - 205 mm nebo 70 - 240 mm by došlo k omezení pohybu desky s dorazem, což by způsobilo nesprávný řez.

Nástrčným klíčem povolte dva šrouby s šestihlannou hlavou. Natočte vodící lištu do požadovaného úhlu a upevněte ji pomocí šroubů s šestihlannou hlavou. Dávejte pozor, abyste při dotahování šroubů s šestihlannou hlavou nezměnili nastavený úhel.

► **Obr.8:** 1. Vodící lišta 2. Šrouby s šestihlannou hlavou

**POZNÁMKA:** Měřítka vodící lišty slouží pouze k hrubé orientaci. Pro přesnější úhly použijte úhloměr nebo trojúhelníkové pravítko. Držadlo přidrže v dolní poloze, aby se rozbrušovací kotouč přiblížil k základně. Nyní nastavte úhloměrem či trojúhelníkovým pravítkem úhel mezi vodící lištou a rozbrušovacím kotoučem.

## Nastavení ochrany proti jiskrám

*Pouze LW1401 (specifické podle země)*

► **Obr.9:** 1. Šroub 2. Ochrana proti jiskrám

Ochrana proti jiskrám je z výroby nainstalována tak, že se její dolní okraj dotýká základny. Provozování nářadí v této poloze může vést k odletování velkého množství jisker do okolí. Povolte šroub a nastavte ochranu proti jiskrám do takové polohy, ve které je odletování jisker omezeno na minimum.

## Deska s dorazem

*Pouze LW1401 (specifické podle země)*

► **Obr.10:** 1. Deska s dorazem

Deska s dorazem brání kontaktu rozbrušovacího kotouče s pracovním stolem nebo podlahou. Po montáži nového rozbrušovacího kotouče nastavte desku s dorazem do polohy (A). Jak se rozbrušovací kotouč opotřebí do té míry, že dolní část obrobku zůstane neodřezaná, nastavte desku s dorazem do polohy (B), ve které můžete využít celou kapacitu řezání opotřebovaného kotouče.

## SESTAVENÍ

**UPOZORNĚNÍ:** Než začnete na nářadí provádět jakékoli práce, vždy se předtím přesvědčte, že je vypnuté a vytažené ze zásuvky.

## Otevření ochranného krytu s centrální krytkou

*Specifické podle země*

U nářadí vybavené ochranným krytem s centrální krytkou povolte nejdříve upínací šroub a pak zvedněte kryt.

► **Obr.11:** 1. Upínací šroub



## Otevření ochranného krytu určeného pro Evropu

### Specifické podle země

U nářadí vybavené ochranným krytem určeným pro Evropu povolte nejdříve upínací šroub a pak otevřete kryt podle obrázku.

► **Obr.12:** 1. Upínací šroub

► **Obr.13**

► **Obr.14**

## Demontáž a montáž rozbrušovacího kotouče

**▲ UPOZORNĚNÍ:** Dbejte na pevné dotažení svorky pro ruční manipulaci nebo šroubu s šestihlannou hlavou. Nedostatečné dotažení by mohlo přivodit těžké zranění. Pro dotažení šroubu s šestihlannou hlavou použijte nástrčný klíč dodaný s nářadím, abyste dosáhli řádného dotažení.

**▲ UPOZORNĚNÍ:** Vždy používejte správné vnitřní a vnější příruby, které byly dodány spolu s nářadím.

**▲ UPOZORNĚNÍ:** Po výměně kotouče vždy spustte dolů ochranný kryt.

**▲ UPOZORNĚNÍ:** Při manipulaci s kotouči vždy používejte rukavice.

► **Obr.15:** 1. Vnitřní příruba 2. Prsteneček 3. Těsnicí kroužek 4. Rozbrušovací kotouč 5. Vnější příruba 6. Svorka pro ruční manipulaci / šroub s šestihlannou hlavou

### Pro typ LW1400

Zvedněte ochranný kryt. Přidržte zámek hřídele a otáčejte svorkou pro ruční manipulaci proti směru hodinových ručiček. Pak sejměte svorku pro ruční manipulaci, vnější příruba a rozbrušovací kotouč. Při snímání rozbrušovacího kotouče nesnímejte vnitřní příruba ani prsteneček a těsnicí kroužek.

► **Obr.16:** 1. Zámek hřídele 2. Svorka pro ruční manipulaci

Při instalaci rozbrušovacího kotouče použijte opačný postup demontáže kotouče. Dbejte, aby otvor rozbrušovacího kotouče lícovl s prstencem a vraťte na místo ochranný kryt.

### Pro typ LW1401

Zvedněte ochranný kryt. Přidržte zámek hřídele a nástrčným klíčem otáčejte šroubem s šestihlannou hlavou proti směru hodinových ručiček. Následně demontujte šroub s šestihlannou hlavou, vnější příruba a kotouč.

► **Obr.17:** 1. Zámek hřídele 2. Šroub s šestihlannou hlavou

Při instalaci kotouče použijte opačný postup demontáže kotouče. Dbejte, aby otvor rozbrušovacího kotouče lícovl s prstencem a vraťte na místo ochranný kryt.

## PRÁCE S NÁŘADÍM

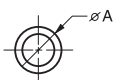
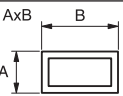
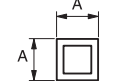

**▲ UPOZORNĚNÍ:** Správný tlak vyvíjený na držadlo v průběhu řezání a maximální efektivitu řezání lze stanovit podle objemu jisker odletujících během řezání. Při řezání nevyvíjejte na držadlo příliš velkou sílu. V opačném případě se může snížit efektivita řezání, může dojít k předčasnému opotřebenému kotouče a případnému poškození nářadí, rozbrušovacího kotouče nebo řezaného obrobku.

Uchopte pevně držadlo. Zapněte nářadí a počkejte, dokud kotouč nedosáhne plných otáček. Poté kotouč pomalu spusťte do řezu. Jakmile se kotouč dotkne dílu, postupně zvyšujte tlak na držadlo a provádějte řez. Po dokončení řezu nářadí vypněte a před přesunutím držadla zcela nahoru počkejte, dokud se kotouč úplně nezastaví.

## Kapacita řezání

Maximální kapacita řezání závisí na úhlu řezání a tvaru obrobku.

Maximální kapacita řezání se zcela novým rozbrušovacím kotoučem

Úhel řezání Tvar dílu	90°	45°
	127 mm	127 mm
	115 x 130 mm 102 x 194 mm 70 x 233 mm	115 x 103 mm
	119 x 119 mm	106 x 106 mm
	137 x 137 x 10 mm	100 x 100 x 10 mm

## Zajištění obrobku

**▲ UPOZORNĚNÍ:** Při zajišťování obrobku vždy zasuňte do závitů hřídele držák závitů. V opačném případě může dojít k nedostatečnému zajištění obrobku. To by mohlo zapříčinit uvolnění obrobku nebo nebezpečné rozlštění kotouče.

Při nadzvednutém držáku závitů lze desku svěráku rychle posouvat dovnitř a ven. Při uchycování obrobku tlače na držadlo, dokud se deska svěráku nedotkne obrobku, a pak vraťte držák závitů na místo. Otáčejte držadlem ve směru hodinových ručiček, dokud nebude obrobek bezpečně upevněn.

► **Obr.18:** 1. Držadlo 2. Držák závitů 3. Deska svěráku

Je-li rozbrušovací kotouč značně opotřeben, vložte za díl distanční blok, jak je znázorněno na obrázku. Opotřebený kotouč lze efektivněji využít v případě, že na obvodu kotouče použijete při řezání dílu středový bod. Na distanční blok použijte odolný nehořlavý materiál.

► **Obr.19:** 1. Distanční blok

Při řezání obrobků širších než 85 mm pod úhlem připevněte k vodící liště rovný kus dřeva (distanční blok) delší než 190 mm a širší než 45 mm, jak je znázorněno na obrázku. Tento distanční blok upevněte šrouby prostřednictvím otvorů ve vodící liště. Zkontrolujte, zda se po zatlačení na hlavu nářadí rozbrušovací kotouč nedotýká distančního bloku.

► **Obr.20:** 1. Vodící lišta 2. Distanční blok (delší než 190 mm a širší než 45 mm) 3. Obrobek (širší než 85 mm) 4. Deska svěráku

► **Obr.21**

Je-li rozbrušovací kotouč opotřeben, zvyšte polohu řezání vložením distančního bloku mírně užího než obrobek, jak je znázorněno na obrázku. Tak budete moci kotouč ekonomicky využít.

► **Obr.22:** 1. Deska svěráku 2. Průměr obrobku 3. Vodící lišta 4. Šířka distančního bloku

Dlouhé díly musí být podepřeny na obou stranách tak, aby byly zarovnané s horním okrajem základny. K podepření použijte bloky z nehořlavého materiálu.

► **Obr.23:** 1. Blok k podepření

## Přenášení nářadí

Sklopte hlavu nářadí a zajistěte ji. Při přenášení držte nářadí za držadlo.

► **Obr.24**

## ÚDRŽBA

**▲ UPOZORNĚNÍ:** Než začnete provádět kontrolu nebo údržbu nářadí, vždy se přesvědčte, že je vypnuté a vytažené ze zásuvky.

**POZOR:** Nikdy nepoužívejte benzín, benzen, ředidlo, alkohol či podobné prostředky. Mohlo by tak dojít ke změnám barvy, deformacím či vzniku prasklin.

## Výměna uhlíků

► **Obr.25:** 1. Mezní značka

Pravidelně kontrolujte uhlíky.

Jsou-li opotřebené až po mezní značku, vyměňte je. Udržujte uhlíky čisté a zajistěte, aby se mohly v držádcích volně pohybovat. Oba uhlíky by se měly vyměňovat najednou. Používejte výhradně stejné uhlíky.

1. Pomocí šroubováku odšroubujte víčka držáků uhlíků.

2. Vyměňte opotřebené uhlíky, vložte nové a opět víčka držáků uhlíků namontujte.

► **Obr.26:** 1. Víčko držáku uhlíku

## VOLITELNÉ PŘÍSLUŠENSTVÍ

**▲ UPOZORNĚNÍ:** Pro nářadí Makita popsané v tomto návodu doporučujeme používat následující příslušenství a nástavce. Při použití jiného příslušenství či nástavců může hrozit nebezpečí zranění osob. Příslušenství lze používat pouze pro stanovené účely.

Potřebujete-li bližší informace ohledně tohoto příslušenství, obraťte se na místní servisní středisko společnosti Makita.

- Brusné rozbrušovací kotouče
- Nástrčný klíč (pouze LW1401)

**POZNÁMKA:** Některé položky seznamu mohou být k nářadí přibaleny jako standardní příslušenství. Přibalené příslušenství se může v různých zemích lišit.



## ТЕХНІЧНІ ХАРАКТЕРИСТИКИ

Модель:		LW1400	LW1401
Діаметр диска		355 мм	
Макс. товщина круга		3 мм	
Діаметр отвору		25,4 мм	
Частота обертів без навантаження		3 800 хв <sup>-1</sup>	
Розміри (Д x Ш x В)	Із захисним кожухом європейського типу	530 мм x 295 мм x 640 мм	500 мм x 295 мм x 640 мм
	Із захисним кожухом типу, відмінного від європейського	530 мм x 290 мм x 640 мм	500 мм x 290 мм x 620 мм
Маса нетто	Із захисним кожухом і нижньою кришкою європейського типу	18,7 кг	18,3 кг
Клас безпеки		II	

- Оскільки наша програма наукових досліджень і розробок триває безперервно, наведені тут технічні характеристики можуть бути змінені без попередження.
- У різних країнах технічні характеристики можуть бути різними.
- Маса відповідно до EPTA-Procedure 01/2003
- Форма та маса різняться залежно від технічних характеристик для певної країни.

### Призначення

Інструмент призначено для різання чорного металу за допомогою відповідного абразивного відрізного круга. Дотримуйтеся всіх законів і нормативно-правових актів, що діють у вашій країні, щодо безпеки та охорони здоров'я під час перебування на робочих місцях і заплених територіях.

### Джерело живлення

Інструмент можна підключати лише до джерела живлення, що має напругу, зазначену в таблиці із заводськими характеристиками, і він може працювати лише від однофазного джерела змінного струму. Він має подвійну ізоляцію, а отже може також підключатися до розеток без лінії заземлення.

### Для використання від низьковольтної мережі від 220 В до 250 В

Увімкнення та вимкнення електричного приладу спричиняє коливання напруги. Експлуатація цього пристрою за несприятливих умов мережі може погано вплинути на роботу іншого обладнання. Можна припустити, що при опорі мережі 0,18 Ом або нижче ніякого негативного впливу не буде. Мережна розетка, до якої буде підключатися пристрій, повинна бути захищена запобіжником або захисним автоматичним вимикачем плавного розціплювання.

### Шум

Рівень шуму за шкалою А в типовому виконанні, визначений відповідно до стандарту EN62841:

#### Модель LW1400

Рівень звукового тиску ( $L_{pA}$ ): 102 дБ (А)  
Рівень звукової потужності ( $L_{WA}$ ): 110 дБ (А)  
Похибка (К): 3 дБ (А)

#### Модель LW1401

Рівень звукового тиску ( $L_{pA}$ ): 102 дБ (А)  
Рівень звукової потужності ( $L_{WA}$ ): 110 дБ (А)  
Похибка (К): 3 дБ (А)

**ПОПЕРЕДЖЕННЯ:** Користуйтеся засобами захисту органів слуху.

### Вібрація

Загальна величина вібрації (векторна сума трьох напрямків) визначена згідно з EN62841:

#### Модель LW1400

Вібрація ( $a_{h1}$ ): 2,5 м/с<sup>2</sup> або менше  
Похибка (К): 1,5 м/с<sup>2</sup>

#### Модель LW1401

Вібрація ( $a_{h1}$ ): 2,5 м/с<sup>2</sup> або менше  
Похибка (К): 1,5 м/с<sup>2</sup>

**ПРИМІТКА:** Заявлене значення вібрації було виміряно відповідно до стандартних методів тестування та може використовуватися для порівняння одного інструмента з іншим.

**ПРИМІТКА:** Заявлене значення вібрації може також використовуватися для попередньої оцінки впливу.

**ПОПЕРЕДЖЕННЯ:** Залежно від умов використання вібрація під час фактичної роботи електроінструмента може відрізнитися від заявленого значення вібрації.

**ПОПЕРЕДЖЕННЯ:** Забезпечте належні запобіжні заходи для захисту оператора, що відповідатимуть умовам використання інструмента (слід брати до уваги всі складові робочого циклу, такі як час, коли інструмент вимкнено та коли він починає працювати на холостому ході під час запуску).

## Декларація про відповідність стандартам ЄС

### Тільки для країн Європи

Декларацію про відповідність стандартам ЄС наведено в Додатку А до цієї інструкції з експлуатації.

## Загальні застереження щодо техніки безпеки при роботі з електроінструментами

**⚠ ПОПЕРЕДЖЕННЯ:** Уважно ознайомтеся з усіма попередженнями про дотримання правил техніки безпеки, інструкціями, ілюстраціями та технічними характеристиками, що стосуються цього електроінструмента. Невиконання будь-яких інструкцій, перелічених нижче, може призвести до ураження електричним струмом, пожежі та/або тяжких травм.

## Збережіть усі інструкції з техніки безпеки та експлуатації на майбутнє.

Термін «електроінструмент», зазначений у інструкції з техніки безпеки, стосується електроінструмента, який функціонує від електромережі (електроінструмент з кабелем живлення), або електроінструмента з живленням від батареї (безпроводний електроінструмент).

## Попередження про необхідну обережність під час роботи з відрізним інструментом

1. Працюйте з інструментом так, щоб ані ви, ані інші особи не знаходились у площині обертання круга. Захисний кожух захищає оператора від осколків зламаного круга та випадкового контакту з кругом.
2. Використовуйте лише армовані відрізи круги зі зв'язкою, призначені для вашого електроінструмента. Навіть якщо приладдя можна приєднати до електроінструмента, це не гарантує безпечної експлуатації.
3. Номінальна швидкість приладдя повинна щонайменше дорівнювати максимальній швидкості, яка вказана на електроінструменті. Приладдя, що обертається зі швидкістю, більшою за номінальну, може зламатися та відскочити.
4. Круги необхідно використовувати тільки за рекомендованим призначенням. Наприклад, не можна шліфувати бічною стороною відрізного круга. Абразивні відрізи круги призначені для шліфування периферією круга; у разі докладання бічних зусиль до цих кругів вони можуть розколотися.
5. Обов'язково використовуйте неушкоджені фланці кругів, діаметр яких відповідає вибраному кругу. Правильно підібрані фланці добре підтримують круг і таким чином зменшують імовірність його поломки.
6. Зовнішній діаметр і товщина приладдя повинні бути в межах номінальних характеристик електроінструмента. Приладдя неналежних розмірів не можна захистити або контролювати належним чином.
7. Розмір отворів кругів і фланців повинен відповідати шпинделю електроінструмента. Використання кругів і фланців з отворами, що не відповідають кріпленню електроінструмента, призводить до втрати балансу, надмірної вібрації та може спричинити втрату контролю.
8. Не можна використовувати пошкоджені круги. Перед кожним використанням перевіряйте круги на наявність стружки та тріщин. У разі падіння електроінструмента або круга огляньте їх на наявність пошкоджень або встановіть неушкоджений круг. Після огляду та встановлення круга займіть таке положення, щоб ви та сторонні особи знаходилися на відстані від круга, що обертається, після чого запустіть електроінструмент на максимальній швидкості без навантаження на одну хвилину. Під час такого пробного запуску пошкоджені круги зазвичай розпадаються на частини.
9. Використовуйте засоби індивідуального захисту. Залежно від сфери застосування необхідно користуватися захисним щитком або захисними окулярами. За необхідності носіть пілозахисну маску, засоби захисту органів слуху, рукавиці та фартух, які здатні затримувати дрібні частинки абразивного матеріалу або деталей. Засоби захисту органів зору повинні бути здатними затримувати уламки, що утворюються під час виконання різних операцій. Пілозахисна маска або респіратор повинні фільтрувати частинки, що утворюються під час роботи. Тривала дія сильного шуму може призвести до втрати слуху.
10. Сторонні особи повинні знаходитися на безпечній відстані від місця роботи. Кожна особа, яка входить до робочої зони, має носити засоби індивідуального захисту. Частинки деталі або уламки круга можуть відлетіти за межі безпосередньої зони роботи та спричинити травмування.
11. Шнур має знаходитися на відстані від приладдя, що обертається. Якщо втратити контроль, може статися перерізання або пошкодження шнура, і руку може затягнути до круга, що обертається.
12. Регулярно очищуйте вентиляційні отвори електроінструмента. Вентилятор двигуна може втягти пил усередину кожуха, а надмірне скупчення металевого порошку створює ризик ураження електричним струмом.
13. Не можна працювати з електроінструментом поблизу легкозаймистих матеріалів. Не працюйте з електроінструментом, розміщеним на займистій поверхні, наприклад на деревині. Ці матеріали можуть спалахнути від іскри.
14. Не можна використовувати приладдя, що потребує застосування охолоджувальних рідин. Використання води або інших охолоджувальних рідин може призвести до ураження електричним струмом.

## Віддача та відповідні попередження

Віддача — це раптова реакція на защемлення або чіплення круга, що обертається. Защемлення або чіплення призводять до швидкої зупинки круга, що обертається, і це у свою чергу призводить до того, що неконтрольований відрізний прилад почне примусово рухатися вгору, до оператора. Наприклад, якщо абразивний круг защемлений або зачеплений деталлю, край круга, що входить до місця защемлення, може вийти в поверхню матеріалу, що призведе до відскоку круга або віддачі. За таких умов абразивні круги можуть також зламатися. Причинами віддачі є неправильне користування електроінструментом і/або неправильні умови чи порядок експлуатації; її можна уникнути, уживши запобіжних заходів, зазначених нижче.

1. **Міцно тримайте електроінструмент і займіть таке положення, яке дозволить вам опиратися силі віддачі.** Оператор зможе контролювати силу віддачі вгору, якщо вжити належних заходів.
2. **Не допускайте розташування тіла на одній лінії з кругом, що обертається.** У разі віддачі відрізний прилад рухатиметься вгору, до оператора.
3. **Не використовуйте з цим інструментом ланцюг для пили, диск для різання деревини, сегментований алмазний диск із зазором більше 10 мм або зубчатий диск пили.** Такі круги часто спричиняють віддачу та втрату контролю.
4. **Не можна «заклинювати» круг або піддавати його надмірному тиску. Не намагайтеся зробити розріз надмірної глибини.** Надмірний тиск на круг збільшує навантаження та ризик перекошування або заклинювання круга в розрізі, а також створює можливість віддачі або поломки круга.
5. **Якщо круг застрягне або різання буде перервано з будь-якої причини, вимкніть електроінструмент й утримуйте відрізний прилад нерухомо до повної зупинки круга.** Ні в якому разі не намагайтеся витягнути круг із розрізу, поки він рухається; недотримання цієї вимоги може призвести до віддачі. Огляньте круг і вживайте необхідних заходів, щоб усунути причину його заклинювання.
6. **Забороно зовново починати операцію різання, коли круг знаходиться в робочій деталі.** Спочатку круг повинен набрати повну швидкість, лише потім його можна обережно зовново ввести в розріз. Якщо електроінструмент перезапустити, коли круг знаходиться в робочій деталі, круг може застрягти, спінутися або спричинити віддачу.
7. **Необхідно підтримувати будь-які деталі великого розміру, щоб мінімізувати ризик защемлення круга або виникнення віддачі.** Великі робочі деталі зазвичай прогинаються під власною вагою. Опори необхідно розташовувати під робочою деталлю поблизу лінії різання та поблизу краю робочої деталі з обох боків круга.

## Додаткові попередження про необхідну обережність

1. **Під час роботи остерігайтесь розлітання іскор.** Вони можуть призвести до травми або займання горючого матеріалу.
2. **Закріплюйте заготовку.** Якщо це доцільно з практичної точки зору, застосовуйте для утримання заготовки затискачі або лещата. Це забезпечить більш надійну фіксацію заготовки, аніж тримання її рукою, і звільнить обидві руки для застосування інструмента.
3. **Слід обережно закріплювати диск.**
4. **Будьте обережними, щоб не пошкодити шпіндель, фланці (особливо поверхню встановлення) або болт, інакше сам диск може поламатися.**
5. **Тримайте захисні кожухи в робочому положенні та в робочому стані.**
6. **Слід міцно триматися за ручку.**
7. **Не торкайтесь руками деталей, що обертаються.**
8. **Переконайтеся, що диск не торкається деталі перед увімкненням перемикача.**
9. **Перед кожним використанням перевірте інструмент щодо деренчання або надмірну вібрацію, яка може бути спричинена неправильним установленням або балансуванням круга.**
10. **Приберіть матеріал або сміття, які можуть зайнятися від іскри.** Переконайтеся, що іскри, розлітаючись, не травмують інших людей. Поблизу завжди повинен бути належний заповнений вогнегасник.
11. **Якщо під час роботи диск зупиняється, видає нештатні звуки або починає вібрувати, слід негайно вимкнути інструмент.**
12. **Перед тим як знімати, кріпити деталь, робочі лещата, змінювати робоче положення, кут або сам диск, обов'язково вимкніть інструмент і дочекайтеся повної зупинки диска.**
13. **Не торкайтесь деталі одразу після різання: вона може бути дуже гарячою та призвести до опіку шкіри.**
14. **Зберігайте диски тільки в сухому приміщенні.**

## ЗБЕРАГАЙТЕ ЦІ ВКАЗІВКИ.

## ВСТАНОВЛЕННЯ

**▲ ПОПЕРЕДЖЕННЯ:** Під час різання деталі цей інструмент створює іскри. Не встановлюйте цей інструмент у місцях, де можливе займання горючих і/чи вибухонебезпечних матеріалів від іскор, утворених інструментом. До початку роботи також перевірте, що біля інструмента немає матеріалів такого типу.

## Кріплення основи

Цей інструмент кріпиться двома болтами до рівної та стійкої поверхні через болтові отвори, які є в основі інструмента. Це допоможе уникнути перекидання та можливого нещасного випадку.

► **Рис.1:** 1. Отвори під болти 2. Основа

## ОПИС РОБОТИ

**⚠ОБЕРЕЖНО:** Перед тим як регулювати або перевіряти функціональність інструмента, обов'язково переконайтеся, що інструмент вимкнено й від'єднано від електромережі.

## Блокування та розблокування головної частини інструмента

Головну частину інструмента можна заблокувати. Обов'язково блокуйте головну частину, коли інструмент не використовується або переноситься на інше місце.

### Для LW1400

Для розблокування злегка вдвiть головну частину інструмента й натисніть на стопорний штифт. Для блокування встановіть стопорний штифт на місце, утримуючи головну частину інструмента в натисненому положенні.

► **Рис.2:** 1. Стопорний штифт

### Для LW1401

Зніміть із гак блокувальний ланцюг. Якщо інструмент не використовується, обов'язково зачепіть блокувальний ланцюг за гак.

► **Рис.3:** 1. Гак 2. Блокувальний ланцюг

## Дія вмикача

**⚠ПОПЕРЕДЖЕННЯ:** Перед тим як підключити інструмент до мережі, обов'язково переконайтеся, що курок вмикача належним чином спрацював та повертається в положення «ВИМК.», коли його відпускають.

► **Рис.4:** 1. Кнопка блокування / кнопка блокування вимкненого положення 2. Курок вмикача

### Для інструмента з кнопкою блокування

Щоб увімкнути інструмент, просто натисніть на курок вмикача. Щоб зупинити роботу, відпустіть курок вмикача. Для неперервної роботи натисніть на курок вмикача, потім натисніть кнопку блокування та відпустіть курок вмикача. Щоб зупинити інструмент, який заблоковано, натисніть курок до кінця, а потім відпустіть його.

**⚠ОБЕРЕЖНО:** Вмикач можна заблокувати в положенні «увімкнено» для зручності оператора в разі тривалого використання. У разі блокування інструмента в положенні «увімкнено» слід бути особливо обережним та міцно тримати інструмент.

### Для інструмента із кнопкою блокування вимкненого положення

Для запобігання випадковому натисканню курка вмикача передбачено кнопку блокування вимкненого положення. Щоб увімкнути інструмент, натисніть на кнопку блокування вимкненого положення та натисніть на курок вмикача. Щоб зупинити роботу, відпустіть курок вмикача.

**⚠ПОПЕРЕДЖЕННЯ:** ЗАБОРОНЕНО змінювати стан кнопки блокування вимкненого положення шляхом її затискання за допомогою стрічки або будь-яким іншим чином. Використання вмикача з несправною кнопкою блокування вимкненого положення може призвести до ненавмисного увімкнення та серйозних травм.

**⚠ПОПЕРЕДЖЕННЯ:** ЗАБОРОНЕНО користуватися інструментом, якщо він вмикається простим натисканням курка вмикача без натискання кнопки блокування вимкненого положення. Використання вмикача, який потребує ремонту, може спричинити ненавмисне увімкнення та серйозні травми. ПЕРЕД подальшим використанням інструмент слід передати до сервісного центру Makita для ремонту.

**УВАГА:** Ніколи не натискайте із силою на курок вмикача, якщо кнопка блокування вимкненого положення не натиснута. Це може призвести до поломки вмикача.

## Інтервал між затиском і напрямною планкою

**⚠ОБЕРЕЖНО:** Після завершення регулювання інтервалу між затиском і напрямною планкою переконайтеся, що напрямну планку надійно закріплено. Недостатнє закріплення може призвести до отримання травм.

Доступний такий діапазон налаштування інтервалу затиску:

- 0 - 170 мм (заводське налаштування)
- 35 - 205 мм
- 70 - 240 мм

Якщо для виконання роботи потрібне інше налаштування, виконайте такі дії, щоб змінити інтервал або зазор.

### Для LW1400

Відпустіть гвинт на напрямній планці. Пересуньте напрямну планку в потрібне положення, після чого затягніть гвинт.

► **Рис.5:** 1. Гвинт 2. Напрямна планка

### Для LW1401

Зніміть два болти з шестигранною головкою за допомогою торцевого ключа. Пересуньте напрямну планку в потрібне положення та закріпіть її за допомогою болтів із шестигранними головками.

► **Рис.6:** 1. Напрямна планка 2. Болти з шестигранною головкою

## Регулювання кута різання

**⚠ОБЕРЕЖНО:** Після регулювання кута напрямної планки переконайтеся, що напрямну планку надійно закріплено. Недостатнє закріплення може призвести до отримання травм.

**⚠ОБЕРЕЖНО:** Забороняється працювати з інструментом, якщо, зважаючи на кут різання, матеріал не закріплений надійним способом з використанням лещат.

## Для LW1400

Поверніть важіль проти годинникової стрілки.  
Пересуньте напрямну планку на необхідний кут і повністю затягніть важіль.

► **Рис.7:** 1. Напрямна планка 2. Важіль

## Для LW1401

**УВАГА:** Для різання під косим кутом обов'язково встановлюйте напрямну планку в положення 0 - 170 мм. У разі встановлення в положення 35 - 205 мм або 70 - 240 мм виникають перешкоди для переміщення стопорної планки, внаслідок чого результати розрізання будуть неясними.

Ослабте два болти з шестигранными головками за допомогою торцевого ключа. Поверніть напрямну планку в потрібний кут і закріпіть її болтами з шестигранными головками. Під час закріплення болтами з шестигранными головками не допускайте зміни встановленого кутового положення.

► **Рис.8:** 1. Напрямна планка 2. Болти з шестигранною головкою

**ПРИМІТКА:** Шкала на напрямній планці показує лише приблизні значення. Для встановлення більш точного кута скористайтеся кутоміром або лінійкою-трикутником. Опустіть та утримуйте ручку таким чином, щоб відрізний круг увійшов у основу. У цей час відрегулюйте кут між напрямною планкою та відрізним кругом за допомогою кутоміра або лінійки-трикутника.

## Регулювання іскрогасника

*Тільки для LW1401 (залежно від країни)*

► **Рис.9:** 1. Гвинт 2. Іскрогасник

Іскрогасник встановлюється на заводі-виробнику таким чином, щоб його нижній край торкався основи. Експлуатація інструмента в такому положенні призведе до сильного розлітання іскор. Послабте гвинт і переведіть іскрогасник у положення, за якого буде мінімальне розлітання іскор.

## Стопорна планка

*Тільки для LW1401 (залежно від країни)*

► **Рис.10:** 1. Стопорна планка

Стопорна планка служить для запобігання контакту відрізного круга з верстаком або підлогою. При встановленні нового відрізного круга переведіть стопорну планку в положення (А). Коли відрізний круг буде зношений настільки, що нижня частина деталі залишається невідрізаною, встановіть стопорну планку в положення (В). Це дозволить підвищити різальну спроможність під час використання зношеного диска.

## ЗБОРКА

**⚠ОБЕРЕЖНО:** Перед виконанням будь-яких робіт з інструментом обов'язково вимкніть його та відключіть від електромережі.

## Відкриття захисного кожуха з центральною заглушкою

*Залежно від країни*

Якщо інструмент обладнаний захисним кожухом із центральною заглушкою, спочатку ослабте затискний гвинт, а потім підніміть кожух.

► **Рис.11:** 1. Затискний гвинт

## Відкриття захисного кожуха європейського типу

*Залежно від країни*

Якщо інструмент обладнаний захисним кожухом європейського типу, спочатку ослабте затискний гвинт, а потім відкритте кожух, як показано на малюнку.

► **Рис.12:** 1. Затискний гвинт

► **Рис.13**

► **Рис.14**

## Встановлення або зняття відрізного круга

**⚠ОБЕРЕЖНО:** Обов'язково затягніть затискач, що не потребує інструмента, або болт із шестигранною головкою. Недостатнє затягування може призвести до тяжкої травми. Для належного затягування болта з шестигранною головкою застосуйте торцевий ключ, що поставляється з інструментом.

**⚠ОБЕРЕЖНО:** Слід завжди використовувати тільки внутрішні та зовнішні фланці, що поставляються в комплекті з інструментом.

**⚠ОБЕРЕЖНО:** Слід завжди опускати захисний кожух після заміни диска.

**⚠ОБЕРЕЖНО:** Працюйте з кругами в рукавичках.

► **Рис.15:** 1. Внутрішній фланець 2. Кільце 3. Ущільнювальне кільце 4. Відрізний круг 5. Зовнішній фланець 6. Затискач, що не потребує інструмента / Болт із шестигранною головкою

## Для LW1400

Підніміть захисний кожух. Поверніть затискач, що не потребує інструмента, проти годинникової стрілки, одночасно утримуючи замок вала натисненим. Потім зніміть затискач, що не потребує інструмента, зовнішній фланець і відрізний круг. Під час зняття відрізного круга не знімайте внутрішній фланець, кільце й ущільнювальне кільце.

► **Рис.16:** 1. Замок вала 2. Затискач, що не потребує інструмента

Щоб встановити відрізний круг, виконайте процедуру його зняття у зворотному порядку. Обов'язково вирівняйте отвір відрізного круга за кільцем і поверніть на місце захисний кожух.

#### Для LW1401

Підніміть захисний кожух. За допомогою торцевого ключа поверніть болт із шестигранною головкою, утримуючи замок вала натисненим. Потім видаліть болт із шестигранною головкою, зовнішній фланець і диск.

► **Рис.17:** 1. Замок вала 2. Болт із шестигранною головкою

Щоб встановити диск, виконайте процедуру його зняття у зворотному порядку. Обов'язково вирівняйте отвір відрізного круга за кільцем і поверніть на місце захисний кожух.

## РОБОТА


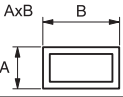
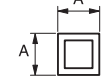

**⚠ОБЕРЕЖНО:** Належний тиск на ручку під час різання та максимальна ефективність різання можуть бути визначені за кількістю іскор, що утворюються під час різання. Не треба просувати різання із силою, занадто натискаючи на ручку. Це може призвести до погіршення результатів різання, передчасного зносу диску, а також може пошкодити інструмент, відрізний круг або деталь.

Слід міцно триматися за ручку. Увімкніть інструмент і зачекайте, доки диск набере повної швидкості, після чого обережно опустіть його в проріз. Коли диск торкнеться деталі, слід плавно натискати на ручку для виконання прорізу. Після завершення різання вимкніть інструмент і зачекайте, доки диск повністю не зупиниться, перед тим як повністю підняти ручку.

### Різальна спроможність

Максимальна різальна спроможність може бути різною залежно від кута різання та форми деталі.

**Максимальна різальна спроможність під час використання нового відрізного круга**

Кут різання Форма деталі	90°	45°
	127 мм	127 мм
	115 x 130 мм 102 x 194 мм 70 x 233 мм	115 x 103 мм
	119 x 119 мм	106 x 106 мм
	137 x 137 x 10 мм	100 x 100 x 10 мм

## Кріплення деталі

**⚠ОБЕРЕЖНО:** Закріплюючи деталь, обов'язково встановлюйте фіксатор на наріз вала. Невиконання цієї вимоги може призвести до недостатнього закріплення деталі. Це, у свою чергу, може призвести до викидання деталі або до небезпечної поломки диска.

Коли фіксатор нарізі вала піднятий, можна швидко вставити та витягнути затиску пластину. Для затиснення деталі натисніть на ручку, доки затиснена пластина не торкнеться деталі, після чого відпустіть фіксатор нарізі вала. Повертайте ручку за ходом годинникової стрілки, поки деталь не буде надійно зафіксовано.

► **Рис.18:** 1. Ручка 2. Фіксатор нарізі 3. Затиснена пластина

Коли відрізний круг вже значно зношений, за деталлю слід встановити розділювальний блок, як показано на малюнку. Зношений диск можна використовувати ефективніше, якщо для відрізання деталі використовувати середину периферії диска. Використовуйте розділювальний блок із міцного негорючого матеріалу.

► **Рис.19:** 1. Розділювальний блок

Під час різання під кутом деталей завширшки більше 85 мм, до напрямної планки слід прикласти прямий дерев'яний брусок (проставку) завдовжки більше 190 мм та завширшки 45 мм, як вказано на малюнку. Таку проставку слід закріпити за допомогою гвинтів через отвори в напрямній планці. Коли головна частина інструмента натиснена, переконайтеся, що відрізний круг не торкається проставки.

► **Рис.20:** 1. Напрямна планка 2. Брусок-проставка (завдовжки понад 190 мм та завширшки 45 мм) 3. Деталь (завширшки понад 85 мм) 4. Затиснена пластина

► **Рис.21**

Коли відрізний круг зношено, підніміть положення різання, встановивши брусок-проставку, що дещо вужчий за деталь, як показано на малюнку. Таким чином можна економічно використовувати відрізний диск.

► **Рис.22:** 1. Затиснена пластина 2. Діаметр деталі 3. Напрямна планка 4. Ширина блоку-проставки

Довгі деталі слід з обох боків підпирати блоками, зробленими з незаймистого матеріалу, щоб вони були врівень із верхом основи. Використовуйте опорні блоки з незаймистого матеріалу.

► **Рис.23:** 1. Опорний блок

## Перенесення верстата

Нахиліть і складіть головну частину інструмента, після чого заблокуйте її. Під час перенесення інструмента тримайте його за ручку.

► **Рис.24**



## ТЕХНІЧНЕ ОБСЛУГОВУВАННЯ

**⚠ ОБЕРЕЖНО:** Перед тим як проводити огляд або технічне обслуговування інструмента, переконайтеся, що його вимкнено і від'єднано від мережі.

**УВАГА:** Ніколи не використовуйте газолін, бензин, розріджувач, спирт та подібні речовини. Їх використання може призвести до зміни кольору, деформації або появи тріщин.

### Заміна вугільних щіток

► **Рис.25:** 1. Обмежувальна відмітка

Регулярно перевіряйте стан вугільних щіток. Замінійте їх, коли зношення сягає граничної відмітки. Вугільні щітки слід тримати чистими та незаблокованими, щоб вони могли заходити в тримачі. Обидві вугільні щітки слід замінити одночасно. Можна використовувати тільки ідентичні вугільні щітки.

1. Для виймання ковпачків щіткотримачів користуйтеся викруткою.
2. Зніміть зношені вугільні щітки, вставте нові та закріпіть ковпачки щіткотримачів.

► **Рис.26:** 1. Ковпачок щіткотримача

## ДОДАТКОВЕ ПРИЛАДДЯ

**⚠ ОБЕРЕЖНО:** Це додаткове та допоміжне обладнання рекомендовано використовувати з інструментом Makita, зазначеним у цій інструкції з експлуатації. Використання будь-якого іншого додаткового та допоміжного обладнання може становити небезпеку травмування. Використовуйте додаткове та допоміжне обладнання лише за призначенням.

У разі необхідності отримати допомогу в більш детальному ознайомленні з оснащенням звертайтеся до місцевого сервісного центру Makita.

- Абразивні відрізи круги
- Торцевий ключ (тільки для LW1401)

**ПРИМІТКА:** Деякі елементи списку можуть входити до комплекту інструмента як стандартне приладдя. Вони можуть відрізнитися залежно від країни.

## SPECIFICAȚII

Model:		LW1400	LW1401
Diametrul discului		355 mm	
Grosimea maximă a discului		3 mm	
Diametrul găurii		25,4 mm	
Turație în gol		3.800 min <sup>-1</sup>	
Dimensiuni (L x l x H)	Cu apărătoare tip european	530 mm x 295 mm x 640 mm	500 mm x 295 mm x 640 mm
	Cu apărătoare diferită față de tipul european	530 mm x 290 mm x 640 mm	500 mm x 290 mm x 620 mm
Greutate netă	Cu apărătoare și capac inferior de tip european	18,7 kg	18,3 kg
Clasa de siguranță		□/II	

- Datorită programului nostru continuu de cercetare și dezvoltare, specificațiile pot fi modificate fără o notificare prealabilă.
- Specificațiile pot varia în funcție de țară.
- Greutatea este specificată conform procedurii EPTA 01/2003
- Forma și greutatea diferă în funcție de specificațiile fiecărei țări în parte.

### Destinația de utilizare

Mașina este destinată tăierii materialelor feroase cu un disc abraziv pentru retezat corespunzător. Respectați toate legile și reglementările din țara dvs. privind praful și igiena și protecția muncii în zona de lucru.

### Sursă de alimentare

Mașina trebuie conectată numai la o sursă de alimentare cu curent alternativ monofazat, cu tensiunea egală cu cea indicată pe plăcuța de identificare a mașinii. Acestea au o izolație dublă și, drept urmare, pot fi utilizate de la prize fără împământare.

### Pentru sisteme publice de distribuție a energiei electrice de joasă tensiune între 220 V și 250 V

Operațiile de comutare ale aparatului electric generează fluctuații ale tensiunii. Funcționarea acestui dispozitiv în condiții de alimentare electrică nefavorabile poate afecta funcționarea altor echipamente. Cu o impedanță a rețelei electrice mai mică de 0,18 Ohmi, se poate presupune că nu vor exista efecte negative. Priza de alimentare folosită pentru acest dispozitiv trebuie să fie protejată cu o siguranță fuzibilă sau un întrerupător de protecție cu caracteristică de declanșare lentă.

### Zgomot

Nivelul de zgomot normal ponderat A determinat în conformitate cu EN62841:

#### Model LW1400

Nivel de presiune acustică ( $L_{pA}$ ): 102 dB(A)

Nivel de putere acustică ( $L_{WA}$ ): 110 dB (A)

Marjă de eroare (K): 3 dB(A)

#### Model LW1401

Nivel de presiune acustică ( $L_{pA}$ ): 102 dB(A)

Nivel de putere acustică ( $L_{WA}$ ): 110 dB (A)

Marjă de eroare (K): 3 dB(A)

**AVERTIZARE:** Purtați echipament de protecție pentru urechi.

### Vibrații

Valoarea totală a vibrațiilor (suma vectorilor tri-axiali) determinată conform EN62841:

#### Model LW1400

Emisie de vibrații ( $a_{h1}$ ): 2,5 m/s<sup>2</sup> sau mai puțin

Marjă de eroare (K): 1,5 m/s<sup>2</sup>

#### Model LW1401

Emisie de vibrații ( $a_{h1}$ ): 2,5 m/s<sup>2</sup> sau mai puțin

Marjă de eroare (K): 1,5 m/s<sup>2</sup>

**NOTĂ:** Nivelul de vibrații declarat a fost măsurat în conformitate cu metoda de test standard și poate fi utilizat pentru compararea unei uneelte cu alta.

**NOTĂ:** Nivelul de vibrații declarat poate fi, de asemenea, utilizat într-o evaluare preliminară a expunerii.

**AVERTIZARE:** Nivelul de vibrații în timpul utilizării efective a uneeltei electrice poate diferi de valoarea nivelului declarat, în funcție de modul în care unealta este utilizată.

**AVERTIZARE:** Asigurați-vă că identificați măsurile de siguranță pentru a proteja operatorul, acestea fiind bazate pe o estimare a expunerii în condiții reale de utilizare (luând în considerare toate părțile ciclului de operare, precum timpii în care unealta a fost oprită, sau a funcționat în gol, pe lângă timpul de declanșare).

### Declarație de conformitate CE

#### Numai pentru țările europene

Declarația de conformitate CE este inclusă ca Anexa A în acest manual de instrucțiuni.

## Avertisamente generale de siguranță pentru mașinile electrice

**⚠️ AVERTIZARE:** Citiți toate avertismentele privind siguranța, instrucțiunile, ilustrațiile și specificațiile furnizate cu această sculă electrică. Nerespectarea integrală a instrucțiunilor de mai jos poate cauza electrocutări, incendii și/sau vătămări corporale grave.

## Păstrați toate avertismentele și instrucțiunile pentru consultări ulterioare.

Termenul „mașină electrică” din avertizări se referă la mașinile dumneavoastră electrice acționate de la rețea (prin cablu) sau cu acumulator (fără cablu).

## Avertismente de siguranță pentru mașina de tăiat

- Atât dumneavoastră cât și persoanele din zonă trebuie să stați departe de planul discului rotativ.** Aparătorele ajută la protejerea operatorului de fragmentele discului spart și de contactul accidental cu discul.
- Utilizați doar discuri abrazive de retezat ranforsate din material compozit pentru scula dvs. electrică.** Chiar dacă un accesoriu poate fi atașat sculei electrice, operarea în siguranță nu este garantată.
- Turația nominală a accesoriului trebuie să fie cel puțin egală cu turația maximă indicată pe scula electrică.** Accesoriile utilizate la o turație superioară celei nominale se pot sparge și împrăștia.
- Discurile trebuie utilizate numai pentru aplicațiile recomandate. De exemplu: nu slefuiți cu părțile laterale ale unui disc abraziv de retezat.** Discurile abrazive de retezat sunt create pentru slefuire periferică, iar forțele aplicate pe părțile laterale ale discurilor pot cauza spargerea acestora.
- Folosiți întotdeauna flanșe de disc intacte, cu diametrul adecvat pentru discul selectat.** Flanșele de disc adecvate susțin discul reducând astfel posibilitatea de rupere a acestuia.
- Diametrul exterior și grosimea accesoriului dumneavoastră trebuie să se înscrie în capacitatea nominală a sculei electrice.** Accesoriile de dimensiuni incorecte nu pot fi protejate sau controlate în mod corespunzător.
- Dimensiunea găurilor pentru ax a discurilor și flanșelor trebuie să corespundă arborelui sculei electrice.** Discurile și flanșele cu găuri pentru ax care nu se potrivesc cu sistemul de montare al sculei electrice vor funcționa dezechilibrat, vor vibra excesiv și pot cauza pierderea controlului.
- Nu utilizați discuri deteriorate. Înainte de fiecare utilizare, inspecțiați discurile pentru a identifica eventuale deteriorări sau fisuri. Dacă scăpați pe jos scula electrică sau discul, inspecțiați-le cu privire la deteriorări sau instalați un disc intact. După inspecția și instalarea unui disc, poziționați-vă împreună cu persoanele din apropiere la distanță de planul discului rotativ și porniți scula electrică la turația maximă de mers în gol timp de un minut. Discurile deteriorate se vor sparge în mod normal pe durata acestui test.**

- Purtați echipamentul individual de protecție. În funcție de aplicație, folosiți o mască de protecție, ochelari de protecție sau viziere de protecție. Dacă este cazul, purtați o mască de protecție contra prafului, mijloace de protecție a auzului, mănuși și un șorț de lucru capabil să oprească fragmentele mici abrazive sau fragmentele piesei. Mijloacele de protecție a vederii trebuie să fie capabile să oprească resturile proiectate în aer generate la diverse operații. Masca de protecție contra prafului sau masca respiratorie trebuie să fie capabilă să filtreze particulele generate în timpul operației respective. Expunerea prelungită la zgomot foarte puternic poate provoca pierderea auzului.**
- Țineți persoanele aflate în zonă la o distanță sigură față de zona de lucru. Orice persoană care pătrunde în zona de lucru trebuie să poarte echipament individual de protecție. Fragmentele piesei prelucrate sau ale unui disc spart pot fi proiectate în jur cauzând vătămări corporale în zona imediat adiacentă zonei de lucru.**
- Poziționați cablul la distanță de accesoriul aflat în rotație. Dacă pierdeți controlul, cablul poate fi tăiat sau agățat și mâna sau brațul dumneavoastră pot fi trase în discul aflat în rotație.**
- Curățați în mod regulat fantele de ventilație ale sculei electrice. Ventilatorul motorului poate aspira praful în interiorul carcasei, iar acumulările excesive de pulberi metalice pot prezenta pericol de electrocutare.**
- Nu folosiți scula electrică în apropierea materialelor inflamabile. Nu folosiți scula electrică în timp ce aceasta este așezată pe o suprafață combustibilă, cum ar fi lemnul. Scântelele pot aprinde aceste materiale.**
- Nu folosiți accesorii care necesită agenți de răcire lichizi. Folosirea apei sau a lichidelor de răcire poate cauza electrocutări sau șocuri de tensiune.**

### Recul și avertismente asociate

Reculul este o reacție bruscă la un disc rotativ agățat sau prins. Înțepenirea sau agățarea provoacă o oprire bruscă a discului rotativ, care, la rândul său, forțează unitatea de tăiere scăpată de sub control în sus, către utilizator. De exemplu, dacă o roată abrazivă se înțepenește sau se agață în piesa de prelucrat, muchia discului care pătrunde în punctul de blocare poate săpa în suprafața materialului cauzând urcarea sau proiectarea înapoi a discului. De asemenea, roțile abrazive se pot rupe în aceste condiții. Reculul este rezultatul utilizării incorecte a sculei electrice și/sau al procedeelelor sau condițiilor de lucru necorespunzătoare, putând fi evitat prin adoptarea unor măsuri de precauție adecvate prezentate în continuare.

- Mențineți o priză fermă pe scula electrică și poziționați-vă corpul și brațele astfel încât să contracarați forțele de recul. Utilizatorul poate controla forțele de recul vertical, dacă își ia măsuri de precauție adecvate.**
- Nu vă poziționați corpul în linie cu discul aflat în rotație. Dacă are loc reculul, acesta va împinge unitatea de tăiere vertical către utilizator.**
- Nu atașați o pânză de ferăstrău cu lanț pentru scobirea lemnului, un disc diamantat segmentat cu un spațiu periferic mai mare de 10 mm sau o pânză de ferăstrău dințată. Astfel de pânze pot crea reculuri frecvente și pierderea controlului.**
- Nu „înțepeniți” discul și nici nu aplicați o presiune excesivă. Nu încercați să executați o adâncime excesivă a tăieturii. Supratensionarea discului mărește sarcina și susceptibilitatea de a torsiona sau a de a înțepeni discul în tăietură și posibilitatea de recul sau de spargere a discului.**

5. Atunci când discul este înțepenit sau când este întreruptă o tăiere din orice motiv, opriți unitatea de tăiere și țineți-o nemișcată până când discul se oprește complet. Nu încercați niciodată să scoateți discul din tăietură în timp ce acesta este în mișcare, în caz contrar, poate apărea reculul. Investigați și efectuați acțiunile corective pentru a elimina cauza înțepenirii discului.
  6. Nu reporniți operația de tăiere în piesa de prelucrat. Lăsați discul să ajungă la viteza maximă și pătrundeți din nou cu atenție în tăietură. Roata se poate înțepeni, se poate deplasa în sus sau poate provoca un recul dacă scula electrică este repornită în piesa de lucru.
  7. **Sprîjiți orice piesă de prelucrat de dimensiuni mari pentru a minimiza riscul de înțepenie și recul al discului.** Piese de prelucrat mari tind să se încovoie sub propria greutate. Sub piesa de prelucrat trebuie amplasate suporturi lângă linia de tăiere și lângă marginea piesei de prelucrat, pe ambele părți ale discului.
- Avertismente suplimentare privind siguranța**
1. Aveți grijă la scânteii în timpul lucrului. Acestea pot provoca vătămări sau aprinderea materialelor inflamabile.
  2. Asigurați piesa de prelucrat. Folosiți un dispozitiv de strângere sau o menghină pentru fixarea piesei de prelucrat atunci când este posibil. Este mai sigur decât folosirea mâinii și vă eliberează ambele mâini pentru a putea opera mașina.
  3. Fixați discul cu grijă.
  4. Aveți grijă să nu deteriorați arborele, flanșele (în special suprafața de montaj) sau șurubul, în caz contrar există risc de rupere a discului.
  5. Păstrați aparatoarele montate și în stare de funcționare.
  6. Țineți mânerul ferm.
  7. Nu atingeți piesele în mișcare.
  8. Asigurați-vă că discul nu intră în contact cu piesa de prelucrat înainte de a conecta comutatorul.
  9. Înainte de fiecare utilizare, încercați să identificați orice oscilație sau vibrație excesivă care ar putea fi cauzate de o instalare inadecvată sau un disc neechilibrat.
  10. Îndepărtați din zonă materialele sau resturile care ar putea fi aprinse de scânteii. Asigurați-vă că nu se află nicio persoană în calea scânteilor. Păstrați la îndemână un extingtor corespunzător încărcat.
  11. Dacă discul se oprește în timpul operației, dacă emite un zgomot neobișnuit sau începe să vibreze, opriți mașina imediat.
  12. Opriți întotdeauna mașina și așteptați ca discul să se oprească complet înainte de a scoate sau fixa piesa de prelucrat sau menghina, înainte de a schimba poziția de lucru, unghiul de lucru sau discul propriu-zis.
  13. Nu atingeți piesa prelucrată imediat după executarea lucrării; aceasta este extrem de fierbinte și poate provoca arsuri ale pielii.
  14. Depozitați discurile numai într-un spațiu uscat.

## PĂSTRAȚI ACESTE INSTRUCȚIUNI.

## INSTALARE

**⚠️AVERTIZARE:** Această mașină produce scânteii în timpul tăierii unei piese de lucru. Nu instalați mașina în locuri în care materialele inflamabile și/sau explozive ar putea lua foc de la scânteile generate de mașină. De asemenea, asigurați-vă că nu există astfel de materiale în jurul mașinii înainte de a începe operațiunile.

### Asigurarea bazei

Această mașină trebuie bulonată cu două bolțuri pe o suprafață plană și stabilă folosind găurile de bulonare prevăzute în talpa mașinii. Aceasta va ajuta la prevenirea răsturnării și a posibilităților vătămări corporale.

► **Fig.1:** 1. Găuri pentru bolțuri 2. Talpă

## DESCRIEREA FUNCȚIILOR

**⚠️ATENȚIE:** Asigurați-vă că ați oprit mașina și că ați deconectat-o de la rețea înainte de a o regla sau de a verifica starea sa de funcționare.

### Deblocarea/blocarea capului mașinii

Capul mașinii poate fi blocat. Blocajul întotdeauna capul mașinii în timpul transportului.

#### Pentru LW1400

Pentru a debloca, apăsați ușor pe capul mașinii și apăsați pe știftul de blocare. Pentru a bloca, introduceți la loc știftul de blocare ținând capul mașinii în jos.

► **Fig.2:** 1. Știft de blocare

#### Pentru LW1401

Scoateți lanțul de blocare din cârlig. Atașați întotdeauna lanțul de blocare de cârlig când mașina nu este folosită.

► **Fig.3:** 1. Cârlig 2. Lanț de blocare

### Acționarea întrerupătorului

**⚠️AVERTIZARE:** Înainte de a conecta mașina la rețea, verificați dacă butonul declanșator funcționează corect și dacă revine la poziția „OFF” (oprit) atunci când este eliberat.

► **Fig.4:** 1. Buton de blocare/buton de deblocare  
2. Buton declanșator

#### Pentru mașinile cu buton de blocare

Pentru a porni mașina, trageți de butonul declanșator. Eliberați butonul declanșator pentru a opri mașina.

Pentru funcționare continuă, trageți butonul declanșator, apoi apăsați butonul de blocare și eliberați butonul declanșator. Pentru a opri mașina din poziția blocată, trageți complet butonul declanșator și apoi eliberați-l.

**⚠ATENȚIE:** Comutatorul poate fi blocat în poziția "ON" (pornire) pentru confortul utilizatorului în timpul utilizării prelungite. Acordați atenție atunci când blocați mașina în poziția "ON" (pornire) și țineți mașina ferm.

#### Pentru mașinile cu buton de deblocare

Pentru a preveni acționarea accidentală a butonului declanșator, este prevăzut un buton de deblocare. Pentru a porni mașina, apăsați butonul de deblocare și trageți butonul declanșator. Eliberați butonul declanșator pentru a opri mașina.

**⚠AVERTIZARE:** Nu dezactivați NICIODATĂ butonul de deblocare prin fixare cu bandă sau prin alte mijloace. Un comutator de deblocare anulat poate duce la operarea accidentală, cauzând potențiale leziuni grave.

**⚠AVERTIZARE:** Nu utilizați NICIODATĂ mașina dacă aceasta pornește la simpla apăsare a butonului declanșator, fără a apăsa butonul de deblocare. Un comutator defect poate duce la operarea accidentală, cauzând leziuni grave. Returnați mașina la un centru de service Makita pentru efectuarea reparațiilor corespunzătoare ÎNAINTE de a continua utilizarea acesteia.

**NOTĂ:** Nu apăsați puternic butonul declanșator fără a apăsa butonul de deblocare. Comutatorul se poate rupe.

## Intervalul dintre menghină și placa de ghidare

**⚠ATENȚIE:** După reglarea intervalului dintre menghină și placa de ghidare, asigurați-vă că placa de ghidare este fixată corespunzător. Fixarea insuficientă poate cauza răniri grave.

Sunt disponibile următoarele setări pentru menghină:

- 0 - 170 mm (setare originală)
- 35 - 205 mm
- 70 - 240 mm

Dacă munca desfășurată necesită alte setări, urmați pașii de mai jos pentru reglarea intervalului de spațiu.

#### Pentru LW1400

Slăbiți șurubul de pe placa de ghidare. Deplasați placa de ghidare în poziția dorită apoi strângeți șurubul.

► Fig.5: 1. Șurub 2. Placă de ghidare

#### Pentru LW1401

Scoateți cele două șuruburi cu cap hexagonal folosind cheia tubulară. Deplasați placa de ghidare în poziția dorită apoi fixați-o cu șuruburile cu cap hexagonal.

► Fig.6: 1. Placă de ghidare 2. Șuruburi cu cap hexagonal

## Reglarea unghiului de tăiere

**⚠ATENȚIE:** După reglarea unghiului plăcii de ghidare, asigurați-vă că placa de ghidare este fixată corespunzător. Fixarea insuficientă poate cauza răniri grave.

**⚠ATENȚIE:** Nu utilizați mașina atunci când materialul nu este fixat ferm cu menghina, din cauza unghiului de tăiere.

#### Pentru LW1400

Rotiți pârghia în sens anti-orar. Deplasați placa de ghidare în unghiul dorit, apoi strângeți ferm pârghia.

► Fig.7: 1. Placă de ghidare 2. Pârghie

#### Pentru LW1401

**NOTĂ:** La efectuarea tăierii oblice, setați întotdeauna placa de ghidare în poziția 0 - 170 mm. Setarea în poziția 35 - 205 mm sau 70 - 240 mm împiedică mișcarea plăcii opritoare, ceea ce conduce la eșuarea tăierii.

Slăbiți cele două șuruburi cu cap hexagonal folosind o cheie tubulară. Rotiți placa de ghidare la unghiul dorit, apoi fixați-o cu șuruburile cu cap hexagonal. Aveți grijă să nu deplasați unghiul setat în timp ce fixați șuruburile cu cap hexagonal.

► Fig.8: 1. Placă de ghidare 2. Șuruburi cu cap hexagonal

**NOTĂ:** Gradarea de pe placa de ghidare este numai o aproximație. Pentru un unghi mai exact, folosiți un raportor sau un echer. Țineți mânerul jos astfel încât discul abraziv pentru retezat să se extindă în talpă. În același timp, reglați unghiul dintre placa de ghidare și discul abraziv pentru retezat cu un raportor sau un echer.

## Reglarea apărătoarei pentru scânteii

**Numai pentru LW1401 (în funcție de țară)**

► Fig.9: 1. Șurub 2. Apărătoare pentru scânteii

Apărătoarea pentru scânteii este instalată din fabrică cu muchia sa inferioară în contact cu talpa. Utilizarea mașinii în această poziție va provoca împrăștierea unui număr mare de scânteii. Slăbiți șurubul și reglați apărătoarea pentru scânteii într-o poziție în care numărul scânteilor să fie minim.

## Placă opritoare

**Numai pentru LW1401 (în funcție de țară)**

► Fig.10: 1. Placă opritoare

Placa opritoare împiedică contactul discului abraziv de retezat cu masa de lucru sau podeaua. Când se montează un disc abraziv de retezat nou, setați placa opritoare în poziția (A). După ce discul abraziv de retezat se uzează până în punctul în care secțiunea inferioară a piesei de lucru rămâne netăiată, setați placa opritoare în poziția (B) pentru a permite creșterea capacității de tăiere cu un disc abraziv de rețezare uzat.

# ASAMBLARE

**⚠ATENȚIE:** Asigurați-vă că ați oprit mașina și că ați deconectat-o de la rețea înainte de a efectua vreo intervenție asupra mașinii.

## Deschiderea apărătoarei de tip capac central

### Diferă în funcție de țară

În cazul mașinilor echipate cu apărătoare de tip capac central, slăbiți întâi șurubul de strângere, apoi ridicați apărătoarea.

► Fig.11: 1. Șurub de strângere

## Deschiderea apărătoarei tip european

### Diferă în funcție de țară

În cazul mașinilor echipate cu apărătoare de tip european, slăbiți întâi șurubul de strângere, apoi ridicați apărătoarea după cum se arată în imagine.

► Fig.12: 1. Șurub de strângere

► Fig.13

► Fig.14

## Demontarea sau montarea discului abraziv de retezat

**⚠ATENȚIE:** Aveți grijă să strângeți ferm șurubul cu strângere manuală șurubul cu cap hexagonal. Strângerea insuficientă poate provoca vătămări corporale grave. La strângerea șurubului hexagonal, folosiți cheia tubulară furnizată împreună cu mașina, pentru a asigura o strângere corespunzătoare.

**⚠ATENȚIE:** Folosiți întotdeauna numai flanșele interioare și exterioare adecvate care sunt livrate cu mașina.

**⚠ATENȚIE:** Coborâți întotdeauna apărătoarea după înlocuirea discului.

**⚠ATENȚIE:** Purtați mănuși când manevrați discurile.

► Fig.15: 1. Flanșă interioară 2. Inel 3. Garnitură inelară 4. Disc abraziv de retezat 5. Flanșă exterioară 6. Șurub cu strângere manuală / Șurub cu cap hexagonal

### Pentru LW1400

Ridicați apărătoarea. Rotiți șurubul cu strângere manuală în sens anti-orar în timp ce mențineți apăsat pârghia de blocare a axului. Îndepărtați șurubul cu strângere manuală, flanșa exterioară și discul abraziv de retezare. La îndepărtarea discului abraziv de retezare, nu scoateți flanșa interioară și nici garnitura sau garnitura inelară.

► Fig.16: 1. Pârghie de blocare a axului 2. Șurub cu strângere manuală

Pentru a monta discul abraziv de retezare, executați în ordine inversă operațiile de demontare. Asigurați-vă că gaura discului abraziv de retezare se potrivește perfect la inel și puneți la loc apărătoarea.

### Pentru LW1401

Ridicați apărătoarea. Rotiți șurubul cu cap hexagonal în sens anti-orar folosind o cheie tubulară în timp ce mențineți apăsat pârghia de blocare a axului. Apoi îndepărtați șurubul cu cap hexagonal, flanșa exterioară și discul.

► Fig.17: 1. Pârghie de blocare a axului 2. Șurub cu cap hexagonal

Pentru a monta discul, executați în ordine inversă operațiile de demontare. Asigurați-vă că gaura discului abraziv de retezare se potrivește perfect la inel și puneți la loc apărătoarea.

# OPERAREA

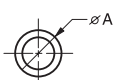
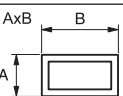
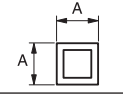

**⚠ATENȚIE:** Apăsarea corespunzătoare a mânerului și eficiența maximă a tăierii pot fi determinate prin numărul de scântei produse în timpul tăierii. Nu forțați tăierea prin aplicarea unei presiuni excesive asupra mânerului. Efectele ar putea fi o eficiență scăzută a tăierii, uzare prematură a discului, precum și posibile deteriorări ale mașinii, discului abraziv de retezat sau piesei de prelucrat.

Țineți mânerul ferm. Porniți mașina și așteptați până când discul atinge viteza maximă înainte de a o coborî lent în tăietură. Când discul atinge piesa de prelucrat, apăsați gradual pe mâner pentru a executa tăierea. După finalizarea tăierii, opriți mașina și așteptați până când discul se oprește complet înainte de a readuce discul în poziția complet ridicată.

## Capacitate de debitare

Capacitatea maximă de debitare diferă în funcție unghiul de tăiere și forma piesei de prelucrat.

### Capacitate maximă de debitare cu un disc abraziv de retezare nou

Unghi de debitare / Forma piesei	90°	45°
	127 mm	127 mm
	115 x 130 mm 102 x 194 mm 70 x 233 mm	115 x 103 mm
	119 x 119 mm	106 x 106 mm
	137 x 137 x 10 mm	100 x 100 x 10 mm



## Fixarea piesei de prelucrat

**ATENȚIE:** Amplasați întotdeauna suportul axului pe axul pârghiei când fixați o piesă de lucru. În caz contrar este posibil ca piesa de prelucrat să nu fie fixată suficient. Aceasta poate provoca ejec-tarea piesei sau ruperea periculoasă a discului.

În timp ce suportul axului este ridicat, placa menghinei poate glisa înainte și înapoi rapid. Pentru a prinde o piesă de lucru, apăsați mânerul până când placa men-ghinei lovește piesa de lucru, apoi puneți la loc suportul axului. Rotiți mânerul în sens orar până când piesa de lucru este fixată corespunzător.

► **Fig.18:** 1. Mâner 2. Suport ax 3. Placa menghinei

Când discul abraziv de retezat s-a uzat considerabil, folosiți un bloc distanțier în spatele piesei, după cum se vede în figură. Puteți utiliza mai eficient discul uzat prin folosirea punctului median de pe periferia discului pen-tru a tăia piesa. Folosiți un material rigid neinflamabil pe post de bloc distanțier.

► **Fig.19:** 1. Bloc distanțier

Când tăiați piese de peste 85 mm lățime sub un unghi, atașați o bucată dreaptă de lemn (distanțier) de peste 190 mm lungime x 45 mm lățime la placa de ghidare după cum se vede în figură. Fixați acest distanțier cu șuruburi prin găurile din placa de ghidare. Asigurați-vă că discul abraziv de retezare nu intră în contact cu distanțierul când capul mașinii este apăsat.

► **Fig.20:** 1. Placă de ghidare 2. Bloc distanțier (lungime de peste 190 mm x lățime de peste 45 mm) 3. Piesă de lucru (lățime de peste 85 mm) 4. Placa menghinei

► **Fig.21**

După ce discul abraziv de retezare s-a uzat, ridicați poziția de tăiere punând un bloc distanțier puțin mai îngust decât piesa de lucru, după cum se vede în figură. Acest lucru va ajuta în utilizarea economică a discului.

► **Fig.22:** 1. Placa menghinei 2. Diametrul piesei de lucru 3. Placă de ghidare 4. Lățimea blocu-lui distanțier

Piesele lungi trebuie sprijinite pe fiecare parte cu blocuri astfel încât să fie la același nivel cu suprafața tălpii. Folosiți numai materiale neinflamabile pe post de blo-curi susținere.

► **Fig.23:** 1. Bloc de susținere

## Transportarea mașinii

Pliati și blocați capul mașinii. În timpul transportului apucați mașina de mâner.

► **Fig.24**

## ÎNȚEȚINERE

**ATENȚIE:** Asigurați-vă că ați oprit mașina și că ați deconectat-o de la rețea înainte de a efectua operațiuni de inspecție sau întreținere.

**NOTĂ:** Nu utilizați niciodată gazolină, benzină, diluant, alcool sau alte substanțe asemănătoare. În caz contrar, pot rezulta decolorări, deformări sau fisuri.

## Înlocuirea periiilor de cărbune

► **Fig.25:** 1. Marcaj limită

Verificați periiile de cărbune în mod regulat. Înlocuiți-le atunci când s-au uzat până la marcajul limită. Periiile de cărbune trebuie să fie în permanență curate și să alunece cu ușurință în suport. Ambele perii de cărbune trebuie înlocuite simultan. Folosiți numai perii de cărbune identice.

1. Folosiți o șurubelniță pentru a demonta capacele suporturilor pentru perii.

2. Scoateți periiile de carbon uzate, introduceți periiile noi și fixați capacul pentru periiile de cărbune.

► **Fig.26:** 1. Capacul suportului pentru perii

## ACCESORII OPȚIONALE

**ATENȚIE:** Folosiți accesoriile sau piesele auxiliare recomandate pentru mașina dumneavoastră Makita în acest manual. Utilizarea oricăror alte accesorii sau piese auxiliare poate prezenta risc de vătămare corporală. Utilizați accesoriile și piesele auxiliare numai în scopul destinat.

Dacă aveți nevoie de asistență sau de mai multe detalii referitoare la aceste accesorii, adresați-vă centrului local de service Makita.

- Discuri abrazive de retezat
- Cheie tubulară (numai pentru LW1401)

**NOTĂ:** Unele articole din listă pot fi incluse ca accesorii standard în ambalajul de scule. Acestea pot diferi în funcție de țară.

## TECHNISCHE DATEN

Modell:		LW1400	LW1401
Scheibendurchmesser		355 mm	
Max. Scheibendicke		3 mm	
Lochdurchmesser		25,4 mm	
Leerlaufdrehzahl		3.800 min <sup>-1</sup>	
Abmessungen (L x B x H)	Mit Schutzhaube für europäische Vorschriften	530 mm x 295 mm x 640 mm	500 mm x 295 mm x 640 mm
	Mit Schutzhaube für andere Vorschriften außer den europäischen	530 mm x 290 mm x 640 mm	500 mm x 290 mm x 620 mm
Nettogewicht	Mit Schutzhaube für europäische Vorschriften und Unterabdeckung	18,7 kg	18,3 kg
Sicherheitsklasse		□/II	

- Wir behalten uns vor, Änderungen der technischen Daten im Zuge der Entwicklung und des technischen Fortschritts ohne vorherige Ankündigung vorzunehmen.
- Die technischen Daten können von Land zu Land unterschiedlich sein.
- Gewicht nach EPTA-Verfahren 01/2003
- Form und Gewicht hängen von den technischen Daten ab, die je nach Land unterschiedlich sind.

### Vorgesehene Verwendung

Das Werkzeug ist zum Schneiden von Eisenmaterial mit einer geeigneten Trennschleifscheibe vorgesehen. Befolgen Sie alle Gesetze und Bestimmungen Ihres Landes bezüglich Staub, Gesundheit am Arbeitsplatz und Sicherheit.

### Stromversorgung

Das Werkzeug sollte nur an eine Stromquelle angeschlossen werden, deren Spannung mit der Angabe auf dem Typenschild übereinstimmt, und kann nur mit Einphasen-Wechselstrom betrieben werden. Diese sind doppelt schutzisoliert und können daher auch an Steckdosen ohne Erdleiter verwendet werden.

### Für öffentliche Niederspannungs-Verteilungssysteme mit einer Spannung zwischen 220 V und 250 V

Schaltvorgänge von Elektrogeräten verursachen Spannungsschwankungen. Der Betrieb dieses Gerätes unter ungünstigen Netzstrombedingungen kann sich nachteilig auf den Betrieb anderer Geräte auswirken. Bei einer Netzstromimpedanz von 0,18 Ohm oder weniger ist anzunehmen, dass keine negativen Effekte auftreten. Die für dieses Gerät verwendete Netzsteckdose muss durch eine Sicherung oder einen Schutzschalter mit trägen Auslösungseigenschaften geschützt sein.

### Geräusch

Typischer A-bewerteter Geräuschpegel ermittelt gemäß EN62841:

#### Modell LW1400

Schalldruckpegel (L<sub>pA</sub>): 102 dB (A)  
Schallleistungspegel (L<sub>WA</sub>): 110 dB (A)  
Messunsicherheit (K): 3 dB (A)

#### Modell LW1401

Schalldruckpegel (L<sub>pA</sub>): 102 dB (A)  
Schallleistungspegel (L<sub>WA</sub>): 110 dB (A)  
Messunsicherheit (K): 3 dB (A)

**⚠️ WARNUNG:** Einen Gehörschutz tragen.

### Schwingungen

Schwingungsgesamtwert (Drei-Achsen-Vektorsumme) ermittelt gemäß EN62841:

#### Modell LW1400

Schwingungsemission (a<sub>v</sub>): 2,5 m/s<sup>2</sup> oder weniger  
Messunsicherheit (K): 1,5 m/s<sup>2</sup>

#### Modell LW1401

Schwingungsemission (a<sub>v</sub>): 2,5 m/s<sup>2</sup> oder weniger  
Messunsicherheit (K): 1,5 m/s<sup>2</sup>

**HINWEIS:** Der angegebene Schwingungsemissionswert wurde im Einklang mit der Standardprüfmethode gemessen und kann für den Vergleich zwischen Werkzeugen herangezogen werden.

**HINWEIS:** Der angegebene Schwingungsemissionswert kann auch für eine Vorbewertung des Gefährdungsgrads verwendet werden.

**⚠️ WARNUNG:** Die Schwingungsemission während der tatsächlichen Benutzung des Elektrowerkzeugs kann je nach der Benutzungsweise des Werkzeugs vom angegebenen Emissionswert abweichen.

**⚠️ WARNUNG:** Identifizieren Sie Sicherheitsmaßnahmen zum Schutz des Benutzers anhand einer Schätzung des Gefährdungsgrads unter den tatsächlichen Benutzungsbedingungen (unter Berücksichtigung aller Phasen des Arbeitszyklus, wie z. B. Ausschalt- und Leerlaufzeiten des Werkzeugs zusätzlich zur Betriebszeit).

## EG-Konformitätserklärung

### Nur für europäische Länder

Die EG-Konformitätserklärung ist als Anhang A in dieser Bedienungsanleitung enthalten.

## Allgemeine Sicherheitswarnungen für Elektrowerkzeuge

**⚠️ WARNUNG:** Lesen Sie alle mit diesem Elektrowerkzeug gelieferten Sicherheitswarnungen, Anweisungen, Abbildungen und technischen Daten durch. Eine Missachtung der unten aufgeführten Anweisungen kann zu einem elektrischen Schlag, Brand und/oder schweren Verletzungen führen.

## Bewahren Sie alle Warnungen und Anweisungen für spätere Bezugnahme auf.

Der Ausdruck „Elektrowerkzeug“ in den Warnhinweisen bezieht sich auf Ihr mit Netzstrom (mit Kabel) oder Akku (ohne Kabel) betriebenes Elektrowerkzeug.

## Sicherheitswarnungen für Trennschleifmaschine

- Achten Sie darauf, dass Sie selbst und Umstehende nicht in der Ebene der rotierenden Trennscheibe stehen.** Die Schutzhaube schützt den Bediener vor Trennscheiben-Bruchstücken und versehentlichem Kontakt mit der Trennscheibe.
- Verwenden Sie nur kunstharzgebundene faserverstärkte Trennscheiben für Ihr Elektrowerkzeug.** Die bloße Tatsache, dass ein Zubehörteil an Ihrem Elektrowerkzeug angebracht werden kann, gewährleistet noch keinen sicheren Betrieb.
- Die Nenndrehzahl des Zubehöerteils muss mindestens der am Elektrowerkzeug angegebenen Maximaldrehzahl entsprechen.** Zubehörteile, die schneller als ihre Nenndrehzahl rotieren, können bersten und auseinander fliegen.
- Scheiben dürfen nur für empfohlene Anwendungen eingesetzt werden. Zum Beispiel: Nicht mit der Seite einer Trennscheibe schleifen.** Trennschleifscheiben sind für Peripherieschleifen vorgesehen. Falls seitliche Kräfte auf diese Scheiben einwirken, können sie zerbrechen.
- Verwenden Sie stets unbeschädigte Scheibenflansche des korrekten Durchmessers für die ausgewählte Trennscheibe.** Korrekte Scheibenflansche stützen die Trennscheibe und reduzieren somit die Möglichkeit eines Scheibenbruchs.
- Außendurchmesser und Dicke des Zubehöerteils müssen innerhalb der Kapazitätsgrenzen Ihres Elektrowerkzeugs liegen.** Zubehörteile der falschen Größe können nicht angemessen geschützt oder kontrolliert werden.
- Die Spindelbohrung von Trennscheiben und Flanschen muss genau der Spindel des Elektrowerkzeugs angepasst sein.** Trennscheiben und Flansche, deren Spindelbohrung nicht genau auf den Montageflansch des Elektrowerkzeugs passt, laufen unruhig, vibrieren übermäßig und können einen Verlust der Kontrolle verursachen.

- Verwenden Sie keine beschädigten Trennscheiben.** Überprüfen Sie die Trennscheiben vor jeder Benutzung auf Absplitterungen und Risse. Falls das Elektrowerkzeug oder die Trennscheibe herunterfällt, überprüfen Sie das Teil auf Beschädigung, oder montieren Sie eine unbeschädigte Trennscheibe. Achten Sie nach der Überprüfung und Installation der Trennscheibe darauf, dass Sie selbst und Umstehende nicht in der Rotationsebene der Trennscheibe stehen, und lassen Sie das Elektrowerkzeug eine Minute lang mit maximaler Leerlaufdrehzahl laufen. Beschädigte Trennscheiben brechen normalerweise während dieses Probelaufs auseinander.
- Tragen Sie persönliche Schutzausrüstung. Benutzen Sie je nach der Arbeit einen Gesichtsschutz bzw. eine Sicherheits- oder Schutzbrille. Tragen Sie bei Bedarf eine Staubmaske, Ohrschützer, Handschuhe und eine Arbeitsschürze, die in der Lage ist, kleine Schleifpartikel oder Werkstücksplitter abzuwehren.** Der Augenschutz muss in der Lage sein, den bei verschiedenen Arbeiten anfallenden Flugstaub abzuwehren. Die Staubmaske oder Atemschutzmaske muss in der Lage sein, durch die Arbeit erzeugte Partikel herauszufiltern. Lang anhaltende Lärmbelastung kann zu Gehörschäden führen.
- Halten Sie Umstehende in sicherem Abstand vom Arbeitsbereich. Jeder, der den Arbeitsbereich betritt, muss persönliche Schutzausrüstung tragen.** Bruchstücke des Werkstücks oder einer beschädigten Trennscheibe können weggeschleudert werden und Verletzungen über den unmittelbaren Arbeitsbereich hinaus verursachen.
- Halten Sie das Kabel vom rotierenden Zubehöerteil fern.** Falls Sie die Kontrolle verlieren, kann das Kabel durchgetrennt oder erfasst werden, so dass Ihre Hand oder Ihr Arm in die rotierende Trennscheibe hineingezogen wird.
- Reinigen Sie die Ventilationsöffnungen des Elektrowerkzeugs regelmäßig.** Der Lüfter des Motors kann Staub in das Gehäuse ansaugen, und starke Ablagerungen von Metallstaub können elektrische Gefahren verursachen.
- Betreiben Sie das Elektrowerkzeug nicht in der Nähe von brennbaren Materialien. Betreiben Sie das Elektrowerkzeug nicht, während es auf einer brennbaren Oberfläche, wie z. B. Holz, liegt.** Funken könnten diese Materialien entzünden.
- Verwenden Sie keine Zubehörteile, die Kühlfähigkeiten erfordern.** Die Verwendung von Wasser oder anderen Kühlfähigkeiten kann zu einem Stromtod oder Stromschlag führen.

### Warnungen vor Rückschlag und damit zusammenhängenden Gefahren

Rückschlag ist eine plötzliche Reaktion auf eine eingeklemmte oder stockende Trennscheibe. Klemmen oder Hängenbleiben verursacht ruckartiges Stocken der rotierenden Trennscheibe, was wiederum dazu führt, dass das außer Kontrolle geratene Schneidelement nach oben in Richtung des Bedieners geschleudert wird. Wenn beispielsweise eine Schleifscheibe vom Werkstück erfasst oder eingeklemmt wird, kann sich die in den Klemmpunkt eindringende Schleifscheibenkante in die Materialoberfläche bohren, so dass sie herausspringt oder zurückschlägt. Schleifscheiben können unter solchen Bedingungen auch brechen. Rückschlag ist das Resultat falscher Handhabung des Elektrowerkzeugs und/oder falscher Arbeitsverfahren und -bedingungen und kann durch Anwendung der nachstehenden Vorsichtsmaßnahmen vermieden werden.

1. **Halten Sie das Elektrowerkzeug mit festem Griff, und positionieren Sie Ihren Körper und Arm so, dass Sie die Rückschlagkräfte auffangen können.** Nach oben gerichtete Rückschlagkräfte können kontrolliert werden, wenn entsprechende Vorkehrungen getroffen werden.
2. **Stellen Sie sich nicht so, dass sich Ihr Körper in einer Linie mit der rotierenden Trennscheibe befindet.** Falls ein Rückschlag auftritt, wird das Schneidelement nach oben auf den Bediener zu geschleudert.
3. **Bringen Sie keine Sägeketten, Holzfräsen, Segment-Diamantscheiben mit einem Randspalt von mehr als 10 mm oder gezahnte Sägeblätter an.** Solche Sägeblätter verursachen häufige Rückschläge und Verlust der Kontrolle.
4. **Vermeiden Sie „Verkanten“ der Trennscheibe oder die Ausübung übermäßigen Drucks. Versuchen Sie nicht, übermäßig tiefe Schnitte zu machen.** Überbeanspruchung der Trennscheibe erhöht die Belastung und die Empfänglichkeit für Verdrehen oder Klemmen der Trennscheibe im Schnitt sowie die Möglichkeit von Rückschlag oder Scheibenbruch.
5. **Falls die Trennscheibe klemmt oder der Schnitt aus irgendeinem Grund unterbrochen wird, schalten Sie das Elektrowerkzeug aus und halten Sie es bewegungslos im Werkstück, bis die Trennscheibe zum völligen Stillstand kommt. Versuchen Sie auf keinen Fall, die rotierende Trennscheibe aus dem Schnitt zu entfernen, weil sonst ein Rückschlag auftreten kann.** Nehmen Sie eine Überprüfung vor, und treffen Sie Abhilfemaßnahmen, um die Ursache von Trennscheiben-Klemmen zu beseitigen.
6. **Setzen Sie den Schnittbetrieb nicht mit im Werkstück sitzender Trennscheibe fort. Führen Sie die Trennscheibe vorsichtig in den Schnitt ein, nachdem sie die volle Drehzahl erreicht hat.** Wird das Elektrowerkzeug mit im Werkstück sitzender Trennscheibe eingeschaltet, kann die Trennscheibe klemmen, hochsteigen oder zurückschlagen.
7. **Stützen Sie übergroße Werkstücke ab, um die Gefahr von Klemmen oder Rückschlag der Trennscheibe zu minimieren.** Große Werkstücke neigen dazu, unter ihrem Eigengewicht durchzuhängen. Die Stützen müssen beidseitig der Trennscheibe nahe der Schnittlinie und in der Nähe der Werkstückkante unter das Werkstück platziert werden.

#### Zusätzliche Sicherheitswarnungen

1. **Nehmen Sie sich während des Betriebs vor Funkenflug in Acht.** Funken können Verletzungen verursachen oder brennbares Material entzünden.
2. **Werkstück sichern. Sichern Sie das Werkstück nach Möglichkeit mit Klemmen oder einem Schraubstock.** Dies ist sicherer als Handhaltung, und außerdem haben Sie beide Hände zur Bedienung des Werkzeugs frei.
3. **Befestigen Sie die Scheibe sorgfältig.**
4. **Achten Sie darauf, dass Spindel, Flansch (insbesondere die Montagefläche) oder die Schraube nicht beschädigt werden. Eine Beschädigung dieser Teile kann u. U. zum Bruch der Scheibe führen.**

5. **Schutzhauben müssen angebracht und in gutem Betriebszustand sein.**
6. **Halten Sie den Handgriff mit festem Griff.**
7. **Halten Sie die Hände von rotierenden Teilen fern.**
8. **Vergewissern Sie sich vor dem Einschalten des Werkzeugs, dass die Schleifscheibe nicht das Werkstück berührt.**
9. **Achten Sie vor jedem Gebrauch auf Flattern oder übermäßige Vibrationen, die durch schlechte Installation oder eine schlecht ausgewuchtete Trennscheibe verursacht werden.**
10. **Säubern Sie den Bereich von Material oder Abfällen, die durch Funken entzündet werden können. Achten Sie darauf, dass sich keine Personen in der Funkenflugbahn befinden. Halten Sie einen vorschrittsmäßig gefüllten Feuerlöscher griffbereit.**
11. **Falls die Trennscheibe während des Betriebs stockt, ein merkwürdiges Geräusch erzeugt oder zu vibrieren beginnt, schalten Sie das Werkzeug sofort aus.**
12. **Schalten Sie stets das Werkzeug aus, und warten Sie, bis die Trennscheibe zum vollständigen Stillstand gekommen ist, bevor Sie das Werkstück entfernen oder befestigen, den Schraubstock betätigen, die Arbeitsposition oder den Winkel ändern, oder die Trennscheibe auswechseln.**
13. **Berühren Sie das Werkstück nicht unmittelbar nach der Trennarbeit, da es sehr heiß ist und Hautverbrennungen verursachen kann.**
14. **Lagern Sie Trennscheiben nur an einem trockenen Ort.**

## DIESE ANWEISUNGEN AUFBEWAHREN.

## INSTALLATION

**⚠️ WARNUNG:** Dieses Werkzeug erzeugt Funken beim Schneiden eines Werkstücks. Installieren Sie dieses Werkzeug nicht an Orten, an denen brennbare und/oder explosive Materialien durch die vom Werkzeug erzeugten Funken entzündet werden könnten. Vergewissern Sie sich vor Arbeitsbeginn auch, dass sich keine derartigen Materialien in der Nähe des Werkzeugs befinden.

## Sichern der Grundplatte

Dieses Werkzeug sollte unter Verwendung der Schraubenbohrungen in der Grundplatte mit zwei Schrauben auf einer ebenen und stabilen Oberfläche befestigt werden. Dies trägt zur Vermeidung von Umkippen und möglichen Verletzungen bei.

► **Abb.1:** 1. Schraubenbohrungen 2. Grundplatte

# FUNKTIONSBESCHREIBUNG

**⚠ VORSICHT:** Vergewissern Sie sich vor jeder Einstellung oder Funktionsprüfung des Werkzeugs stets, dass es ausgeschaltet und vom Stromnetz getrennt ist.

## Entriegeln/Verriegeln des Werkzeugkopfes

Der Werkzeugkopf kann verriegelt werden. Verriegeln Sie stets den Werkzeugopf, wenn Sie das Werkzeug nicht benutzen oder tragen.

### Für LW1400

Zum Entriegeln den Werkzeugkopf leicht niederdrücken, und den Arretierstift hineindrücken. Zum Verriegeln den Arretierstift zurückstellen, während der Werkzeugopf niedergedrückt gehalten wird.

► **Abb.2:** 1. Arretierstift

### Für LW1401

Hängen Sie die Sicherungskette aus dem Haken aus. Hängen Sie die Sicherungskette stets in den Haken ein, wenn Sie das Werkzeug nicht benutzen.

► **Abb.3:** 1. Haken 2. Sicherungskette

## Schalterfunktion

**⚠ WARNUNG:** Vergewissern Sie sich vor dem Anschließen des Werkzeugs an das Stromnetz stets, dass der Ein-Aus-Schalter ordnungsgemäß funktioniert und beim Loslassen in die AUS-Stellung zurückkehrt.

► **Abb.4:** 1. Arretierknopf / Einschaltsperrknopf  
2. Ein-Aus-Schalter

### Für Werkzeug mit Arretierknopf

Zum Einschalten des Werkzeugs einfach den Ein-Aus-Schalter drücken. Zum Ausschalten den Ein-Aus-Schalter loslassen. Für Dauerbetrieb den Ein-Aus-Schalter betätigen, den Arretierknopf hineindrücken, und dann den Ein-Aus-Schalter loslassen. Zum Austragen der Sperre den Ein-Aus-Schalter bis zum Anschlag hineindrücken und dann loslassen.

**⚠ VORSICHT:** Der Schalter kann zur Arbeiterleichterung bei längerem Einsatz in der EIN-Stellung verriegelt werden. Lassen Sie Vorsicht walten, wenn Sie den Schalter in der EIN-Stellung verriegeln, und halten Sie das Werkzeug mit festem Griff.

### Für Werkzeug mit Einschaltsperrknopf

Um versehentliche Betätigung des Ein-Aus-Schalters zu verhindern, ist das Werkzeug mit einem Einschaltsperrknopf ausgestattet. Betätigen Sie zum Starten des Werkzeugs den Ein-Aus-Schalter bei gedrücktem Einschaltsperrknopf. Zum Ausschalten den Ein-Aus-Schalter loslassen.

**⚠ WARNUNG:** Versuchen Sie NIEMALS, den Einschaltsperrknopf mit Klebeband oder anderen Mitteln unwirksam zu machen. Ein Schalter mit unwirksamen Einschaltsperrknopf kann zu ungewolltem Betrieb und daraus resultierenden schweren Personenschäden führen.

**⚠ WARNUNG:** Betreiben Sie das Werkzeug NIEMALS, wenn es durch einfache Betätigung des Ein-Aus-Schalters eingeschaltet werden kann, ohne den Einschaltsperrknopf zu drücken. Ein reparaturbedürftiger Schalter kann zu ungewolltem Betrieb und daraus resultierenden schweren Personenschäden führen. Lassen Sie das Werkzeug von einer Makita-Kundendienststelle ordnungsgemäß reparieren, BEVOR Sie es weiter benutzen.

**ANMERKUNG:** Betätigen Sie den Ein-Aus-Schalter nicht gewaltsam, ohne den Einschaltsperrknopf hineinzudrücken. Dies kann zu Beschädigung des Schalters führen.

## Spannbereich zwischen Schraubstock und Führungsplatte

**⚠ VORSICHT:** Vergewissern Sie sich nach der Einstellung des Spannbereichs zwischen Schraubstock und Führungsplatte, dass die Führungsplatte ordnungsgemäß gesichert ist. Unzureichende Sicherung kann zu Personenschäden führen.

Die folgenden Spannbereichseinstellungen des Schraubstocks sind verfügbar:

- 0 - 170 mm (Original-Einstellung)
- 35 - 205 mm
- 70 - 240 mm

Falls Ihre Arbeit eine andere Einstellung erfordert, ändern Sie den Abstand oder den Spannbereich nach dem folgenden Verfahren.

### Für LW1400

Lösen Sie die Schrauben an der Führungsplatte. Verschieben Sie die Führungsplatte zur gewünschten Position, und ziehen Sie dann die Schraube fest.

► **Abb.5:** 1. Schraube 2. Führungsplatte

### Für LW1401

Entfernen Sie die zwei Sechskantschrauben mit einem Steckschlüssel. Verschieben Sie die Führungsplatte zur gewünschten Position, und sichern Sie sie mit den Sechskantschrauben.

► **Abb.6:** 1. Führungsplatte 2. Sechskantschrauben

## Einstellung des Schnittwinkels

**⚠ VORSICHT:** Vergewissern Sie sich nach der Einstellung des Winkels der Führungsplatte, dass die Führungsplatte ordnungsgemäß gesichert ist. Unzureichende Sicherung kann zu Personenschäden führen.

**⚠ VORSICHT:** Betätigen Sie das Werkzeug nicht, wenn das Material wegen des Schnittwinkels nicht einwandfrei mit dem Schraubstock gesichert ist.

## Für LW1400

Drehen Sie den Hebel entgegen dem Uhrzeigersinn. Verschieben Sie die Führungsplatte auf den gewünschten Winkel, und ziehen Sie den Hebel vollständig fest.

► **Abb.7:** 1. Führungsplatte 2. Hebel

## Für LW1401

**ANMERKUNG:** Wenn Sie einen rechten Gehrungsschnitt durchführen, stellen Sie die Führungsplatte immer auf die Position 0 - 170 mm. Eine Einstellung auf die Position 35 - 205 mm oder 70 - 240 mm behindert die Bewegung der Anschlagplatte, was zu einem Fehlschnitt führt.

Lösen Sie die zwei Sechskantschrauben mit einem Steckschlüssel. Drehen Sie die Führungsplatte auf den gewünschten Winkel, und sichern Sie sie mit den Sechskantschrauben. Achten Sie darauf, dass der eingestellte Winkel beim Anziehen der Sechskantschrauben nicht verstellt wird.

► **Abb.8:** 1. Führungsplatte 2. Sechskantschrauben

**HINWEIS:** Die Skala auf der Führungsplatte ist nur eine Grobanzeige. Um den Winkel genauer einzustellen, verwenden Sie einen Winkelmesser oder ein Geodreieck. Halten Sie den Handgriff nieder, so dass die Trennscheibe in die Grundplatte hineinragt. Stellen Sie gleichzeitig den Winkel zwischen der Führungsplatte und der Trennscheibe mit einem Winkelmesser oder Geodreieck ein.

## Einstellung des Funkenflug-Leitblechs

### Nur für LW1401 (länderspezifisch)

► **Abb.9:** 1. Schraube 2. Funkenflug-Leitblech

Das Funkenflug-Leitblech wurde werksseitig so installiert, dass seine Unterkante die Grundplatte berührt. Der Betrieb des Werkzeugs in dieser Position verursacht starken Funkenflug. Lösen Sie die Schraube, und stellen Sie das Funkenflug-Leitblech auf eine Position ein, bei welcher der Funkenflug auf ein Minimum begrenzt wird.

## Anschlagplatte

### Nur für LW1401 (länderspezifisch)

► **Abb.10:** 1. Anschlagplatte

Die Anschlagplatte verhindert, dass die Trennscheibe die Werkbank oder die Aufstandsfläche berührt. Stellen Sie die Anschlagplatte nach der Montage einer neuen Trennscheibe auf die Position (A) ein. Wenn die Trennscheibe so weit abgenutzt ist, dass das Werkstück nicht vollständig durchgeschnitten wird, stellen Sie die Anschlagplatte auf die Position (B) ein, um mit der abgenutzten Trennscheibe eine größere Schnitttiefe zu erreichen.

## MONTAGE

**⚠VORSICHT:** Vergewissern Sie sich vor der Ausführung von Arbeiten am Werkzeug stets, dass es ausgeschaltet und vom Stromnetz getrennt ist.

## Öffnen der Schutzhaube mit Mittelkappe

### Länderspezifisch

Bei Werkzeugen mit einer Schutzhaube mit Mittelkappe lösen Sie zuerst die Klemmschraube, bevor Sie die Schutzhaube anheben.

► **Abb.11:** 1. Klemmschraube

## Öffnen der Schutzhaube für europäische Vorschriften

### Länderspezifisch

Bei Werkzeugen mit einer Schutzhaube für europäische Vorschriften lösen Sie zuerst die Klemmschraube, bevor Sie die Schutzhaube wie gezeigt öffnen.

► **Abb.12:** 1. Klemmschraube

► **Abb.13**

► **Abb.14**

## Demontage und Montage der Trennscheibe

**⚠VORSICHT:** Ziehen Sie die Schnellklemme oder Sechskantschraube unbedingt sicher fest. Unzureichende Sicherung kann zu schweren Verletzungen führen. Verwenden Sie den mit dem Werkzeug gelieferten Steckschlüssel zum Anziehen der Sechskantschraube, um ordnungsgemäßes Festziehen zu gewährleisten.

**⚠VORSICHT:** Verwenden Sie immer nur den mit dem Werkzeug gelieferten korrekten Innen- und Außenflansch.

**⚠VORSICHT:** Schließen Sie stets die Schutzhaube nach dem Auswechseln der Trennscheibe.

**⚠VORSICHT:** Tragen Sie Schutzhandschuhe bei der Handhabung von Trennscheiben.

► **Abb.15:** 1. Innenflansch 2. Ring 3. O-Ring  
4. Trennscheibe 5. Außenflansch  
6. Schnellklemme / Sechskantschraube

### Für LW1400

Heben Sie die Schutzhaube an. Drehen Sie die Schnellklemme entgegen dem Uhrzeigersinn, während Sie die Spindelarreterung niederhalten. Entfernen Sie dann die Schnellklemme, den Außenflansch und die Trennscheibe. Wenn Sie die Trennscheibe entfernen, lassen Sie den Innenflansch sowie den Ring und O-Ring angebracht.

► **Abb.16:** 1. Spindelarreterung 2. Schnellklemme

Zur Montage der Trennscheibe ist das Demonteverfahren umgekehrt anzuwenden. Achten Sie darauf, dass die Bohrung der Trennscheibe auf dem Ring sitzt, und dass die Schutzhaube zurückgestellt ist.

### Für LW1401

Heben Sie die Schutzhaube an. Drehen Sie die Sechskantschraube mit einem Steckschlüssel entgegen dem Uhrzeigersinn, während Sie die Spindelarreterung niederhalten. Entfernen Sie dann die Sechskantschraube, den Außenflansch und die Trennscheibe.

► **Abb.17:** 1. Spindelarreterung  
2. Sechskantschraube



Zur Montage der Trennscheibe ist das Demontageverfahren umgekehrt anzuwenden. Achten Sie darauf, dass die Bohrung der Trennscheibe auf dem Ring sitzt, und dass die Schutzhaube zurückgestellt ist.

## BETRIEB

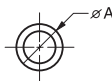
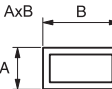
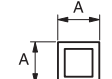

**⚠ VORSICHT:** Der richtige Vorschubdruck und der maximale Schnittwirkungsgrad können anhand der beim Schneiden erzeugten Funkenmenge ermittelt werden. Führen Sie den Schnitt nicht gewaltsam aus, indem Sie übermäßigen Druck auf den Handgriff ausüben. Übermäßige Druckausübung bewirkt nicht nur eine Reduzierung des Schnittwirkungsgrads und vorzeitigen Verschleiß der Trennscheibe, sondern kann auch zu einer Beschädigung von Werkzeug, Trennscheibe oder Werkstück führen.

Halten Sie den Handgriff mit festem Griff. Schalten Sie das Werkzeug ein, und warten Sie, bis es seine volle Drehzahl erreicht hat, bevor Sie die Trennscheibe auf das Werkstück absenken. Wenn die Trennscheibe das Werkstück berührt, drücken Sie den Handgriff allmählich nieder, um den Schnitt auszuführen. Sobald der Schnitt beendet ist, schalten Sie das Werkzeug aus, und warten Sie, bis die Trennscheibe zu einem vollständigen Stillstand gekommen ist, bevor Sie den Handgriff wieder ganz anheben.

## Schnittleistung

Die maximale Schnittleistung hängt vom Schnittwinkel und der Werkstückform ab.

### Max. Schnittleistung mit einer brandneuen Trennscheibe

Schnittwinkel / Werkstückform	90°	45°
	127 mm	127 mm
	115 x 130 mm 102 x 194 mm 70 x 233 mm	115 x 103 mm
	119 x 119 mm	106 x 106 mm
	137 x 137 x 10 mm	100 x 100 x 10 mm

## Sicherung von Werkstücken

**⚠ VORSICHT:** Setzen Sie den Gewindehalter stets auf das Wellengewinde, wenn Sie das Werkstück sichern. Anderenfalls wird das Werkstück möglicherweise nicht ausreichend gesichert. Dies kann zu Herausschleudern des Werkstücks oder gefährlichem Bruch der Trennscheibe führen.

Bei angehobenem Gewindehalter kann die Schraubstockbacke schnell hinein und heraus bewegt werden. Zum Einspannen eines Werkstücks schieben Sie den Handgriff vor, bis die Schraubstockbacke das Werkstück berührt, und stellen Sie dann den Gewindehalter zurück. Drehen Sie den Handgriff im Uhrzeigersinn, bis das Werkstück einwandfrei gesichert ist.

- **Abb.18:** 1. Handgriff 2. Gewindehalter  
3. Schraubstockbacke

Bei fortgeschrittener Abnutzung der Trennscheibe kann ein Distanzblock hinter das Werkstück gelegt werden, wie in der Abbildung gezeigt. Um die abgenutzte Trennscheibe wirksamer einzusetzen, sollte der Mittelpunkt des Trennscheibenumfangs zum Schneiden des Werkstücks verwendet werden. Verwenden Sie ein robustes und nicht brennbares Material für den Distanzblock.

- **Abb.19:** 1. Distanzblock

Wenn Sie Werkstücke von mehr als 85 mm Breite in einem Winkel schneiden, bringen Sie ein gerades Stück Holz (Distanzstück) von mehr als 190 mm Länge x 45 mm Breite an der Führungsplatte an, wie in der Abbildung gezeigt. Befestigen Sie dieses Distanzstück mit Schrauben in den Löchern der Führungsplatte. Vergewissern Sie sich, dass die Trennscheibe nicht das Distanzstück berührt, wenn der Werkzeugkopf niedergedrückt wird.

- **Abb.20:** 1. Führungsplatte 2. Distanzblock (über 190 mm lang x 45 mm breit) 3. Werkstück (über 85 mm breit) 4. Schraubstockbacke

- **Abb.21**

Wenn die Trennscheibe abgenutzt ist, heben Sie die Schnittposition an, indem Sie einen Distanzblock, der geringfügig schmaler als das Werkstück ist, so anbringen, wie in der Abbildung gezeigt. Dies trägt zu einer rationalen Nutzung der Trennscheibe bei.

- **Abb.22:** 1. Schraubstockbacke  
2. Werkstückdurchmesser  
3. Führungsplatte 4. Distanzblockbreite

Lange Werkstücke müssen auf beiden Seiten mit Blöcken abgestützt werden, welche die gleiche Höhe wie die Oberseite der Grundplatte haben. Verwenden Sie ein nicht brennbares Material für die Stützblöcke.

- **Abb.23:** 1. Stützblock

## Tragen des Werkzeugs

Klappen Sie den Werkzeugkopf herunter, und verriegeln Sie ihn. Halten Sie das Werkzeug zum Tragen am Handgriff.

- **Abb.24**

## WARTUNG

**⚠ VORSICHT:** Vergewissern Sie sich vor der Durchführung von Überprüfungen oder Wartungsarbeiten des Werkzeugs stets, dass es ausgeschaltet und vom Stromnetz getrennt ist.

**ANMERKUNG:** Verwenden Sie auf keinen Fall Benzin, Waschbenzin, Verdünnern, Alkohol oder dergleichen. Solche Mittel können Verfärbung, Verformung oder Rissbildung verursachen.

## Auswechseln der Kohlebürsten

► **Abb.25:** 1. Verschleißgrenze

Überprüfen Sie die Kohlebürsten regelmäßig. Wechseln Sie sie aus, wenn sie bis zur Verschleißgrenze abgenutzt sind. Halten Sie die Kohlebürsten stets sauber, damit sie ungehindert in den Haltern gleiten können. Beide Kohlebürsten sollten gleichzeitig ausgewechselt werden. Verwenden Sie nur identische Kohlebürsten.

1. Drehen Sie die Bürstenhalterkappen mit einem Schraubendreher heraus.
2. Nehmen Sie die abgenutzten Kohlebürsten heraus, setzen Sie die neuen ein, und drehen Sie dann die Bürstenhalterkappen wieder ein.

► **Abb.26:** 1. Bürstenhalterkappe

## SONDERZUBEHÖR

**⚠ VORSICHT:** Die folgenden Zubehörteile oder Vorrichtungen werden für den Einsatz mit dem in dieser Anleitung beschriebenen Makita-Werkzeug empfohlen. Die Verwendung anderer Zubehörteile oder Vorrichtungen kann eine Verletzungsgefahr darstellen. Verwenden Sie Zubehörteile oder Vorrichtungen nur für ihren vorgesehenen Zweck.

Wenn Sie weitere Einzelheiten bezüglich dieser Zubehörteile benötigen, wenden Sie sich bitte an Ihre Makita-Kundendienststelle.

- Trennschleifscheiben
- Steckschlüssel (nur für LW1401)

**HINWEIS:** Manche Teile in der Liste können als Standardzubehör im Werkzeugsatz enthalten sein. Sie können von Land zu Land unterschiedlich sein.

Makita Europe N.V. Jan-Baptist Vinkstraat 2,  
3070 Kortenberg, Belgium

Makita Corporation 3-11-8, Sumiyoshi-cho,  
Anjo, Aichi 446-8502 Japan

[www.makita.com](http://www.makita.com)

885456C979  
EN, PL, HU, SK,  
CS, UK, RO, DE  
20170106