

## Documentatie tehnica motopompa MP30

Figura 1

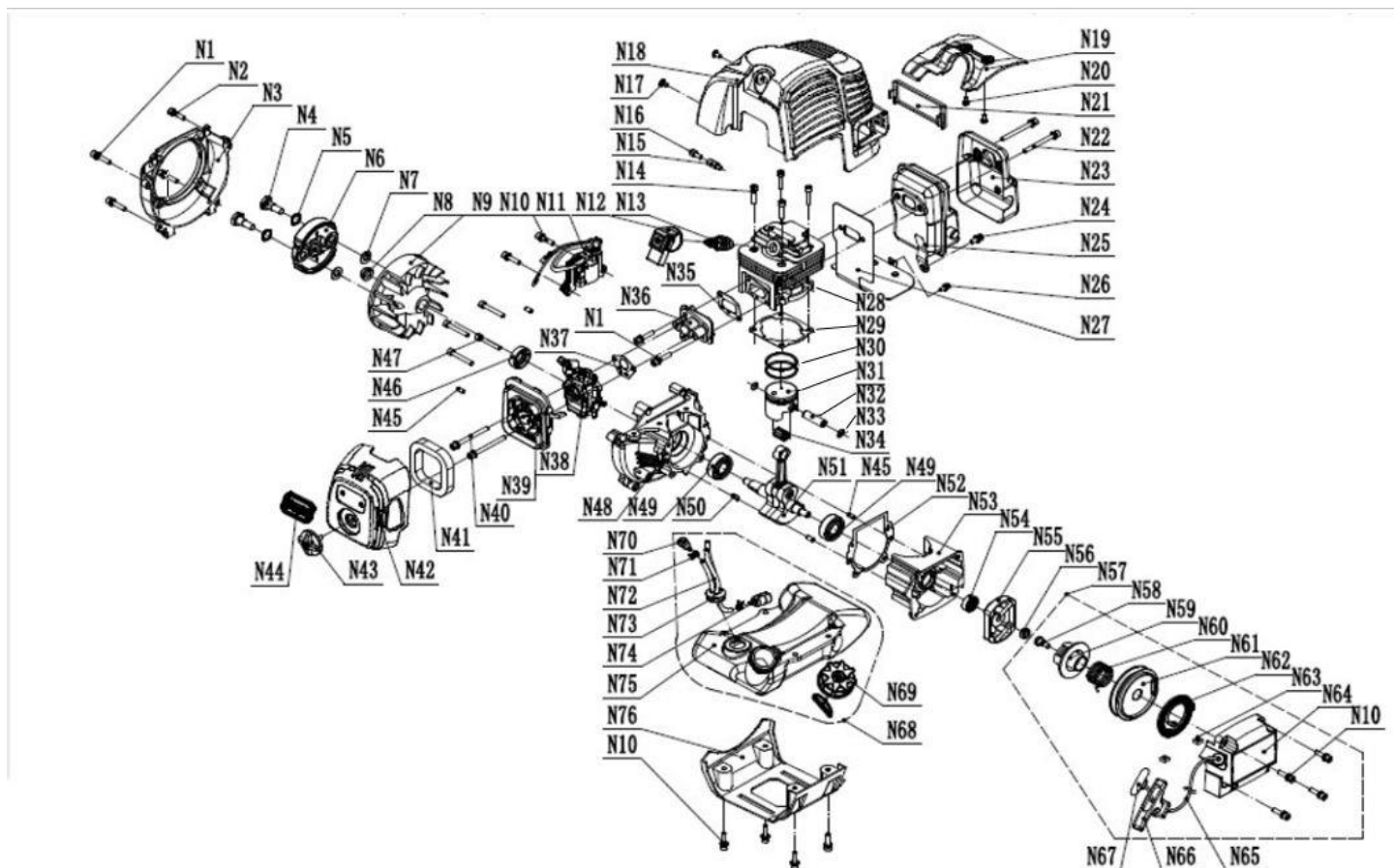


Figura 1

Nr. crt	Denumire produs	Product name	Cod comanda
1	surub	bolt m5x25	psmp30-1-1
2	surub	bolt m5x20	psmp30-1-2
3	capac lateral	side cover	psmp30-1-3
4	surub ambreiaj	screw clutch	psmp30-1-4
5	saiba	washer	psmp30-1-5
6	ambreiaj	clutch	psmp30-1-6
7	saiba	washer	psmp30-1-7
8	piulita	nut	psmp30-1-8
9	volanta	flywheel	psmp30-1-9

## Producător motoutilaje

## Documentatie tehnică

10	surub	bolt m5x20	psmp30-1-10
11	modul aprindere	ignition coil	psmp30-1-11
12	pipa bujie	cap spark plug	psmp30-1-12
13	bujie	spark plug	br2t
14	surub	bolt m5x20	psmp30-1-14
15	surub	bolt	psmp30-1-15
16	surub	bolt m5x10	psmp30-1-16
17	surub	bolt m4x12	psmp30-1-17
18	capota	Cover	psmp30-1-18
19	capac	top cover	psmp30-1-19
20	surub autofiletant	st4x8	psmp30-1-20
21	eticheta	brand badge	psmp30-1-21
22	surub	bolt m6x55	psmp30-1-22
23	protectie toba esapament	heat insulation	psmp30-1-23
24	surub	bolt m5x10	psmp30-1-24
25	toba esapament	muffler	psmp30-1-25
26	surub	bolt m4x14	psmp30-1-26
27	garnitura toba esapament	gasket muffler	psmp30-1-27
28	cilindru	cylinder	psmp30-1-28
29	garnitura cilindru	gasket cylinder	psmp30-1-29
30	set segmenti	piston ring	psmp30-1-30
31	piston	piston	psmp30-1-31
32	bolt piston	piston pin	psmp30-1-32
33	siguranta bolt piston	snap ring	psmp30-1-33
34	rulment ace	needle bearing	psmp30-1-34
35	garnitura izoloator	gasket inlet pipe	psmp30-1-35
36	izolator	inlet pipe	psmp30-1-36
37	garnitura carburator	gasket carburator	psmp30-1-37
38	carburator	carburator	psmp30-1-38
39	suport filtru aer	air filter set	psmp30-1-39
40	surub	bolt m5x55	psmp30-1-40
41	filtru aer	air filter	psmp30-1-41
42	capac filtru aer	cover filter	psmp30-1-42
43	surub fluture	butterfly screw	psmp30-1-43
44	eticheta	brand badge	psmp30-1-44
45	pin de ghidare	pin	psmp30-1-45
46	simering 10x30x7	oil seal 10x30x7	psmp30-1-46
47	surub	bolt m5x10	psmp30-1-47
48	semicarter stanga	left crankcase	psmp30-1-48
49	rulment 6202	bearing 6202	psmp30-1-49
50	pana	woodruff key	psmp30-1-50

## Producător motoutilaje

## Documentatie tehnică

51	ambielaj	crankshaft	psmp30-1-51
52	garnitura carter	gasket crankcase	psmp30-1-52
53	semicarter dreapta	right crankcase	psmp30-1-53
54	simering 12x22x7	oil seal 12x22x7	psmp30-1-54
55	cuplaj	pullet	psmp30-1-55
56	piulita	nut m8	psmp30-1-56
57	ansamblu demaror	starter assy	psmp30-1-57
58	surub	Screw	psmp30-1-58
59	clichet	ratchet	psmp30-1-59
60	arc	torsion spring	psmp30-1-60
61	rola demaror	reel	psmp30-1-61
62	arc	spring	psmp30-1-62
63	piulita	nut	psmp30-1-63
64	capac demaror	starter	psmp30-1-64
65	sfoara demaror	starter rope	psmp30-1-65
66	maner demaror	starter knob	psmp30-1-66
67	guler	collar	psmp30-1-67
68	ansamblu rezervor	fuel tank assy	psmp30-1-68
69	buson rezervor	cap	psmp30-1-69
70	supapa dezaerare	vent valve	psmp30-1-70
71	clema	clip	psmp30-1-71
72	furtun	fuel pipe	psmp30-1-72
73	garnitura etansare	sealing gasket	psmp30-1-73
74	filtru combustibil	fuel filter	psmp30-1-74
75	rezervor combustibil	tank	psmp30-1-75
76	suport rezervor	braket tank	psmp30-1-76

Figura 2

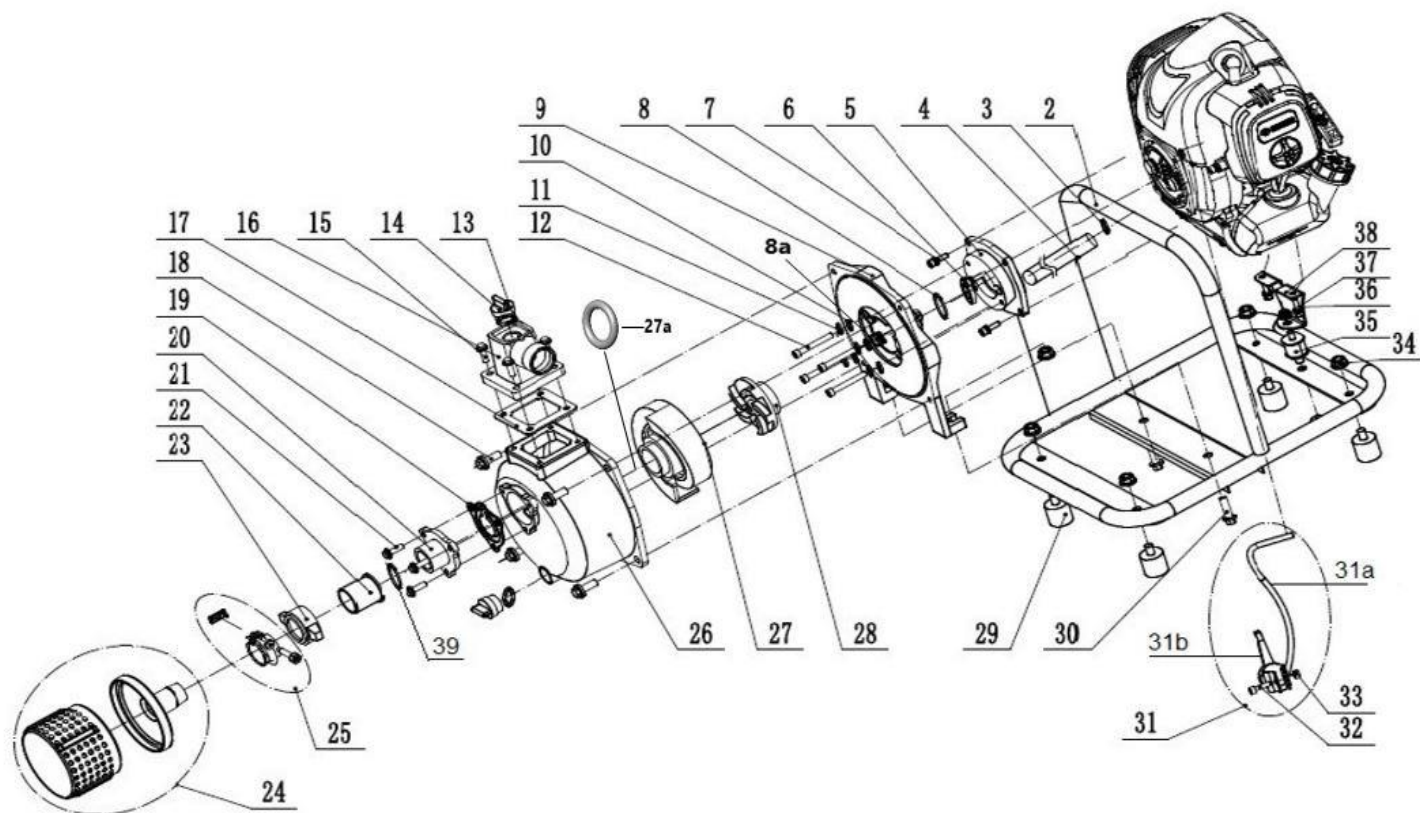


Figura 2

Nr. Crt	Denumire produs	Product name	Cod comanda
1	motor	engine	psmp30-2-1
2	suport pompa	pump suport	psmp30-2-2
3	saiba	washer	psmp30-2-3
4	ax	shaft	psmp30-2-4
5	carcasa	housing	psmp30-2-5
6	rulment 6002	bearing 6002	psmp30-2-6
7	surub	bolt M6X20	psmp30-2-7
8	inelul de fixare	retainer ring	psmp30-2-8
8a	etansare mecanica diam (30mm/40mm)	mechanical seal (30mm/40mm)	psmp30-2-8a
8b	etansare mecanica diam (35mm/45mm)	mechanical seal (36mm/45mm)	psmp30-2-8b

## Producător motoutilaje

## Documentatie tehnică

9	flansa	pump baseplate	psmp30-2-9
10	saiba	washer	psmp30-2-10
11	saiba	washer	psmp30-2-11
12	surub	bolt M6X45	psmp30-2-12
13	oring	oring	psmp30-2-13
14	buson	cap	psmp30-2-14
15	surub	bolt M6X20	psmp30-2-15
16	cap evacuare	water-out tube	psmp30-2-16
17	garnitura de cauciuc	rubber cushion	psmp30-2-17
18	surub	bolt M8X20	psmp30-2-18
19	supapa de sens	one-way valve	psmp30-2-19
20	cap absorbtie	water inlet	psmp30-2-20
21	surub	bolt M6X18	psmp30-2-21
22	racord	water outlet	psmp30-2-22
23	piulita racord	flange	psmp30-2-23
24	ansamblu filtru apa	water-filtering assy	psmp30-2-24
25	ansamblu colier	clamp ring assy	psmp30-2-25
26	corp pompa	pump cover	psmp30-2-26
27	carcasa turbina	impeller cover	psmp30-2-27
27a	Oring	Oring	psmp30-2-27a
28	turbina	impeller	psmp30-2-28
29	amortizor	rubber damping	psmp30-2-29
30	surub	bolt M8X25	psmp30-2-30
31	ansamblu acceleratie	throttle switch assy	psmp30-2-31
31a	cablu acceleratie	throttle cable	psmp30-2-31a
31b	maneta acceleratie	throttle lever	psmp30-2-31b
32	surub	bolt M5X20	psmp30-2-32
33	piulita	nut M5	psmp30-2-33
34	piulita	nut M8	psmp30-2-34
35	amortizor	damping	psmp30-2-35
36	surub	bolt M5X18	psmp30-2-36
37	piulita	nut M6	psmp30-2-37
38	suport rezervor	fuel tank support	psmp30-2-38
39	garnitura	gasket	psmp30-2-39