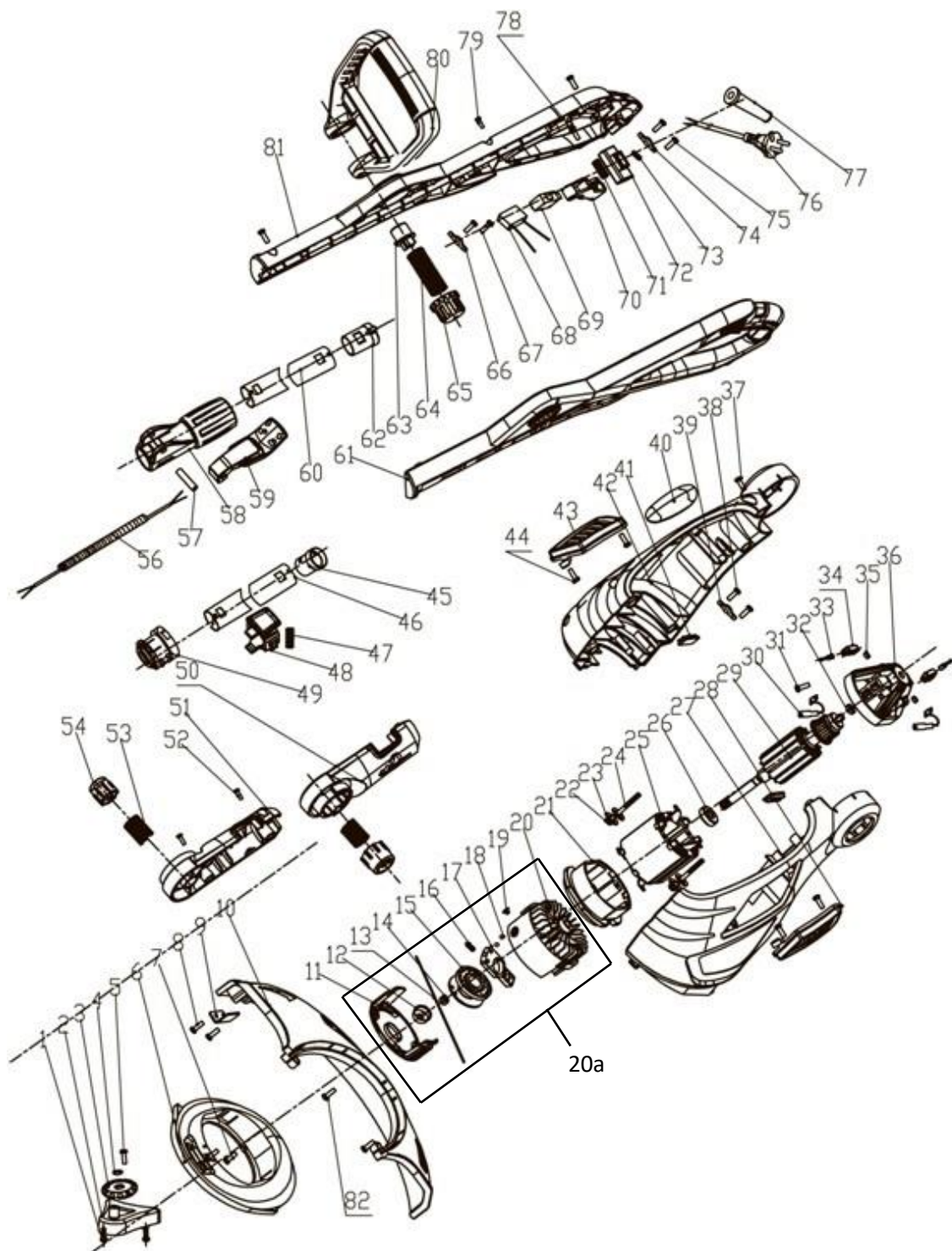


Documentatie tehnica trimer TE500



Nr. Crt	Denumire produs	Product name	Cod intern
1	surub autofiletant	self tapping screw	pste500-1
2	suport roata	wheel bracket	pste500-2
3	roata	wheel	pste500-3
4	saiba	flat washer	pste500-4
5	surub autofiletant	self tapping screw	pste500-5
6	capac	seat cover	pste500-6
7	surub autofiletant	self tapping screw	pste500-7
8	surub autofiletant	self tapping screw	pste500-8
9	cutit	line Cutting blade	pste500-9
10	aparatoare	trimming Cover	pste500-10
11	capac autocut	spool Cover	pste500-11
12	dop	plug	pste500-12
13	fir	nylon string	pste500-13
14	piulita	nut	pste500-14
15	rola fir	line wheel	pste500-15
16	arc	balance block spring	pste500-16
17	blocator	balance block	pste500-17
18	bila de otel	steel ball	pste500-18
19	nit	rivet	pste500-19
20	carcasa autocut	line spool	pste500-20
20a	autocut	autocut	pste500-20a
21	suport superior stator	stator front brackets	pste500-21
22	surub	screw	pste500-22
23	saiba grover	spring washer	pste500-23
24	saiba	flat washer	pste500-24
25	stator	stator	pste500-25
26	rulment 608 2z	bearing 608 2Z	pste500-26
27	carcasa stanga	left housing	pste500-27
28	ornament	left decorative cover	pste500-28
29	rotor	rotor	pste500-29
30	conector	connectors	pste500-30
31	surub autofiletant	self tapping screw	pste500-31
32	rulment 607 2z	bearing 607 2Z	pste500-32
33	perii	carbon brush	pste500-33
34	suport perii	carbon brush holder	pste500-34
35	piulita	nut	pste500-35
36	suport inferior stator	stator rear bracket	pste500-36

Producător motoutilaje

Documentatie tehnică

37	surub autofiletant	self tapping screw	pste500-37
38	surub autofiletant	self tapping screw	pste500-38
39	clema fixare	cable tie clamp	pste500-39
40	ornament	decorative cover	pste500-40
41	amortizor	cushion	pste500-41
42	carcasa dreapta	right housing	pste500-42
43	ornament	right decorative cover	pste500-43
44	surub autofiletant	self tapping screw	pste500-44
45	manson	tube sheath	pste500-45
46	tub	tube	pste500-46
47	arc	switch button spring	pste500-47
48	buton ajustare	rotate button	pste500-48
49	manson	lower positioning sleeve	pste500-49
50	capac stanga	left the connection cover	pste500-50
51	capac dreapta	right connection cover	pste500-51
52	surub autofiletant	self tapping screw	pste500-52
53	arc	switch button spring	pste500-53
54	buton ajustare	rotate button	pste500-54
56	cablu	spring Cable	pste500-56
57	bolt	pin	pste500-57
58	cuplaj	coupling sleeve	pste500-58
59	parghie	locking button	pste500-59
60	tub	tube	pste500-60
61	maner stanga	left handle	pste500-61
62	manson	positioning sleeve	pste500-62
63	buton ajustare	ring Front handle Button	pste500-63
64	arc	spring	pste500-64
65	buton ajustare	front handle Button spring	pste500-65
66	clema fixare	cable tie clamp	pste500-66
67	surub autofiletant	self tapping screw	pste500-67
68	condensator	capacitor	pste500-68
69	comutator	switch	pste500-69
70	buton	switch Button	pste500-70
71	arc	brake spring	pste500-71
72	buton blocare	lock Off button	pste500-72
73	arc	trigger spring	pste500-73
74	clema fixare	cable tie clamp	pste500-74
75	surub autofiletant	self tapping screw	pste500-75
76	cablu alimentare	cable	pste500-76
77	manson	sheath	pste500-77

Producător motoutilaje

Documentatie tehnică

78	surub autofiletant	self tapping screw	pste500-78
79	surub autofiletant	self tapping screw	pste500-79
80	maner frontal	front handle	pste500-80
81	maner dreapta	right handle	pste500-81
82	surub autofiletant	screw	pste500-82