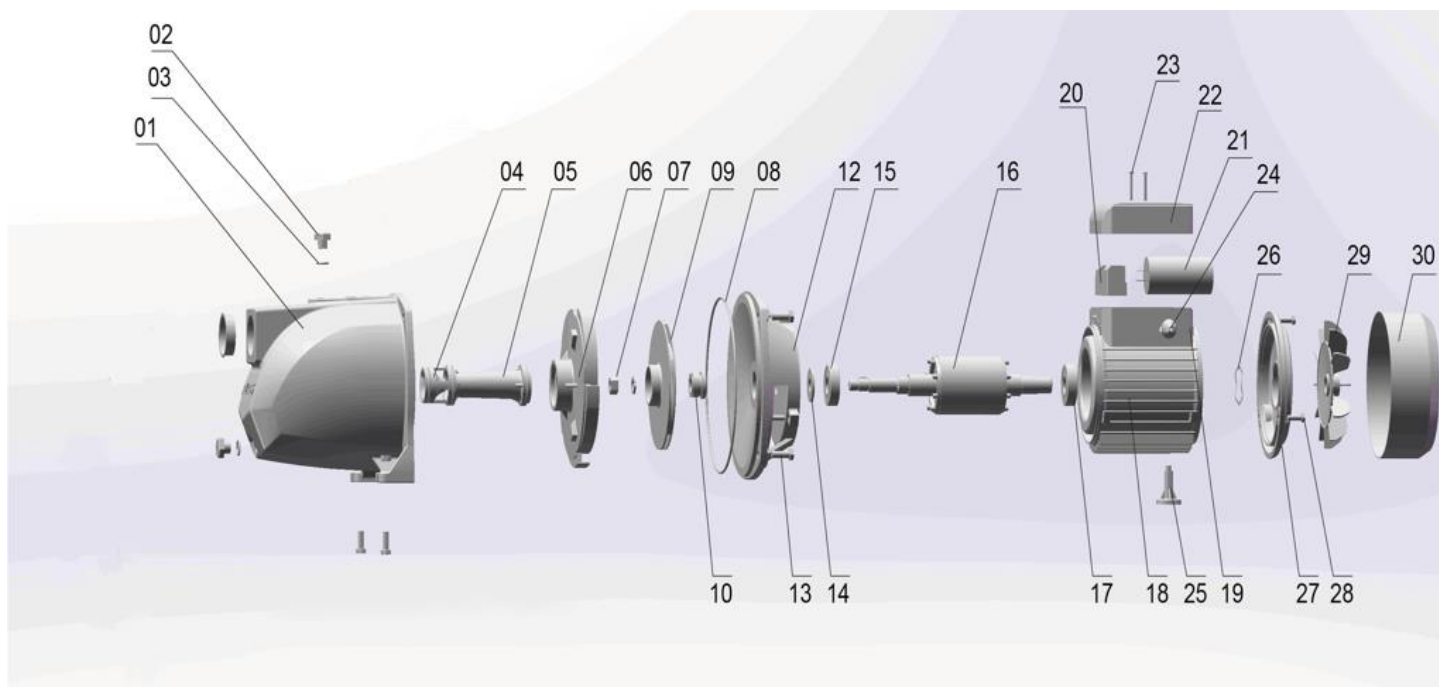


Documentatie tehnica Hidrofor Aqua Power 5010S

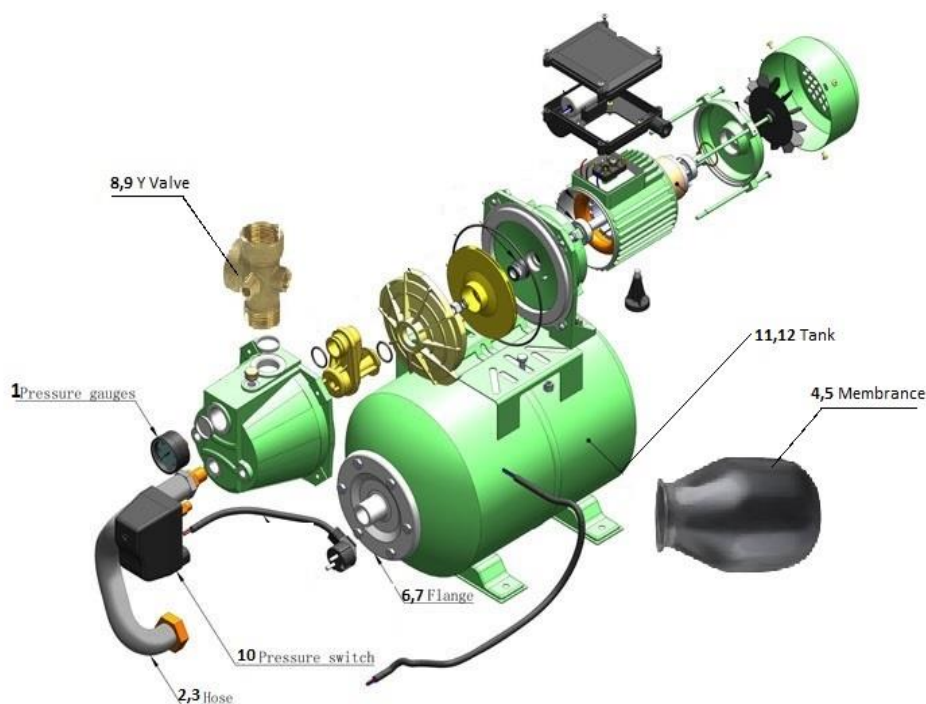


Nr. Crt	Denumire produs	Product name	Cod comanda
1	corp pompa	pump casting	psh5010s-1
2	buson amorsare	Drain plug	psh5010s-2
3	O ring	o ring	psh5010s-3
4	duza	nozzle	psh5010s-4
5	tub venturi	venturi pipe	psh5010s-5
6	difuzor	diffuser	psh5010s-6
7	piulita	Impeller Stop Nut	psh5010s-7
8	O ring	O ring for diffuser	psh5010s-8
9	turbina	Impeller	psh5010s-9
10	etansare mecanica	Mechanical Seal	psh5010s-10
11	O ring	O ring for Pump Body	psh5010s-11
12	suport pompa	Pump Support	psh5010s-12
13	Şurub	Screw For Pump Body	psh5010s-13
14	Splash Guard	Splash Guard	psh5010s-14
15	rulment	Ball Bearing	psh5010s-15
16	rotor	Shaft and rotor	psh5010s-16
17	rulment	Ball Bearing	psh5010s-17
18	Stator	casing with wound stator	psh5010s-18
19	cutie	Capacitor Holding box	psh5010s-19
20	cutie	Washer for terminal box	psh5010s-20
21	condensator	Capacitor	psh5010s-21

Producător motoutilaje

Documentatie tehnică

22	capac	Terminal Cover	psh5010s-22
23	Șurub	Screw For Terminal Box Fixing	psh5010s-23
24	Gaură de ieșire	Outlet Hole	psh5010s-24
25	Picioare	Foot	psh5010s-25
26	Inel de reglare	Adjusting Ring	psh5010s-26
27	Capac motor	Motor Cover	psh5010s-27
28	Motor-Tie-rod	Motor-Tie-rod	psh5010s-28
29	ventilator	Fan	psh5010s-29
30	capac ventilator	Fan Cover	psh5010s-30



Nr. Crt	Denumire produs	Product name	Cod comanda
1	manometru	PRESSURE GAUGE	psh-1
2	furtun 30CM	BIG HOSE 30CM	psh-2
3	furtun 50CM	BIG HOSE 50CM	psh-3
3a	furtun 70CM	BIG HOSE 70CM	psh-3a
4	membrana 24L	MEMBRANCE FOR 24L	psh-4
5	membrana 50L	MEMBRANCE FOR 50L	psh-5
6	flansa rezervor 24L	TANK FLANGE FOR 24L	psh-6
7	flansa rezervor 50L	TANK FLANGE FOR 50L	psh-7
8	racord 3 cai	3 Y VALVE	psh-8

Producător motoutilaje

Documentatie tehnică

9	racord 5 cai	5 Y VALVE	psh-9
10	presostat	PRESSURE SWITCH	psh-10
11	rezervor 24L	TANK 24L	psh-11
12	rezervor 50L	TANK 50L	psh-12