



# Makita Werkzeug Ges.m.b.H.

Airportstr. 4, 2401 Fischamend

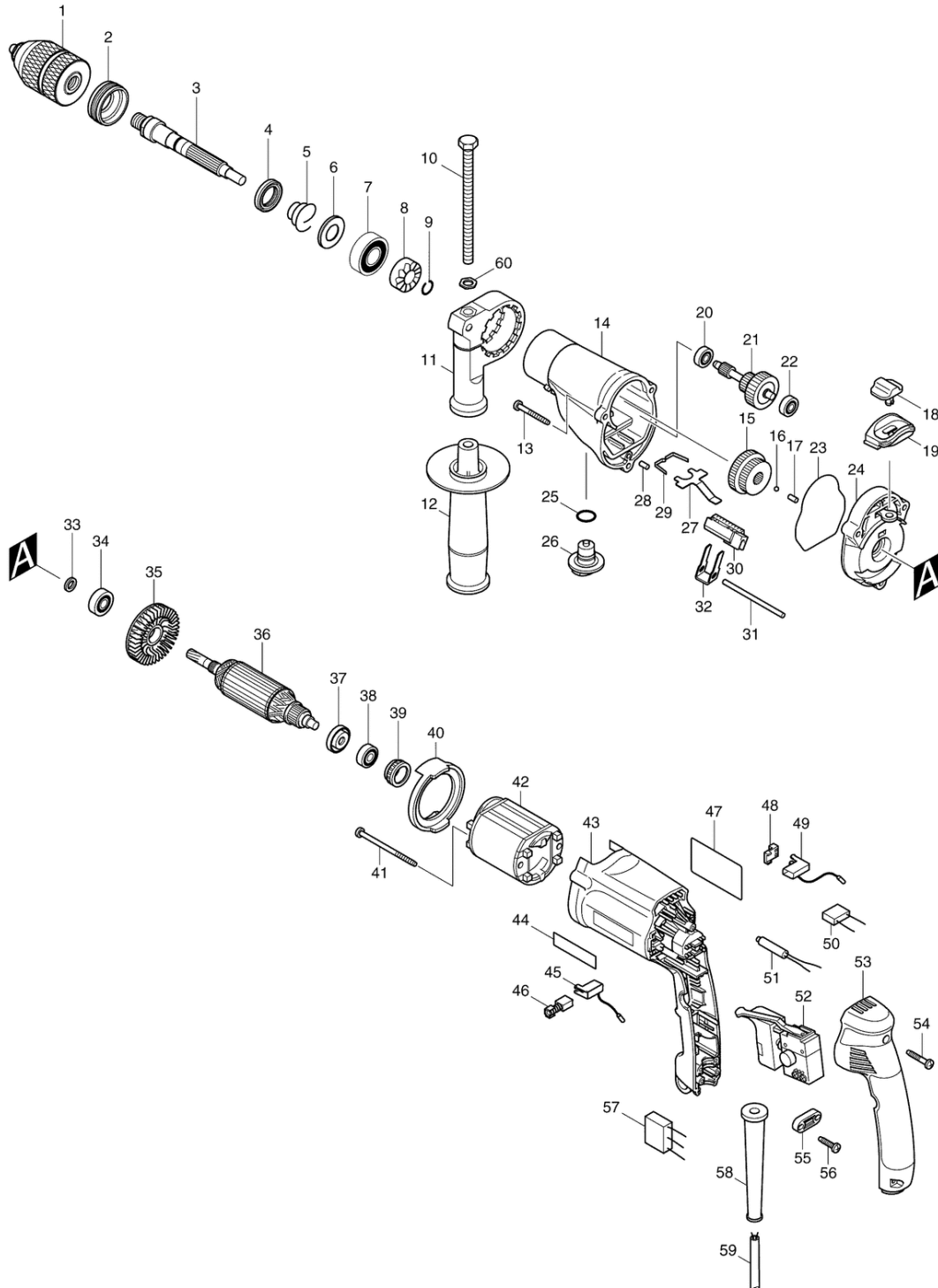
Tel: 02232 / 777 00

Fax: 02232 / 777 00 - 40

Mail: verkauf@makita.at

Web: www.makita.at

## Makita Service Information / Model: HP2051





## Makita Werkzeug Ges.m.b.H.

Airportstr. 4, 2401 Fischamend

Tel: 02232 / 777 00

Fax: 02232 / 777 00 - 40

Mail: verkauf@makita.at

Web: www.makita.at

### Makita Service Information / Model: HP2051

| POS  | Bestell-Nr. | Artikelbeschreibung                   | Stk. | Stk.Preis |
|------|-------------|---------------------------------------|------|-----------|
| 1    | 192664-5    | KEYLESS DRILL CHUCK                   | 1    | N/A       |
| 1    | 194254-0    | KEYLESS DRILL CHUCK SET               | 1    | N/A       |
| 1.2  | 194254-0    | KEYLESS DRILL CHUCK SET               | 1    | N/A       |
| 2    | 285839-4    | DRŽIAK LOŽISKA HP2050/HP2071F         | 1    | N/A       |
| 3    | 324247-5    | OSKA HP2050/HP2071F                   | 1    | N/A       |
| 4    | 213314-0    | SIMMEROV KRÚŽOK 19 HP2030/HP2032/H    | 1    | N/A       |
| 5    | 233921-3    | PRUŽINA KONICKÁ HP2050/HP2071F        | 1    | N/A       |
| 6    | 345224-4    | KRYTKA 15 HP2050                      | 1    | N/A       |
| 7    | 211206-7    | LOŽISKO GULIČKOVÉ 6202LLB             | 1    | N/A       |
| 8    | 223137-8    | KRÚŽOK MECHANICKÉHO PRÍKLEPU HP2050/F | 1    | N/A       |
| 9    | 233920-5    | PODLOŽKA PRUŽNÁ 11 HP2050/F           | 1    | N/A       |
| 10   | 921923-8    | 6-HRANNÁ SKRUTKA M8x120 HR2440        | 1    | N/A       |
| 11   | 417630-4    | DRŽIAK RÚČKY HR2440/2020/2450F        | 1    | N/A       |
| 11   | 417630-4    | DRŽIAK RÚČKY HR2440/2020/2450F        | 1    | N/A       |
| 11.2 | 417630-4    | DRŽIAK RÚČKY HR2440/2020/2450F        | 1    | N/A       |
| 12   | 152521-9    | RUKOVÄT 36 KPL. (nova)                | 1    | N/A       |
| 12   | 135302-6    | GRIP 36 ASS'Y                         | 1    | N/A       |
| 12   |             | *** INC. 10,11,60                     |      | N/A       |
| 12.2 | 134943-5    | GRIP 36 ASS'Y                         | 1    | N/A       |
| 12.2 |             | *** INC. 10,11                        |      | N/A       |
| 12.3 | 134943-5    | GRIP 36 ASS'Y                         | 1    | N/A       |
| 12.3 |             | *** INC. 10,11,60                     |      | N/A       |
| 12.4 | 135302-6    | GRIP 36 ASS'Y                         | 1    | N/A       |
| 12.4 |             | *** INC. 10,11,60                     |      | N/A       |
| 13   | 266053-1    | SKRUTKA SAMOREZNÁ 4x35                | 3    | N/A       |
| 14   | 153379-9    | KRYT PREVODOVKY HP2050                | 1    | N/A       |
| 15   | 227030-8    | KOLESO TANIEROVÉ 29-37 2640           | 1    | N/A       |
| 15   | 227119-2    | KOLESO OZUBENÉ 29-37 HP2070-71F neu   | 1    | N/A       |
| 15.2 | 227119-2    | KOLESO OZUBENÉ 29-37 HP2070-71F neu   | 1    | N/A       |
| 16   | 216001-0    | GULKA OCEĽOVÁ 3,5                     | 1    | N/A       |
| 17   | 256251-5    | KOLÍK 4 HP1500/2040/41/32/33          | 1    | N/A       |
| 18   | 417801-3    | CHANGE LEVER A                        | 1    | N/A       |
| 18   | 418083-0    | Prepínač A HP2050/2071F neu           | 1    | N/A       |
| 18.2 | 418083-0    | Prepínač A HP2050/2071F neu           | 1    | N/A       |
| 19   | 417802-1    | Kryt prepínača HP2050-Ser             | 1    | N/A       |
| 20   | 211014-6    | LOŽISKO GULIČKOVÉ 606                 | 1    | N/A       |
| 20   | 211012-0    | LOŽISKO GULIČKOVÉ 606ZZ               | 1    | N/A       |
| 20.2 | 211012-0    | LOŽISKO GULIČKOVÉ 606ZZ               | 1    | N/A       |
| 21   | 153363-4    | PREVODOVKA KPL.                       | 1    | N/A       |
| 21   | 153622-6    | PREVODOVKA KPL.                       | 1    | N/A       |



## Makita Werkzeug Ges.m.b.H.

Airportstr. 4, 2401 Fischamend

Tel: 02232 / 777 00

Fax: 02232 / 777 00 - 40

Mail: verkauf@makita.at

Web: www.makita.at

### Makita Service Information / Model: HP2051

| POS  | Bestell-Nr. | Artikelbeschreibung                 | Stk. | Stk.Preis |
|------|-------------|-------------------------------------|------|-----------|
| 21.2 | 153622-6    | PREVODOVKA KPL.                     | 1    | N/A       |
| 22   | 211014-6    | LOŽISKO GULIČKOVÉ 606               | 1    | N/A       |
| 22   | 211012-0    | LOŽISKO GULIČKOVÉ 606ZZ             | 1    | N/A       |
| 22.2 | 211012-0    | LOŽISKO GULIČKOVÉ 606ZZ             | 1    | N/A       |
| 23   | 421810-6    | TESNENIE HP2050/F-Serie             | 1    | N/A       |
| 24   | 153364-2    | GEAR HOUSING COVER COMPLETE         | 1    | N/A       |
| 24   | 153620-0    | KRYT PREVODOVKY . HP2050-1          | 1    | N/A       |
| 24.2 | 153620-0    | KRYT PREVODOVKY . HP2050-1          | 1    | N/A       |
| 25   | 213162-7    | O-KRÚŽOK 14 213162-7                | 1    | N/A       |
| 25   | 213122-9    | O-KRÚŽOK 12 213122-9                | 1    | N/A       |
| 25.2 | 213122-9    | O-KRÚŽOK 12 213122-9                | 1    | N/A       |
| 26   | 417805-5    | PREPÍNAČ B                          | 1    | N/A       |
| 27   | 345225-2    | PLATŇA ARETÁCIE HP2050/HP2071       | 1    | N/A       |
| 28   | 256251-5    | KOLÍK 4 HP1500/2040/41/32/33        | 1    | N/A       |
| 29   | 232143-2    | PERO LISTOVÉ                        | 1    | N/A       |
| 30   | 417804-7    | TIAHLO PREPÍNAČA 12 HP2050-Serie    | 1    | N/A       |
| 31   | 268092-7    | KOLÍK 4 HP2050/2070/F-Seria         | 1    | N/A       |
| 32   | 345223-6    | PLATNIČKA PREPÍNACIA B HP2050-Serie | 1    | N/A       |
| 33   | 262087-2    | KRÚŽOK 8 6823-27/HP2050-Seria       | 1    | N/A       |
| 34   | 210005-4    | LOŽISKO GULIČKOVÉ 608DDW            | 1    | N/A       |
| 35   | 241881-5    | KOLESO VENTILÁTORA 52               | 1    | N/A       |
| 36   | 517414-1    | KOTVA UPLNA 220 V                   | 1    | N/A       |
| 36   |             | *** INC. 33,34,35,37,38             |      | N/A       |
| 37   | 681636-0    | IZOLACNA PODLOZKA                   | 1    | N/A       |
| 38   | 211021-9    | LOŽISKO GULIČKOVÉ 607LLB            | 1    | N/A       |
| 39   | 421494-0    | GUMENY KRÚŽOK 19                    | 1    | N/A       |
| 40   | 417803-9    | BAFFLE PLATE                        | 1    | N/A       |
| 41   | 266060-4    | TAPPING SCREW 4x65                  | 2    | N/A       |
| 42   | 633528-9    | STATOR 220 V                        | 1    | N/A       |
| 43   | 183453-9    | MOTOR HOUSING                       | 1    | N/A       |
| 43   | 417807-1    | KRYT MOTORA HP2050/HP2051           | 1    | N/A       |
| 43   |             | *** INC. 44                         |      | N/A       |
| 43.2 | 417807-1    | KRYT MOTORA HP2050/HP2051           | 1    | N/A       |
| 44   | 819063-3    | MAKITA LABEL                        | 1    | N/A       |
| 45   | 643989-5    | DRŽIAK UHLÍKOV HR2020-2450/F        | 1    | N/A       |
| 46   | 191962-4    | UHLÍKY CB-419 (CB-406/407)1187      | 1    | N/A       |
| 47   | 853860-7    | NAME PLATE HP2051                   | 1    | N/A       |
| 48   | 689111-0    | PRIECHODKA HR2020-2450/F/T          | 2    | N/A       |
| 49   | 643988-7    | DRZIAK UHLIKA HR2020-2450/F         | 1    | N/A       |
| 50   | 645105-5    | ODRUSOVACI KONDENZATOR              | 1    | N/A       |



## Makita Werkzeug Ges.m.b.H.

Airportstr. 4, 2401 Fischamend

Tel: 02232 / 777 00

Fax: 02232 / 777 00 - 40

Mail: [verkauf@makita.at](mailto:verkauf@makita.at)

Web: [www.makita.at](http://www.makita.at)

### Makita Service Information / Model: HP2051

| POS    | Bestell-Nr. | Artikelbeschreibung            | Stk. | Stk.Preis |
|--------|-------------|--------------------------------|------|-----------|
| 50     | 645200-1    | ODRUSOVACI KONDENZATOR         | 1    | N/A       |
| 50.2   | 645200-1    | ODRUSOVACI KONDENZATOR         | 1    | N/A       |
| 51     | 646133-3    | Choke Coil                     | 1    | N/A       |
| 52     | 650524-2    | VYPINAC TG813ALB-2             | 1    | N/A       |
| 53     | 153284-0    | KRYT RUČKY HR-F/HP-F           | 1    | N/A       |
| 54     | 265999-8    | SKRUTKA SAMOREZNÁ 4x25         | 3    | N/A       |
| 55     | 687063-9    | ODLAHCENIE TAHU SNURY          | 1    | N/A       |
| 55     | 687052-4    | DRŽIAK KÁBLA                   | 1    | N/A       |
| 55.2   | 687052-4    | DRŽIAK KÁBLA                   | 1    | N/A       |
| 56     | 265995-6    | SKRUTKA SAMOREZNÁ 4x18         | 2    | N/A       |
| 57     | 645253-0    | ODRUSOVACI KONDENZATOR         | 1    | N/A       |
| 58     | 682559-5    | CHRANIC SNURY 8                | 1    | N/A       |
| 59     | 666066-6    | POWER SUPPLY CORD 1.0-2-2.5    | 1    | N/A       |
| 59     | 665394-6    | KÁBEL 1,0-2-2,5 9566CR/CVR     | 1    | N/A       |
| 59.2   | 665394-6    | KÁBEL 1,0-2-2,5 9566CR/CVR     | 1    | N/A       |
| 60     | 345280-4    | PODLOŽKA                       | 1    | N/A       |
| 61     | 263002-9    | KOLÍK GUMA 4                   | 1    | N/A       |
| 1001   | 324219-0    | DORAZ HLBKOVÝ                  | 1    | N/A       |
| 1002   | 824650-5    | PLASTIC CARRYING CASE          | 1    | N/A       |
| 1002   | 821549-5    | CONNECTOR PLASTIC CASE (TYPE1) | 1    | N/A       |
| 1002.2 | 821549-5    | CONNECTOR PLASTIC CASE (TYPE1) | 1    | N/A       |
| 1003   | 837656-4    | INNER TRAY                     | 1    | N/A       |
| 1003.2 | 838039-1    | KOFFEREINSATZ HP2051J/2071J    | 1    | N/A       |
| 1004   | 801B90-6    | HP2051HJ INDICATION LABEL      | 1    | N/A       |
| 1005   | 801B91-4    | HP2051HJ PLASTIC CASE LABEL    | 2    | N/A       |