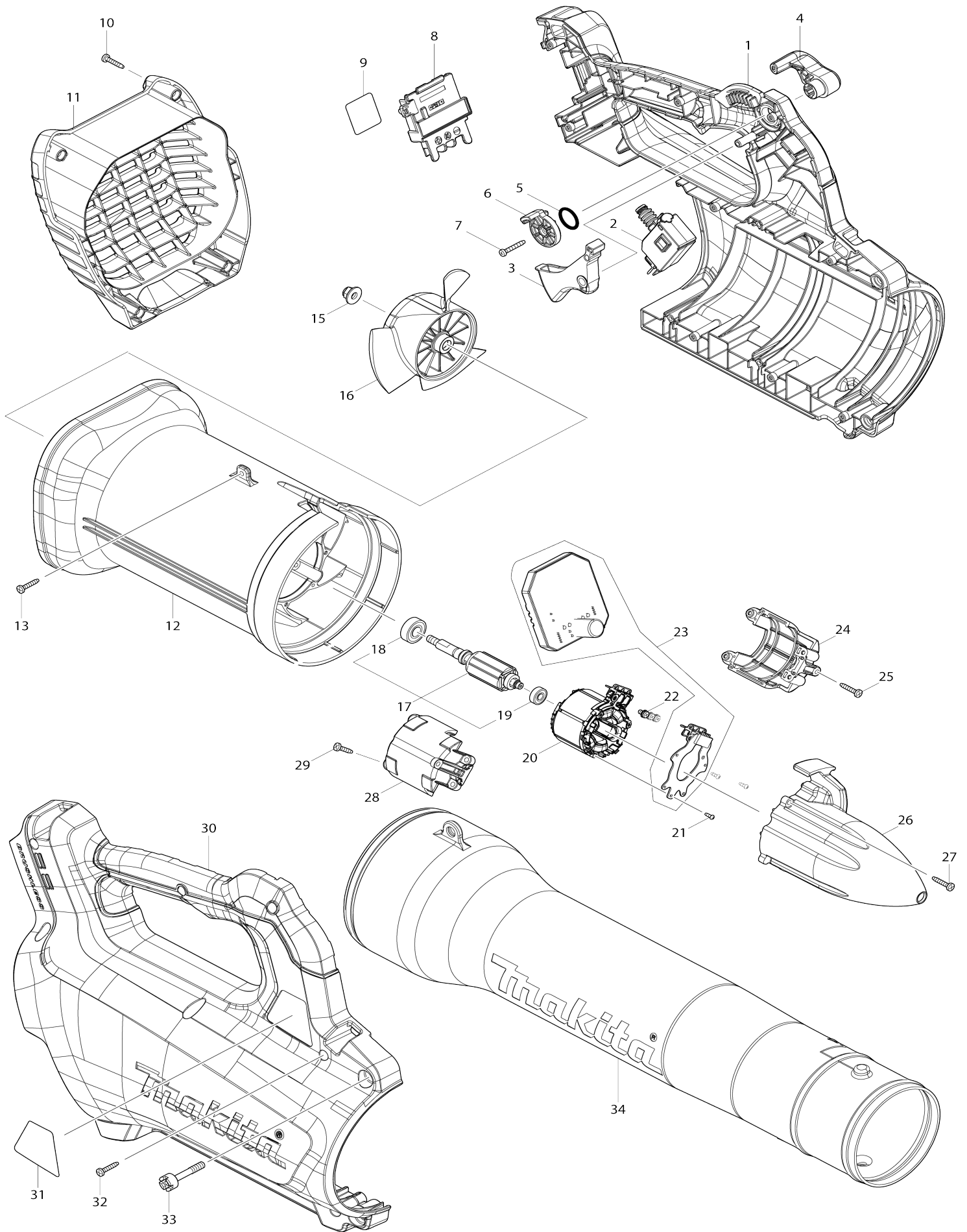


# Model No.DUB184 CORDLESS BLOWER



# Model No.DUB184 CORDLESS BLOWER

Č. pol ožky	Č. dielu	Popis	Zame niteľn osť	Množ.	Nový/ starý	Predajná cena (€)	Nákupná cena(€)	Poznámka 1	Poznámka 2
001	183M74-5	HOUSING SET		1	*				
C10	263005-3	RUBBER PIN 6		2	*				
C20	806D81-4	CAUTION LABEL		1	*				
001		INC. 30			*				
001-1	183N88-0	HOUSING SET	<	1	*				
C10	263005-3	RUBBER PIN 6		2	*				
C20	806D81-4	CAUTION LABEL		1	*				
C21	8011Y4-4	CAUTION LABEL	O	1	*				
001-1		INC. 30			*				
001-2	183N88-0	HOUSING SET	O	1					
C10	263005-3	RUBBER PIN 6		2					
C21	8012T7-9	CAUTION LABEL	O	1					
001-2		INC. 30							
002	651395-0	SWITCH C3JW-6B-PA6N		1					
003	459696-8	SWITCH LEVER		1					
004	459697-6	CONTROL LEVER		1					
005	213154-6	O RING 14		1					
006	459698-4	LINK		1					
007	266127-8	+ TAPPING SCREW PT 3X20		1					
008	643874-2	TERMINAL		1					
009	856D78-3	DUB184 SERIAL NO. LABEL		1					
010	266130-9	TAPPING SCREW BIND PT 3X16		4					
011	459699-2	REAR COVER		1					
012	459695-0	FAN HOUSING		1					
013	266130-9	TAPPING SCREW BIND PT 3X16		3					
015	252286-4	COLLARED HEX.LOCK NUT M5-8		1					
016	240177-1	FAN 110		1					
017	519580-0	ROTOR ASS'Y		1					
017		INC. 18,19							
018	210040-2	BALL BEARING 698LLU		1					
019	211157-4	BALL BEARING 695ZZ		1					
020	629292-8	STATOR		1					
021	266490-9	TAPPING SCREW PT 2X6		3	*				
021-1	265C47-1	TAPPING SCREW PT 2X6	O	3					
022	652069-6	FLAT HEAD SCREW M3X6		3					
023	620B77-7	CONTROLLER		1	*				
023-1	620B77-7	CONTROLLER	O	1					
024	183M64-8	MOTOR HOUSING SET		1					
024		INC. 28							
025	266130-9	TAPPING SCREW BIND PT 3X16		2					
026	459700-3	CAP		1					
027	266130-9	TAPPING SCREW BIND PT 3X16		3					
028	183M64-8	MOTOR HOUSING SET		1					
028		INC. 24							
029	266130-9	TAPPING SCREW BIND PT 3X16		4					
030	183M74-5	HOUSING SET		1	*				
C10	263005-3	RUBBER PIN 6		2	*				
C20	806D81-4	CAUTION LABEL		1	*				

030		INC. 1			*			
030-1	183N88-0	HOUSING SET	<	1	*			
C10	263005-3	RUBBER PIN 6		2	*			
C20	806D81-4	CAUTION LABEL		1	*			
C21	8011Y4-4	CAUTION LABEL	O	1	*			
030-1		INC. 1			*			
030-2	183N88-0	HOUSING SET	O	1				
C10	263005-3	RUBBER PIN 6		2				
C21	8012T7-9	CAUTION LABEL	O	1				
030-2		INC. 1						
031	856D71-7	DUB184 NAME PLATE		1				
032	266130-9	TAPPING SCREW BIND PT 3X16		9				
033	251570-4	HEX.SOCKET HEAD BOLT M5X30		2				
034	459701-1	FRONT NOZZLE		1	*			
034-1	183P96-3	FRONT NOZZLE SET	O	1				
A01	783202-0	HEX. WRENCH 4		1				
A02	166094-6	SHOULDER BELT		1				
A03	456957-7	EXTENSION NOZZLE		1	*			
A03-1	183P97-1	EXTENSION NOZZLE SET	O	1				
A04	456958-5	FLAT NOZZLE		1	*			
A04-1	183P98-9	FLAT NOZZLE SET	O	1				
A05	191B21-6	ADAPTER PIPE 80-72 SET		1	*			
A05-1	191L13-5	ADAPTER PIPE 80-72 SET	<	1				
A07B	***DC18RC	DC18RC FAST CHARGER		1				
A07B		COMPO-PARTS						
A08B	197280-8	BATTERY BL1850B SET		1				
E01	807811-2	SOUND 96DB LABEL		1				
F03	197888-8	EXTENSION NOZZLE SET		1				
F04	197889-6	FLAT NOZZLE SET		1				
F06	191B03-8	GUTTER NOZZLE SET		1				
C10	459816-4	EXTENSION PIPE 72		3				
C20	162790-4	END NOZZLE COMPLETE		1				
C30	281030-2	HOSE CLAMP 75-90		2				
C40	281031-0	HOSE CLAMP 85-100		1				
F07	1915C8-7	Water blowing nozzle set		1				

Pri objednávke zadajte číslo dielu.

Dátum tlače 06. 05. 2025